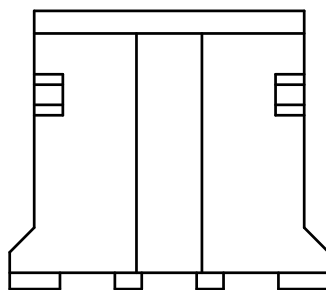
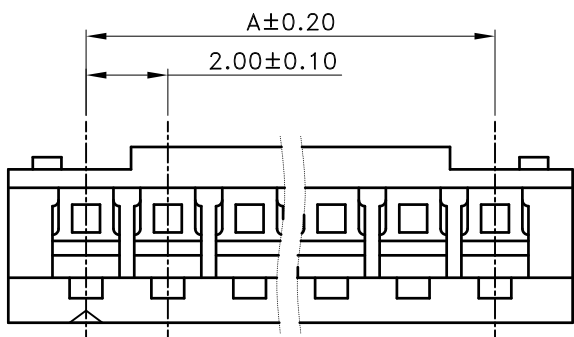
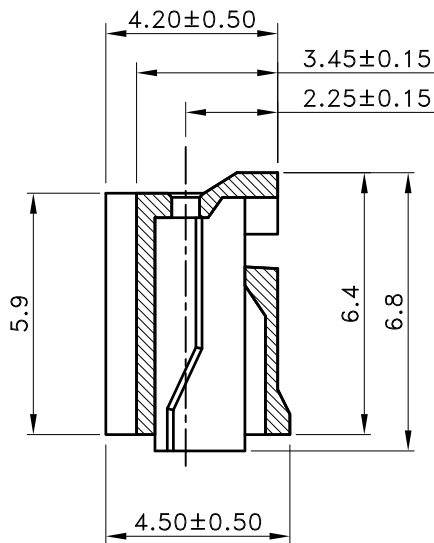
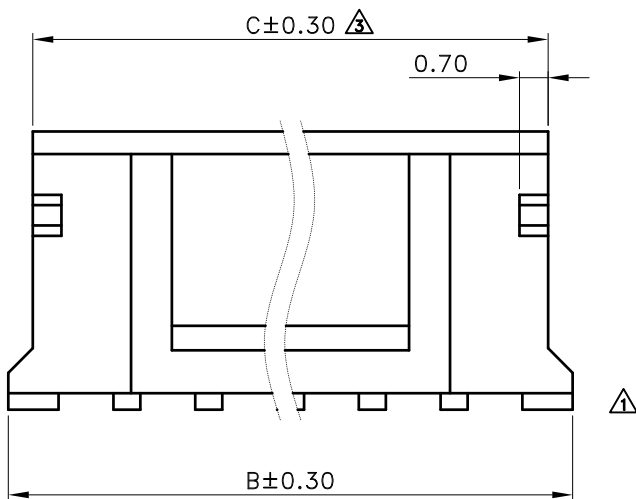
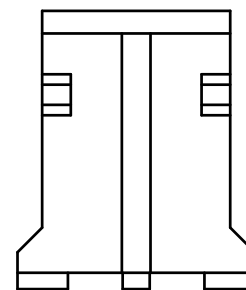


- **SPECIFICATIONS**
- △ Rating Voltage : 100V AC/DC
 - Current Rating : 2A AC/DC
 - Withstanding Voltage : 800V AC/minute
 - Insulation Resistance : 1,000MΩ min
 - Temperature Range : - 25°C to + 85°C
 - Contact Resistance : 20mΩ max

- **HOUSING**
- Part No. : JS-1124-XX
 - Poles : 02~16
 - Materia : Nylon 66 UL94V-0
 - Q' ty : 1,000 pcs/bag



3P APPEARENCE △



2P APPEARENCE

Poles	Dimension(mm)		
	A	B	C
2	2.00	5.80	4.60
3	4.00	7.80	6.60
4	6.00	9.80	8.60
5	8.00	11.80	10.60
6	10.00	13.80	12.60
7	12.00	15.80	14.60
8	14.00	17.80	16.60
9	16.00	19.80	18.60
10	18.00	21.80	20.60
11	20.00	23.80	22.60
12	22.00	25.80	24.60
13	24.00	27.80	26.60
14	26.00	29.80	28.60
15	28.00	31.80	30.60
16	30.00	33.80	32.60



喬訊電子工業股份有限公司
CHYAO SHIUNN
ELECTRONIC INDUSTRIAL LTD.

PART NO JS-1124-XX

2.00mm Wire to Board Connector

APPROVED BY	SCALE	UNIT	TOLERANCE	LTR	REVISION RECORD	NAME	DATE	LTR	REVISION RECORD	NAME	DATE
張育瑞		mm	.0 ±0.30	△	修改原因遺失	余秀麗	2005/05/15	△			
CHECKED BY	PROJ	VER NO.	.00 ±0.20	△	圖面與實物不符	黃科源	2006/10/06	△			
蕭國川	⊕	a7	.000 ±0.10	△	增加C點尺寸	黃科源	2007/05/17	△			
DRAWN BY	DATE	SIZE	ANGLE		修改C點尺寸	黃科源	2007/05/24		CUSTOMER		
吳弘文	2013/01/21	A4	0° ±1°	△	新增3D視圖&互配示意圖	林文泰	2010/02/04				
			0° ±	△	新增2P&3P外觀示意圖	王誠賢	2011/05/20		Conforms to The RoHS Instruction		
			SHEET	1/1	△	新增額定電壓	吳弘文	2013/01/21			