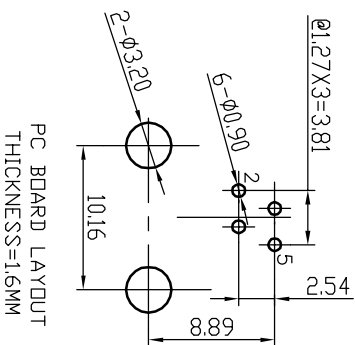
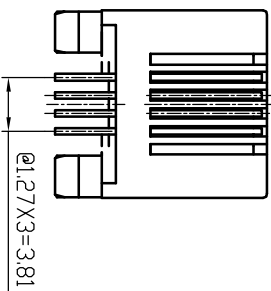
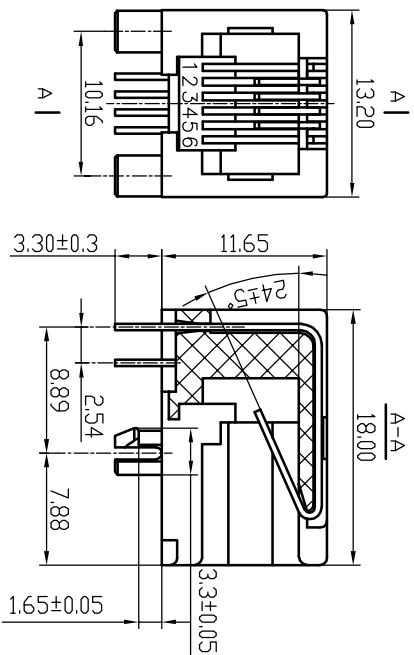


REV.	ECN NO.	DATE
01	ADD P/N	2014.04.04



1 2 3 4

A

B

NOTES:

ELECTRICAL:

- VOLTAGE RATING : 125 VAC RMS.
- CURRENT RATING : 1.5 AMPS@25° C
- CONTACT RESISTANCE : 20 MΩ MIN @500VDC.
- INSULATION RESISTANCE : 1000 MΩ MIN @500VDC.
- WITHSTAND VOLTAGE : 1000 VAC RMS, contact to contact or 1500VDC, contact to screen and test panel @0.5mA 50Hz or 60Hz 1 min.

MECHANICAL:

- HOUSING&INSERT& MATERIAL : PBT/PA66 UI94V-0.
- CONTACT MATERIAL : PHOSPHOR BRONZE  $\phi$ 0.46mm
- CONTACT PLATING : GOLD PLATING OVER NICKEL.
- MATING/UNMATING FORCE: : 30N Max..
- RETENTION STRENGTH : 50N for 60s±5s.
- DURABILITY : 750 CYCLES MIN.

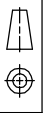
- ENVIRONMENTAL:
- STORAGE TEMPERATURE : -40°C to +85°C RELATIVE HUMIDITY<80%
  - OPERATION TEMPERATURE : -40°C to +85°C
- MATES WITH MODULAR PLUG CONFORMING TO IEC-60603 & TIA-1096
- ROHS PART NUMBER:

P/N	DESCRIPTION	MATERIAL COLOR
10215364A004	RJ11 5321 6P4C(2.3.4.5)/5321 JACK 6P4C C/F	PBT BLACK

Rohs Compliant

**CZT**

温州楚华连接器股份有限公司  
WENZHOU YIHUA CONNECTOR CO.,LTD



A4  
SIZE

SCALE	UNIT	CUSTOMER:
1:1	mm	MODEL NO.:

TOLERANCES	Material:
00~15 ± 0.15	SEE_NOTE
15~30 ± 0.20	Finish:
30~ ± 0.25	SEE_NOTE
ANGLES ±1°	SHEET 1 OF 1

Material:	Designed:	NAME:
SEE_NOTE	Ygq	RJ11 1X1 5321 6P4C JACK
Finish:	Checked:	NAME:
SEE_NOTE		RJ11 1X1 5321 6P4C JACK
SHEET 1 OF 1	Approved:	DWG NO.:
		ES3QWY-1094-9
		PART NO.:
		SEE_NOTE

Material:	Designed:	NAME:
SEE_NOTE	Ygq	RJ11 1X1 5321 6P4C JACK
Finish:	Checked:	NAME:
SEE_NOTE		RJ11 1X1 5321 6P4C JACK
SHEET 1 OF 1	Approved:	DWG NO.:
		ES3QWY-1094-9
		PART NO.:
		SEE_NOTE

Material:	Designed:	NAME:
SEE_NOTE	Ygq	RJ11 1X1 5321 6P4C JACK
Finish:	Checked:	NAME:
SEE_NOTE		RJ11 1X1 5321 6P4C JACK
SHEET 1 OF 1	Approved:	DWG NO.:
		ES3QWY-1094-9
		PART NO.:
		SEE_NOTE

Material:	Designed:	NAME:
SEE_NOTE	Ygq	RJ11 1X1 5321 6P4C JACK
Finish:	Checked:	NAME:
SEE_NOTE		RJ11 1X1 5321 6P4C JACK
SHEET 1 OF 1	Approved:	DWG NO.:
		ES3QWY-1094-9
		PART NO.:
		SEE_NOTE

Material:	Designed:	NAME:
SEE_NOTE	Ygq	RJ11 1X1 5321 6P4C JACK
Finish:	Checked:	NAME:
SEE_NOTE		RJ11 1X1 5321 6P4C JACK
SHEET 1 OF 1	Approved:	DWG NO.:
		ES3QWY-1094-9
		PART NO.:
		SEE_NOTE

Material:	Designed:	NAME:
SEE_NOTE	Ygq	RJ11 1X1 5321 6P4C JACK
Finish:	Checked:	NAME:
SEE_NOTE		RJ11 1X1 5321 6P4C JACK
SHEET 1 OF 1	Approved:	DWG NO.:
		ES3QWY-1094-9
		PART NO.:
		SEE_NOTE

Material:	Designed:	NAME:
SEE_NOTE	Ygq	RJ11 1X1 5321 6P4C JACK
Finish:	Checked:	NAME:
SEE_NOTE		RJ11 1X1 5321 6P4C JACK
SHEET 1 OF 1	Approved:	DWG NO.:
		ES3QWY-1094-9
		PART NO.:
		SEE_NOTE

Material:	Designed:	NAME:
SEE_NOTE	Ygq	RJ11 1X1 5321 6P4C JACK
Finish:	Checked:	NAME:
SEE_NOTE		RJ11 1X1 5321 6P4C JACK
SHEET 1 OF 1	Approved:	DWG NO.:
		ES3QWY-1094-9
		PART NO.:
		SEE_NOTE

D

C

D

C

1 2 3 4