

MARITEX SW-M21

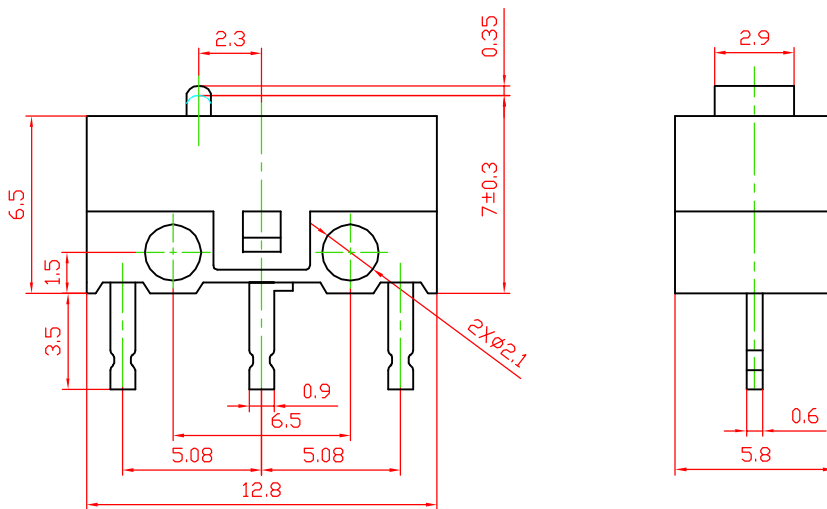
Micro Switches

<TYPE>: MSW-21

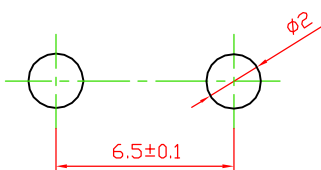
Specification

- 1.(Rating): 1A 125/250V AC
- 2.(Contact R): 30 OHM \Rightarrow max
- 3.(Insulation R): 250V DC 100 OHM \Rightarrow min
- 4.(Dielectric Strength): 1 Minute 1000V AC
- 5.(Ambient Temperature): $-25^{\circ}\text{C}+65^{\circ}\text{C}$
- 6.(Electrical Life): 30.000 Cycles

Outline Drawing



Mounting



Circuitry

