



Features

- Projected Capacitive Touch Supports Multi-touch
- Onboard Intel® Atom™ Dual-Core D525 1.8GHz CPU
- Intel® ICH8-M Chipset
- 1 Gigabit Ethernet, 2 x 1W Speaker
- 1 CF, 4 USB, 2 COM, 1 Mini-PCle
- Wide Voltage +12V ~ +28V Input, ErP Power
- Flush Touch Screen Enables Easy Cleaning
- Lockable OSD Buttons

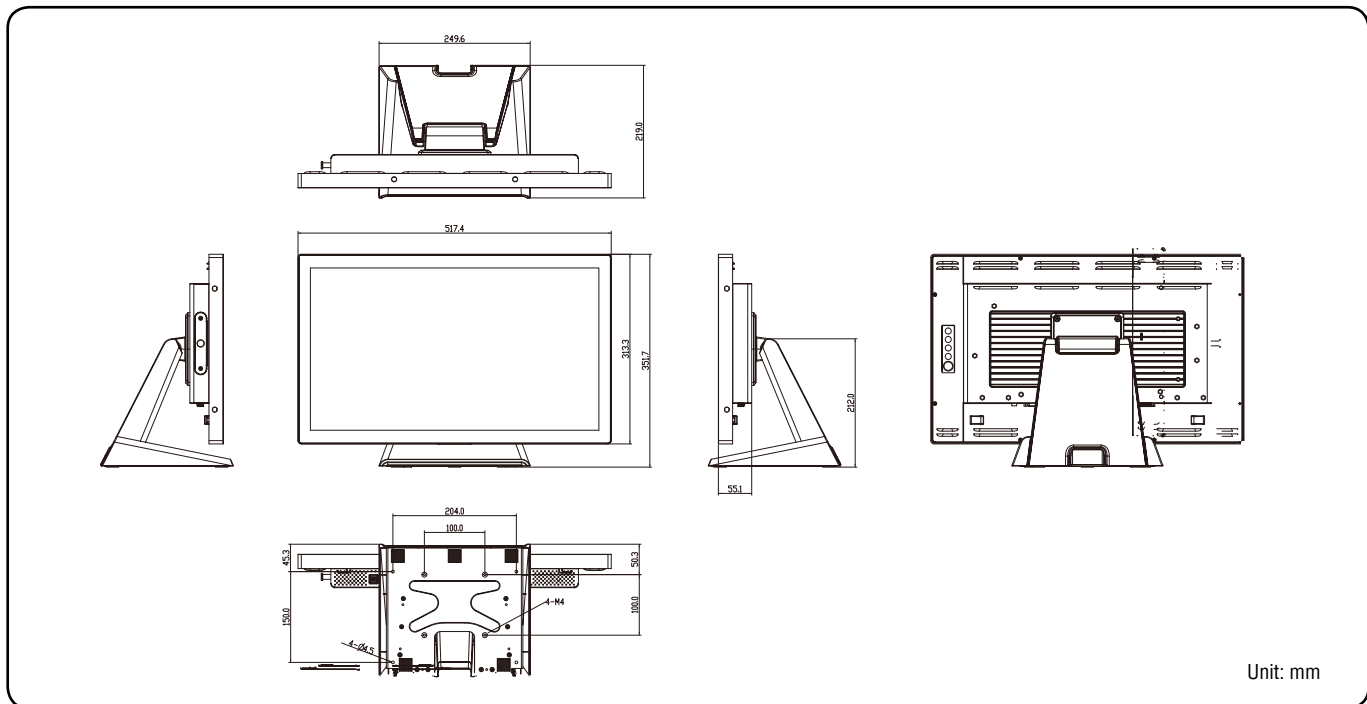


Specifications

Model Name	APC-21W5
• LCD Size	21.5", 16:9
• Resolution, Color	1920 x 1080 FHD, 16.7M
• Pixel Pitch	0.248mm (H) x 0.248mm (V)
• Luminance	250cd/m ²
• Contrast Ratio	1000
• Viewing Angle	80 (U), 80 (D), 85 (L), 85 (R)
• Response Time	5ms
• Backlight	LED
• Touch Screen	Projected Capacitive Touch Supports Multi-touch
• Light Transmission	90%
• Touch Interface	USB
System	
• Board	EBM-PNV
• CPU	Onboard Intel® Atom™ D525 Dual-Core 1.8GHz CPU
• System Chipset	Intel® ICH8-M Chipset
• I/O Chip	Nuvoton W83627DHG-P
• System Memory	One 204-pin DDR3 SODIMM Supports Up to 4GB DDR3 800MHz SDRAM
• SSD	One CF Socket Supports Type I/II Compact Flash Card
• Hard Drive Bay	One 2.5" SATA HDD/ SSD
• WiFi	Optional USB or Mini PCIe WiFi Module
• Watchdog Timer	Reset: 1 ~ 255min. and 1sec. or 1min./step
• H/W Status Monitor	Monitoring System Temperature, Voltage, with Auto Throttling Control
• Expansion	1 x Mini PCIe
Rear Panel I/O	
• Serial Port	2 x RS-232/422/485 (Selected by Jumper)
• Ethernet	1 x RJ-45 (Intel® 82574L Gigabit Ethernet, Optional Dual 82574L Gigabit Ethernet)
• VGA	1 x DB-15
• Audio	1 x Line-out (Realtek ALC888 Supports 5.1-CH Audio)
• USB	4 x USB 2.0
• Mouse & K/B	1 x PS/2 KB & MS
• Speaker	2 x 1W Speaker



Diagram



Environment & Mechanical

• Color	Front & Rear Black
• Mounting	Wall/ Stand/ VESA 100mm X 100mm
• System Power Requirement	+12V ~ +28V DC Power Input
• Power Adapter	Input: 100 ~ 250VAC/ 47 ~ 63Hz Output: 84W Adapter (12V @ 7A Adapter)
• Operating Temperature	0 ~ 40°C (32 ~ 104°F)
• Storage Temperature	-20 ~ 75°C (-4 ~ 167°F)
• Relative Humidity	5% ~ 90% Relative Humidity, Non-condensing
• Dimensions (W x D x H)	517.4mm x 313.3mm x 55.1mm
• Weight	8.6Kgs

1
LPC
Series

2
APC
Series

3
PPC
Series

4
FPC
Series

5
MPC
Series

6
OPM
Series

7
SPC
Series

8
MTP
Series

9
RISC
Series

10
ACC

Ordering Information

- **APC-21W5**
21.5" FHD TFT Fanless Plastic Multi-Touch Full Flat Panel PC with Intel® Atom™ D525 Dual-Core 1.8GHz CPU, 160GB SATA HDD
- **ACC-CF-XX**
CompactFlash Card Series (xx=Capacity, Capacity Option: 128, 256, 512MB, 1, 2, 4, 8GB)