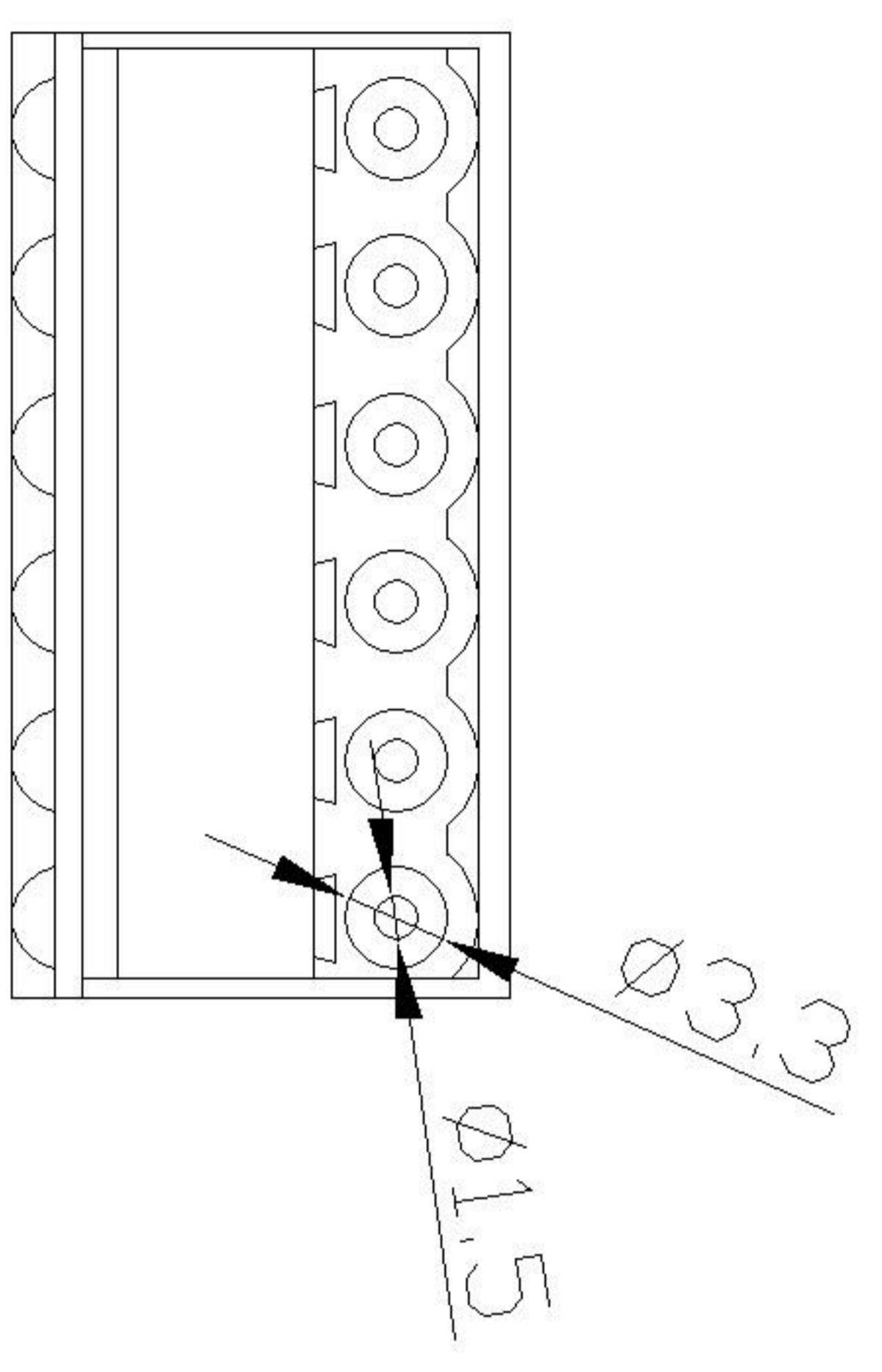
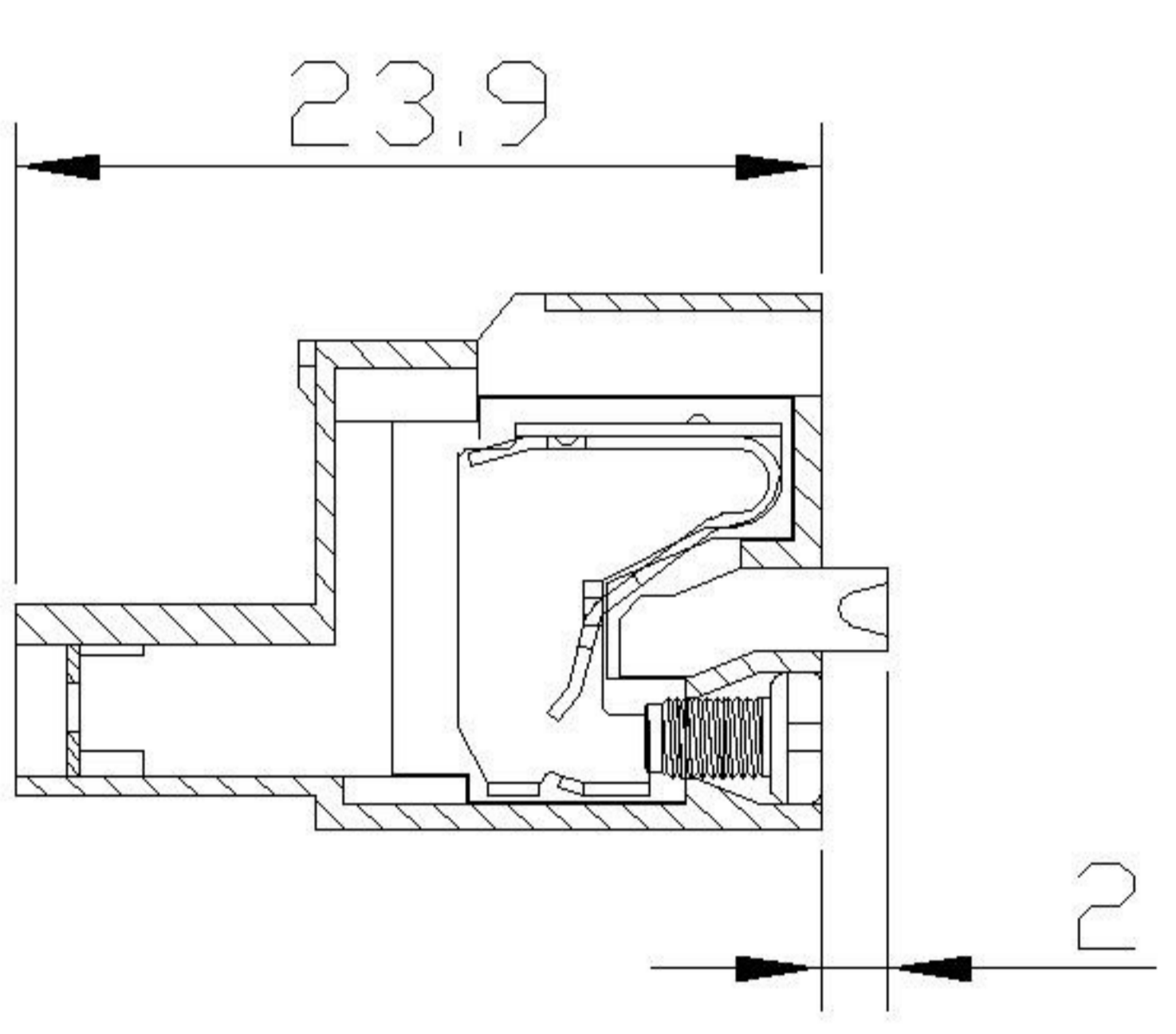
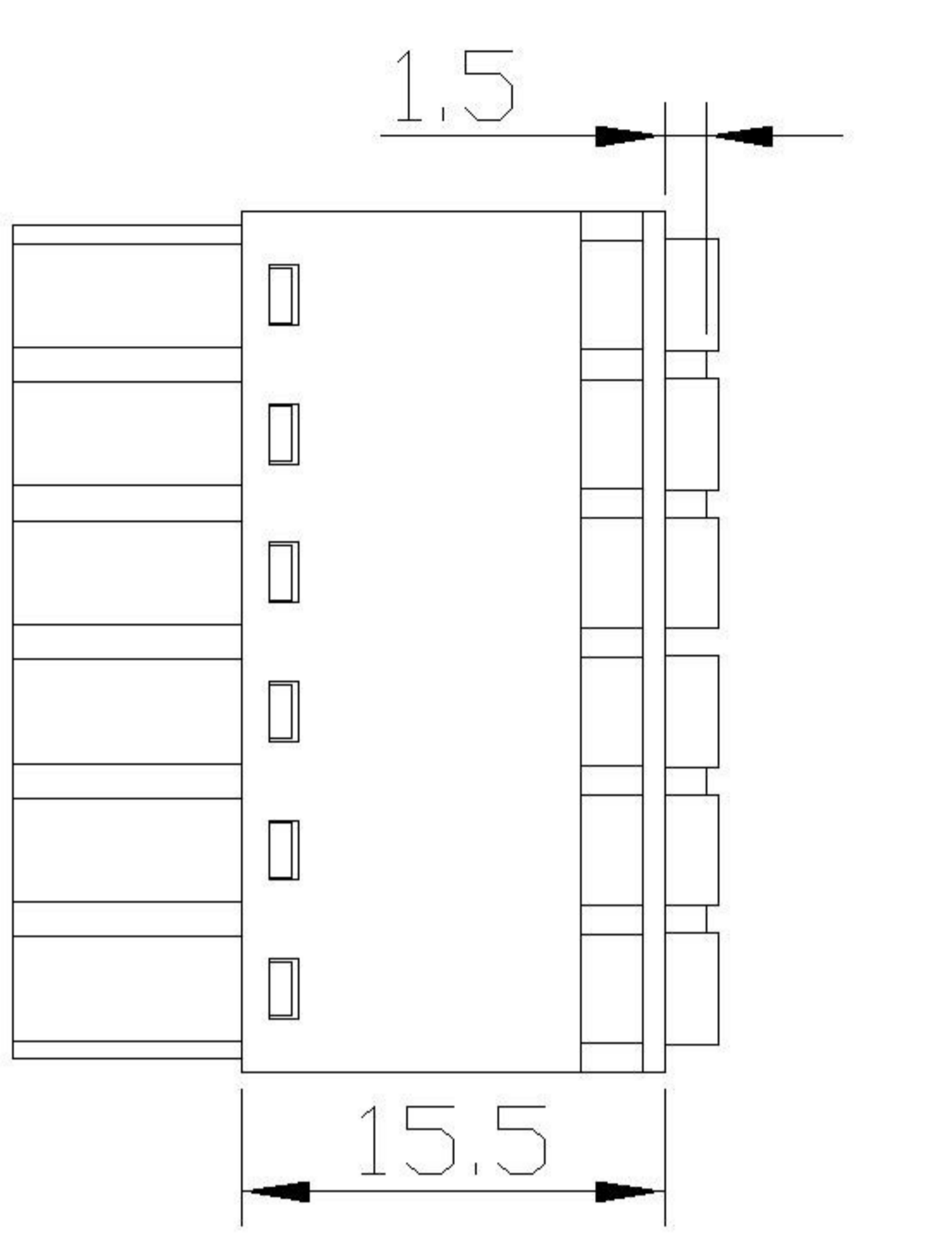
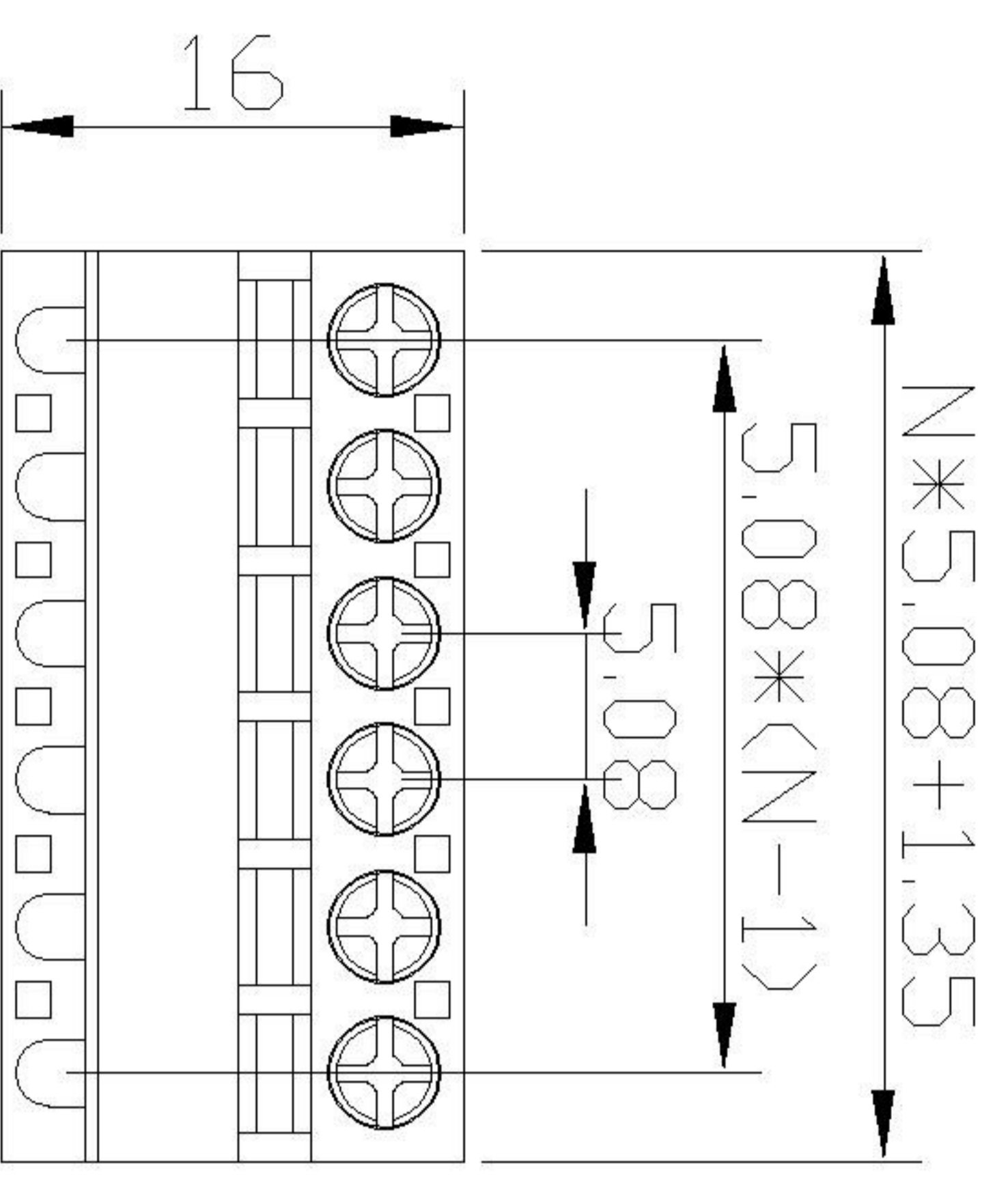


REV.	DESCRIPTION	DRAWN	CHECKED	APPROVED
A				




·MATERIAL
 CONTACT : PHOSPHOR BRONZE
 HOUSING : PA66, UL94V-0

·ELECTRICAL
 RATED VOLTAGE : 300V
 RATED CURRENT : 10A
 CONTACT RESISTANCE : 20mΩ
 INSULATION RESISTANCE : 5000MΩ/1000V
 WITHSTANDING VOLTAGE : AC1500V/1Min
 WIRE RANGE : 24-12AWG 2.5mm²

·MECHANICAL
 TEMP. RANGE : -40°C ~ +105°C
 MAX SOLDREING : +250°C, FOR 5 SEC.
 STRUO LEBGTG : 10-11mm

GENERAL TOLERANCE		ANGLE TOLERANCE		PROJECTION	TITLE
X.	±0.20	X.	±2°	mm	Pruggalbe Terminal
.X	±0.15	.X	±1°		Blocks5.08mm
.XX	±0.10	.XX	±0.5°		KF2EDG-5.08 SERIES
DRAWING TYPE		SCALE		SHEET SIZE	
		1:1		A4	
DRAWING NO.		SHEET		SERIES	
		1 OF 1		KF2EDG-5.08 SERIES	

KALFENG ELECTRONIC

慈溪市凯峰电子有限公司
 KAIFENG ELECTRONIC CO.,LTD