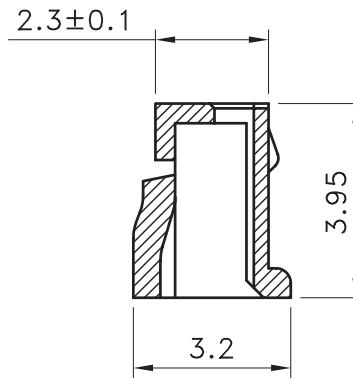
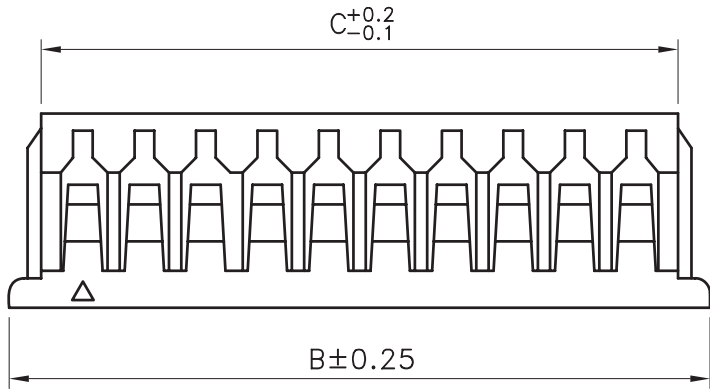
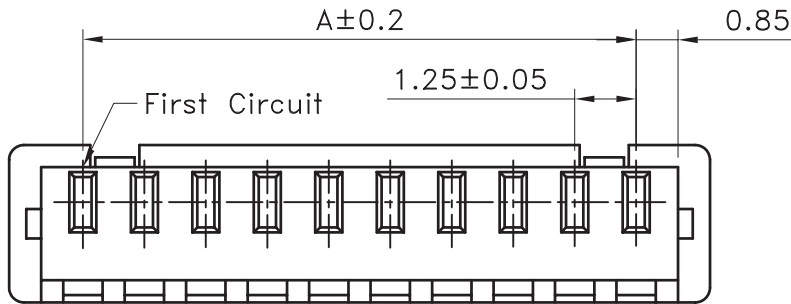


3 Circuit

2 Circuit



■ SPECIFICATIONS

- Voltage Rating : 125V AC/DC
- Current Rating : 1A AC/DC
- Withstanding Voltage : 250V AC /minute
- Insulation Resistance : 100MΩ min
- Temperature Range : - 40°C to + 85°C
- Contact Resistance : 20mΩ max

■ RECEPTACLE HOUSING

- Part No. : JS-1146-XX
- Poles : 2 - 15
- Material : Nylon 66 UL94V-0
- Q' ty : 1,000 Pcs./Bag

Poles	Part No.	Dimensions (mm)		
		A	B	C
2	JS-1146-02	1.25	4.25	2.95
3	JS-1146-03	2.50	5.50	4.20
4	JS-1146-04	3.75	6.75	5.45
5	JS-1146-05	5.00	8.00	6.70
6	JS-1146-06	6.25	9.25	7.95
7	JS-1146-07	7.50	10.50	9.20
8	JS-1146-08	8.75	11.75	10.45
9	JS-1146-09	10.00	13.00	11.70
10	JS-1146-10	11.25	14.25	12.95
11	JS-1146-11	12.50	15.50	14.20
12	JS-1146-12	13.75	16.75	15.45
13	JS-1146-13	15.00	18.00	16.70
14	JS-1146-14	16.25	19.25	17.95
15	JS-1146-15	17.50	20.50	19.20



喬訊電子工業股份有限公司

CHYAO SHIUNN
ELECTRONIC INDUSTRIAL LTD.

APPROVED BY

林宗

SCALE

PROJ

UNIT

mm

TOLERANCE

.0 ±0.3 ECR

.00 ±0.2 ECR

.000 ±0.1 ECR

ALL ± ECR

ANGLE ECR

0° ± ECR

.0° ±

LTR

RoHS compliant

DG 200612-005

ECR

200807-005

200811-002

200812-006

REVISION RECORD

DATE

06/04/01

06/12/14

07/04/16

08/07/03

08/11/03

08/12/05

DATE

LTR

REVISION RECORD

DATE

PART NO

JS-1146-XX

DRAWN BY

黃科源

DATE

2008/12/05

SIZE

A4

CUSTOMER

Conforms to The RoHS Instruction

1.25mm Crimp Style Connectors Receptacle Housing