

**■ SPECIFICATIONS**

- Current Rating: 7A AC/DC
- Withstanding Voltage : 1500V AC/minute
- Insulation Resistance : 1,000M Ω min
- Temperature Range : - 25°C to + 105°C ⚠
- Contact Resistance : 20m Ω max

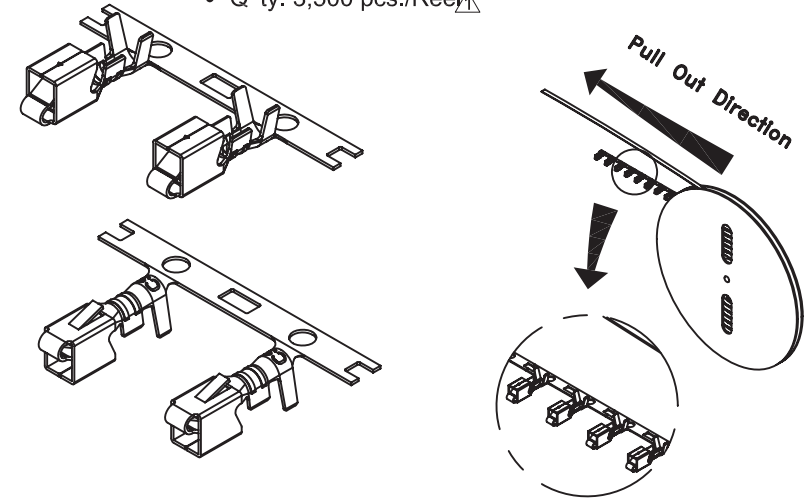
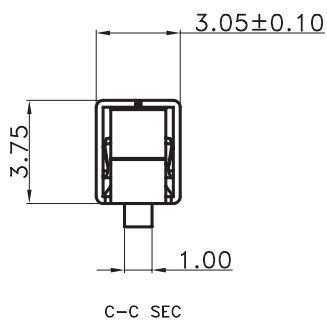
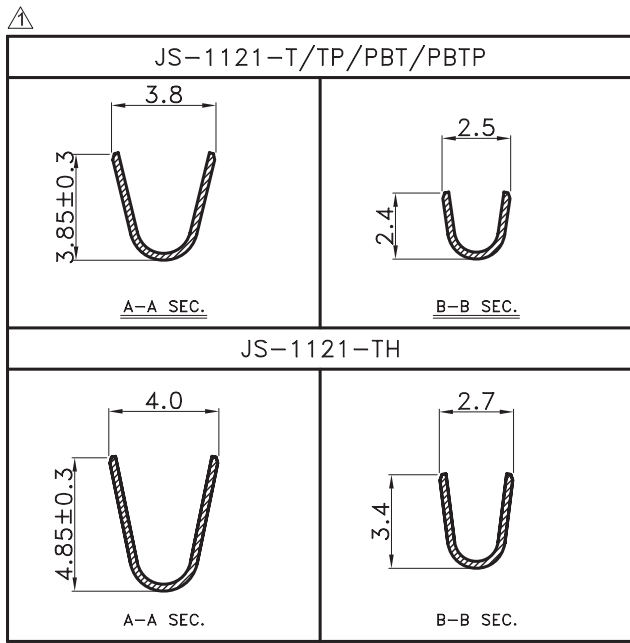
**■ TERMINAL**

• Part No. :

JS-1121-XXXX ⚠

- T : Standard Process, Brass
- PBT: Standard Process, Phos. Bronze
- TH : High Crimp, Brass
- TP : Stamping before Plated, Brass
- PBTP : Stamping before Plated, Phos. Bronze

- Applicable Wires: ⚠
  1. Standard : AWG# 18 ~ 22
  2. High Crimp : AWG# 16 ~ 20
- Material :Refer the above narrative
- Plated : Tin Plated
- Thickness : 0.25mm
- Mating Housing : JS-1121-XX
- Mating Wafer : JS-1120-XX, JS-1120R-XX
- Q' ty: 3,500 pcs./Reel ⚠



**CS** 喬訊電子工業股份有限公司  
 CHYAO SHIUNN  
 ELECTRONIC INDUSTRIAL LTD.

APPROVED BY	SCALE	UNIT	TOLERANCE	LTR	REVISION RECORD	NAME	DATE	LTR	REVISION RECORD	NAME	DATE
張育瑞		mm	.0 ±0.30	⚠	A、B剖面重新調整及修正包裝數量	王誠賢	10/09/28				
CHECKED BY	PROJ	VER NO.	.00 ±0.20	⚠	修改最高工作溫度	吳沛倫	10/10/27				
黃科源		a8	.000 ±0.10								
DRAWN BY	DATE	SIZE	ANGLE								
吳沛倫	2010/09/28	A4	0° ±1°								
			.0° ±								
			SHEET	1/1							

PART NO JS-1121-T  
 3.96mm Crimp Style Connectors Terminal

CUSTOMER  
 Conforms to The RoHS Instruction