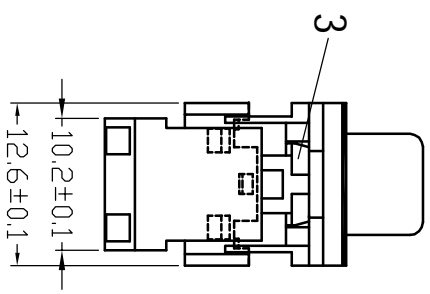
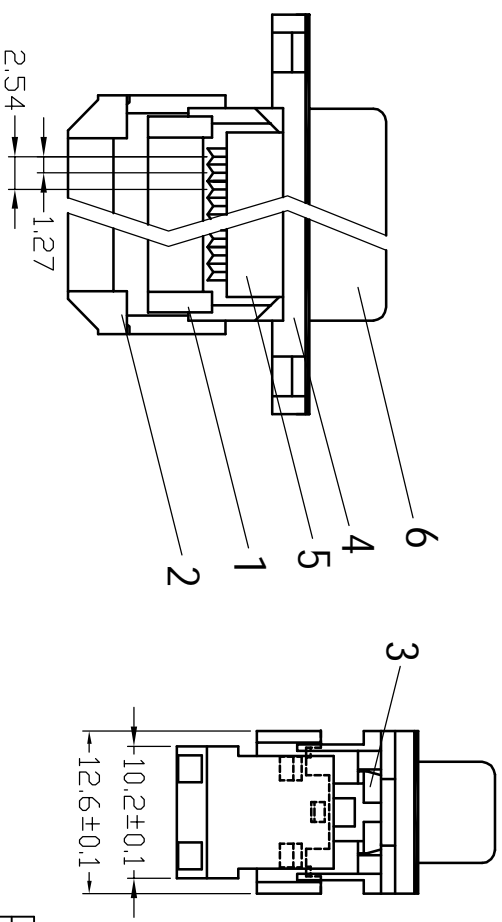
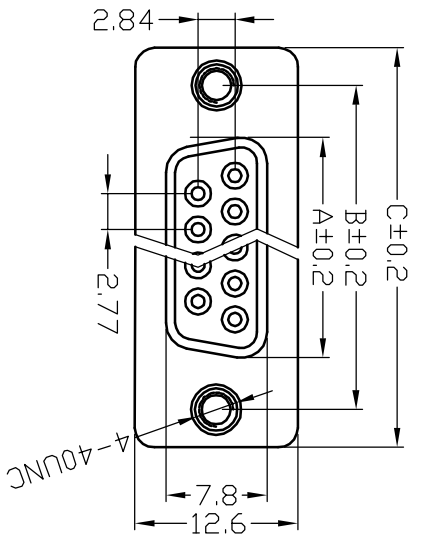


序号/Rev.No.	名称/Title	文件编号/File No.
1	103中盖	
2	103反折盖	
3	103后盖	
4	103F塑件主体	
5	103F端子	
6	铁壳	



Position	A	B	C
9	16.20	24.99	30.81
15	24.66	33.32	39.20
25	38.65	47.04	53.10
37	54.84	63.50	69.50

Specifications:
 Contact Resistance: 30mΩ max. at DC 100 mA
 Insulator Resistance: 1000MΩ min. at DC 500V
 Current Rating: 5AMP
 Dielectric Withstanding
 Voltage: AC 500V For 1 minute
 Operating Temperature: -55°C--+105°C
 Contact: Brass
 Housing: PBT &30% Glass Fiber (UL 94V-0)

序号/Rev.No. 更改记录/Revision note 签名/Signature 日期/Date

设计/Designed by 绘图/Drawn by 审核/Checked by 批准/Approved by

文件编号/File No. 103F-A 产品图 页序/Sheet

备注/Remark

单位/Units: mm

公差/General Tolerance: X: ±0.2, .X: ±0.1, .XX: ±0.05, .XXX: ±0.01

新亚电子 XI NVA ELECTRONIC CO., LTD