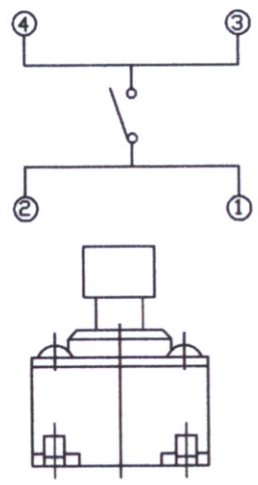
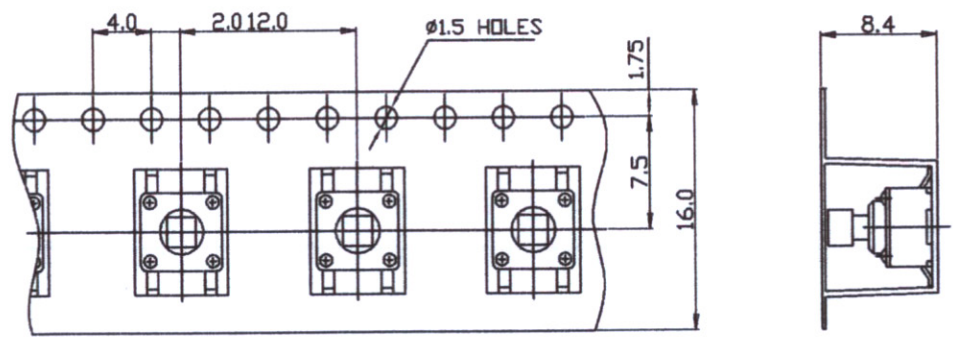
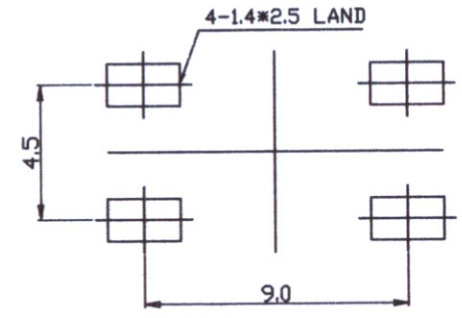


CIRCUIT DIAGRAM



PRINTED CIRCUIT BOARD MOUNTING HOLE DIMENSIONS AND PATTERN DIMENSIONS (WHEN VIEWED FROM SWITCH MOUNTING FACE)



NOTE

1. OPERATING FORCE : 160±30gf,250gf±250gf
2. TRAVEL : 0.25^{+0.2}/_{-0.1} m/m
3. CONTACT RESISTANCE : 100mΩ MAX
4. GENERAL TOLERANCE : ±0.3
5. THE QUANTITY PACKAGED PER REEL IS 1200PCS
6. L : 7.3

PART NO	PART NAME	Q'TY	MATERIAL	STANDARD	DISPOSITION	REMARKS
△			TRIGON- OMETRY	UNIT SCALE 5 / 1	TACT SWITCHES	
△			APPD	CHKD	DSGD	
△					MODEL	INT-1102ST90A
NO	CORRECTION					