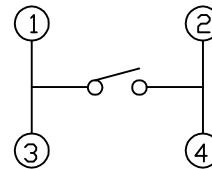
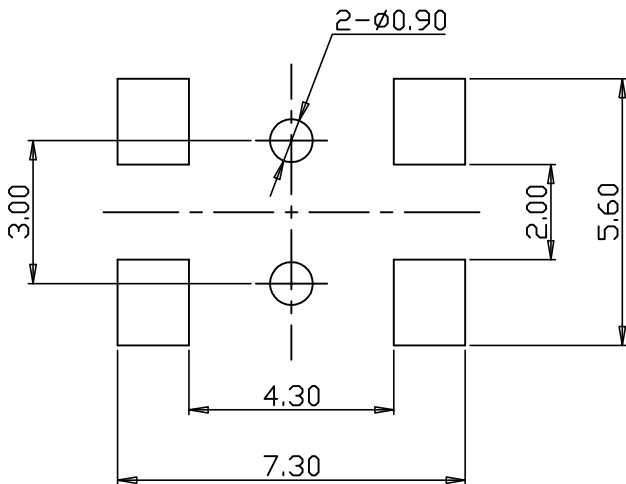


CIRCUIT DIAGRAM



P.B.C LAND DIMENSION



NOTE

- 1.RATING : DC 12V 50mA MAX
- 2.TRAVEL : 0.3 ± 0.5mm
- 3.OPERATING FORCE : 220±70gf
- 4.CONTACT RESISTANCE : 100mΩ MAX
- 5.LIFE : 50,000 CYCLES MIN
- 6.GENERAL TOLERANCE : ±0.3

NO	DESCRIPTION	MATERIAL	SPECIFICATION	TREATMENT	REMARK
4			APPROVAL	CHECK	DESIGN
3					S/W TYPE
2					TACT SWITCH
1					MODEL NO
MARK	DATE	REVISIONS	SIGN		INT-1200E
					DRAW' NO