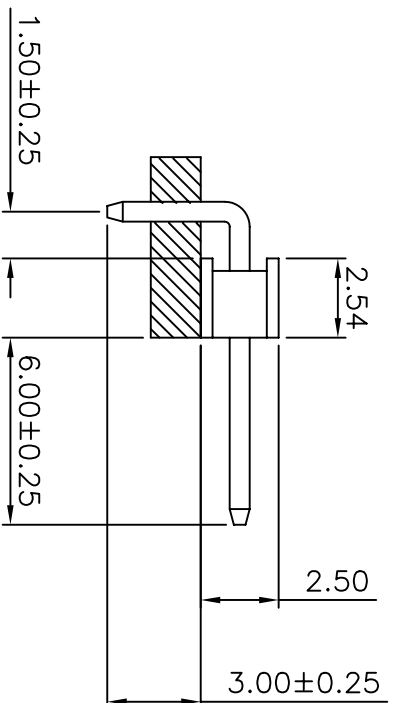
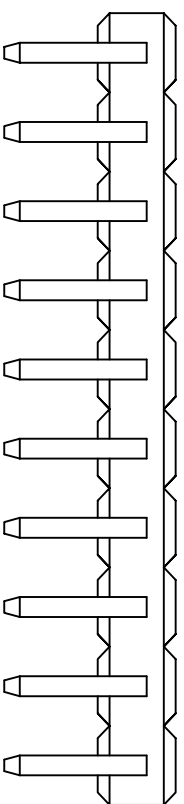
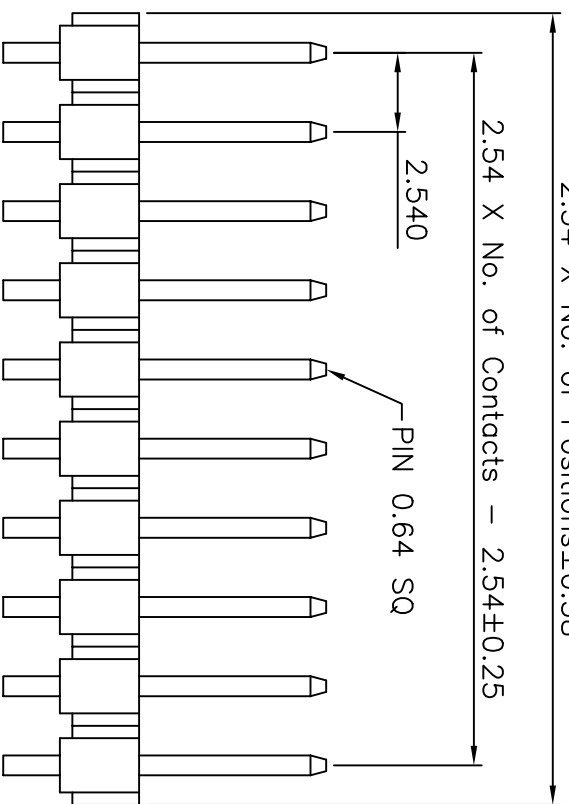


2.54 X No. of Positions ± 0.38

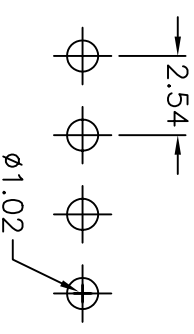
2.54 X No. of Contacts - 2.54 ± 0.25

2.540

PIN 0.64 SQ



Recommended P.C.Board  
Hole Layout



**Ordering Information**

G PHB101 - XX XX A 02

No. of Pins per Row  
02-40

Contact Plating  
01=Tin  
02=Gold Flash  
Duplex plating  
05=Gold Flash /Tin

**Specifications**  
 Current Rating: 3Amp  
 Insulation Resistance: 1000MΩ Min.  
 Dielectric Withstanding: 600V AC/DC  
 Contact Resistance: 20mΩ Max.  
 Operating Temperature: -40°C to +105°C

**Materials**

Contact Material: Copper Alloy  
 Insulation Material: Polyester, UL 94V-0  
 P.B.T

All materials must be GP materials

格稜股份有限公司  
**Greencom Corporation**

**GENERAL TOLERANCE**

X. ± 5°	X. ° ±
X. ± 2°	X. ± 0.38
XX. ± 1°	XX. ± 0.25
XXX. ± 0.5°	XXX. ± 0.13

**DRAWN** LENGJIANJUN

**CHECK**

**APPROVE**

**DATE** 08-27-04'

**DATE**

**DATE**

**DWG. NO.**  
G PHB101-A02

**PART NO.**  
G PHB101 - XX XX A 02

**TITLE**  
2.54 PIN HEADER  
SINGLE ROW R/A TYPE  
BASE 2.50H

REV.	UNIT	SCALE	SYMBOL
01	mm	4=1	