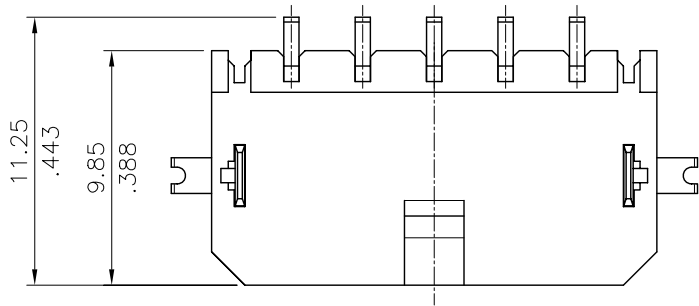


Material:

* Insulation: Nylon 6T 94V-0, Color Black

* Contact: Brass

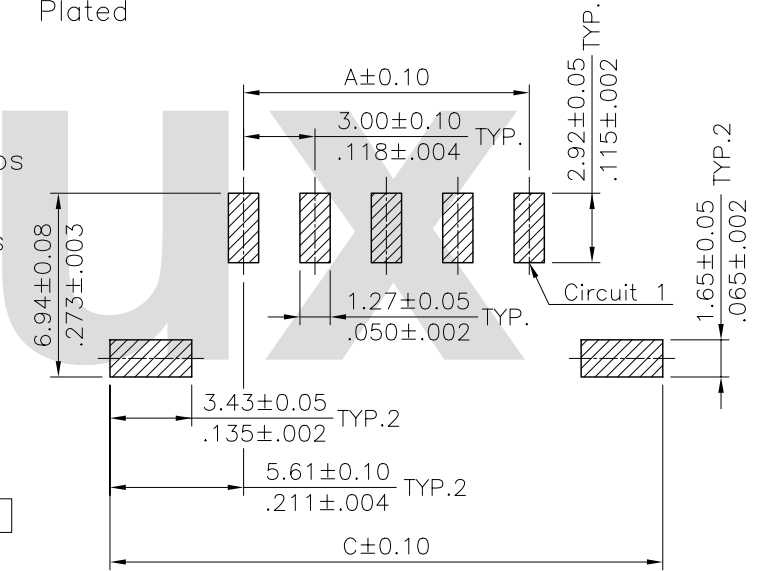
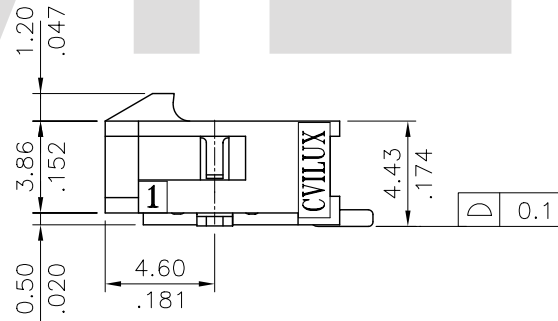
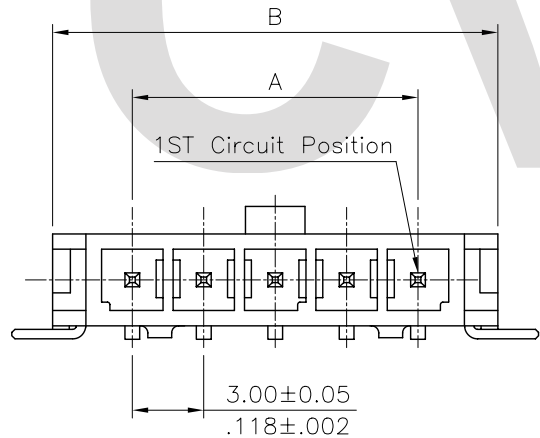


Ordering Code:

CP35 ^① ** ^② P ^③ * H ^④ S ^⑤ T - ^⑥ S - ^⑦ LF

- ① Series No.
- ② No. of Circuits: 02~12
- ③ Contact type: P= Plug
- ④ Contact plated:
 - 1 = Matte Tin Plated over Nickel
 - A = Selective Gold Flash Plated over 1.27μm(50μ") Nickel
 - B = Selective 0.38μm(15μ") Gold Plated over 1.27μm(50μ") Nickel
 - C = Selective 0.76μm(30μ") Gold Plated over 1.27μm(50μ") Nickel
- ⑤ H= Right angle type
- ⑥ Mount type : S= SMT Type
- ⑦ Other options: T= With Fixed Tabs
- ⑧ S= Single Row Header
- ⑨ LF= Lead Free soldering process


CIRCUITS	DIM.A	DIM.B	DIM.C
2	3.00(.118)	9.65(.380)	14.2(.559)
3	6.00(.236)	12.65(.498)	17.2(.677)
4	9.00(.354)	15.65(.616)	20.2(.795)
5	12.00(.472)	18.65(.734)	23.2(.913)
6	15.00(.591)	21.65(.852)	26.2(1.031)
7	18.00(.709)	24.65(.970)	29.2(1.150)
8	21.00(.827)	27.65(1.089)	32.2(1.268)
9	24.00(.945)	30.65(1.207)	35.2(1.386)
10	27.00(1.063)	33.65(1.325)	38.2(1.504)
11	30.00(1.181)	36.65(1.443)	41.2(1.622)
12	33.00(1.299)	39.65(1.561)	44.2(1.740)



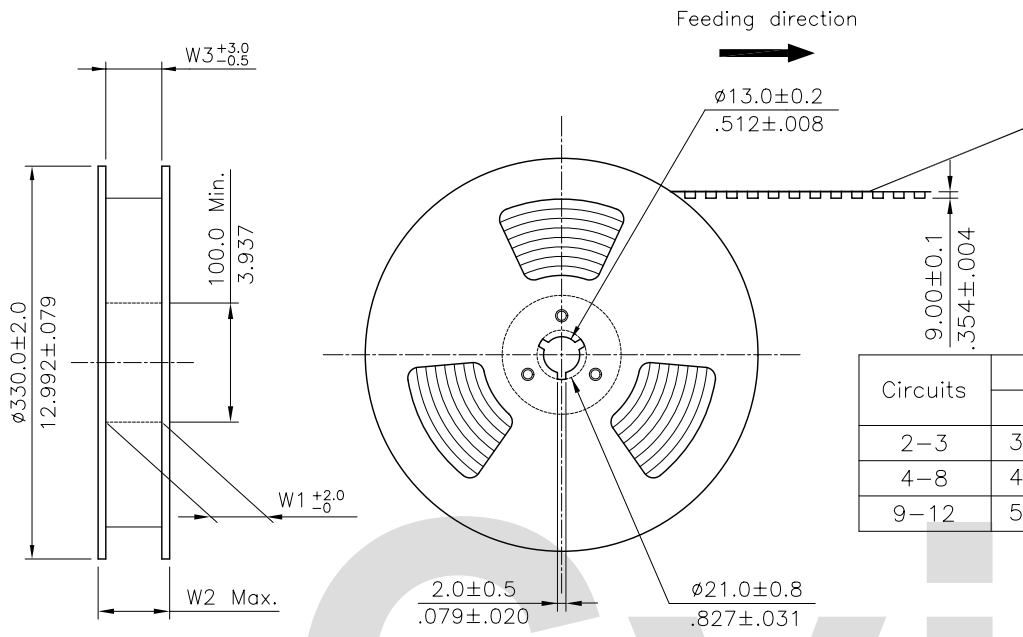
Recommended P.C. Board Layout

Lead Free Process

RoHS Compliant

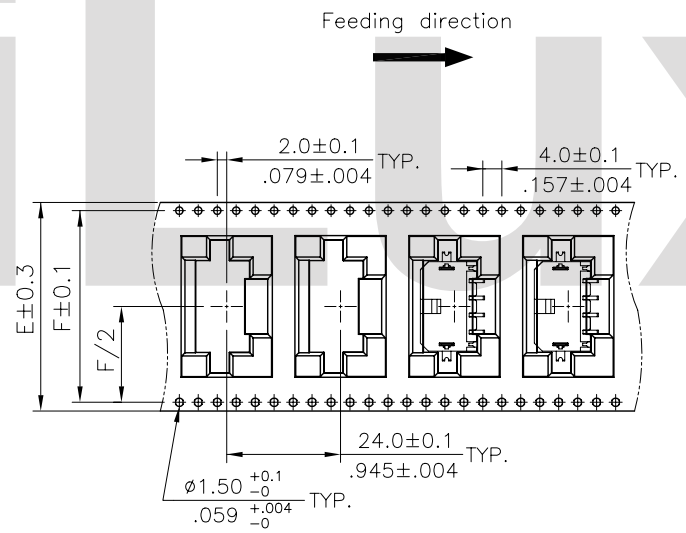
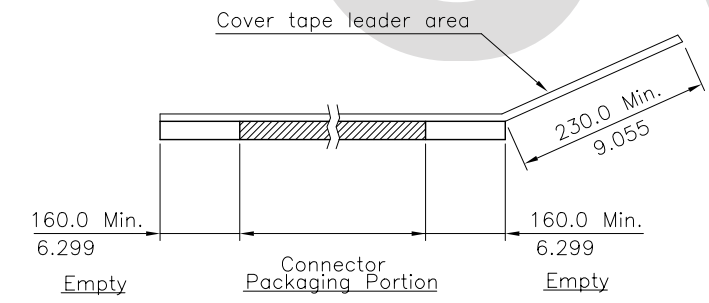
SYM	NAME	DATE	REVISIONS	APPROVED BY:	DATE	UNIT: mm / inch	TITLE: 3.00mm PITCH RIGHT ANGLE SMT TYPE POWER CONN.	 瀚荃股份有限公司 CviLux Corporation
④	Sun	9/30-08'	ECR08113-1/ECN08475					
③	Eager	11/15-07'	ECN07471	DRAWN BY:	Sun	9/30-08'	TOLERANCE UNLESS OTHERWISE SPECIFIED	DRAWING NO. CP3566SD PART NO. CP35**P*HST-S-LF SCALE 3 / 1 SHEET 1 OF 2
②	Eager	11/09-07'	ECN07463	ENGINEER:	Eisley	10/1-08'	.X ± 0.30/.012 X' ± 1'	
①	Eager	10/04-07'	ECN07414	CHECKED BY:	David	10/1-08'	.XX ± 0.20/.008 .X' ±	
				APPROVED BY:	Alex	10/1-08'	.XXX ± 0.10/.004 .XX' ±	





- NOTE :
- * Reel Material : HIPS
 - * Carrier Material : Transparent,Conductive Polystyrene Alloy
 - * Cover Tape Material : Polyester
 - * Cover Tape Peel Strength : 0.1N – 1.3N
 - * Carrier camber is within 1mm in 250mm
 - * All dimensions meet EIA-481-B requirements.
 - * Quantity : 320 PCS/Reel

Circuits	Dimension					Packing (Reel/Caton)
	E	F	W1	W2	W3	
2-3	32.0(1.260)	28.40(1.118)	32.5(1.280)	38.5(1.516)	32.5(1.280)	7
4-8	44.0(1.732)	40.40(1.596)	44.5(1.752)	50.5(1.988)	44.5(1.752)	5
9-12	56.0(2.205)	52.40(2.063)	56.5(2.224)	62.5(2.461)	56.5(2.224)	4



WIDTH : 32,44,56 mm Carrier

RoHS Compliant

4	Sun	9/30-08'	ECR08113-1/ECN08475		DATE	UNIT: mm / inch	TITLE: 3.00mm PITCH RIGHT ANGLE SMT TYPE POWER CONN.	 瀚荃股份有限公司 CviLux Corporation	
3	Eager	11/15-07'	ECN07471		DRAWN BY: Sun	9/30-08'	TOLERANCE UNLESS OTHERWISE SPECIFIED		MATERIAL:
2	Eager	11/09-07'	ECN07463		ENGINEER: Eisley	10/1-08'	.X ± .X' ± 1'		CUSTOMER:
1	Eager	10/04-07'	ECN07414		CHECKED BY: David	10/1-08'	.XX ± .X' ±	DRAWING NO. CP3566SD	PART NO. CP35**P*HST-S-LF
SYM	NAME	DATE	REVISIONS		APPROVED BY: Alex	10/1-08'	.XXX ± .XX' ±	SCALE	SHEET 2 OF 2