

MATERIALS:

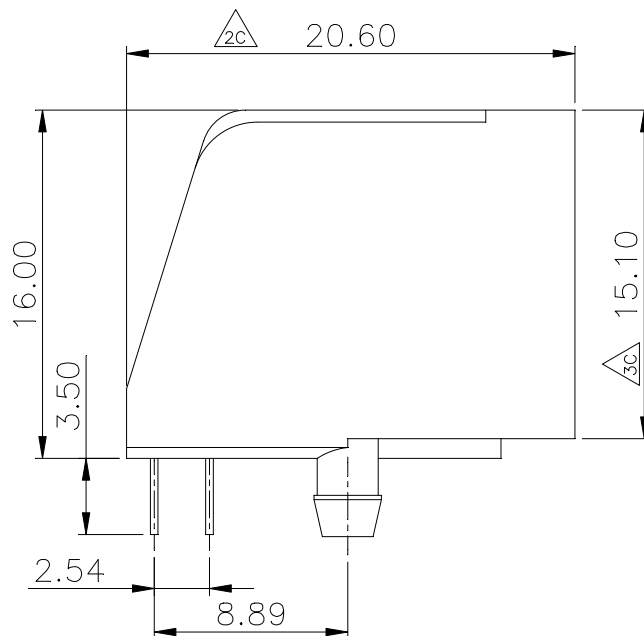
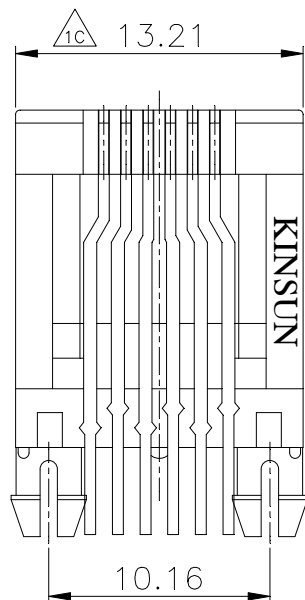
PLASTIC HOUSING: ENGINEERING THERMOPLASTIC

FLAMMABILITY RATING UL 94V-0.

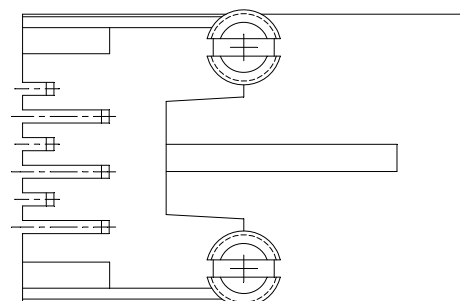
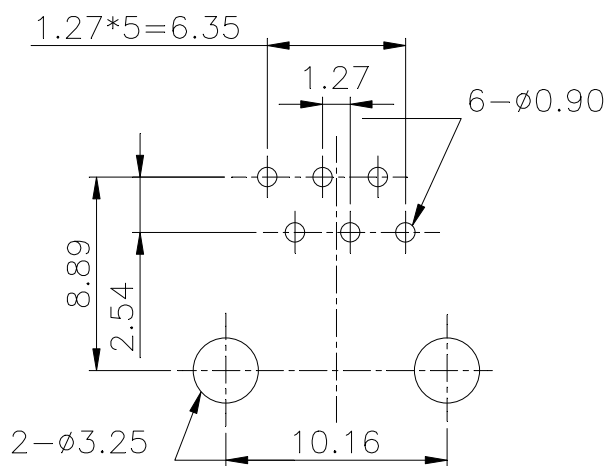
CONTACTS: PHOSPHOR BRONZE

PLATING: GOLD PLATING OVER NICKEL IN CONTACT.

TIN PLATING OVER NICKEL IN SOLDER AREA.



PCB LAYOUT/TOP VIEW



※ 凡標註記號者，為品管檢驗之尺寸

6u" P/N 3001443900

15u" P/N 3001444300

30u" P/N 3001444700

50u" P/N 3001445100

設計 DR. LILY 90-05-25	核准 APPD. Jerry 92-12-15	容許公差 .XXX ±0.10 .XX ±0.25 .X ±0.38 X ±0.50 ANG ±3°	TOLERANCE	品名 ARTICLE SIDE ENTRY PCB JACK(6P6C)
版本說明 REVISION NOTE				圖號 DWG NO. 3001443900
			單位 UNIT mm	比例 SCALE 張數 SHEET 版本 REV. 3/1 1/1 A