



### Features

- Projected Capacitive Touch Supports Multi-touch
- Onboard Intel® Atom™ Dual-Core D525 1.8GHz CPU
- Intel® ICH8-M Chipset
- 1 Gigabit Ethernet, 2 x 1W Speaker
- 2 USB, 1 COM, 1 Mini-PCle
- Wide Voltage +12V ~ +28V Input, ErP Power
- Flush Touch Screen Enables Easy Cleaning
- Lockable OSD Buttons

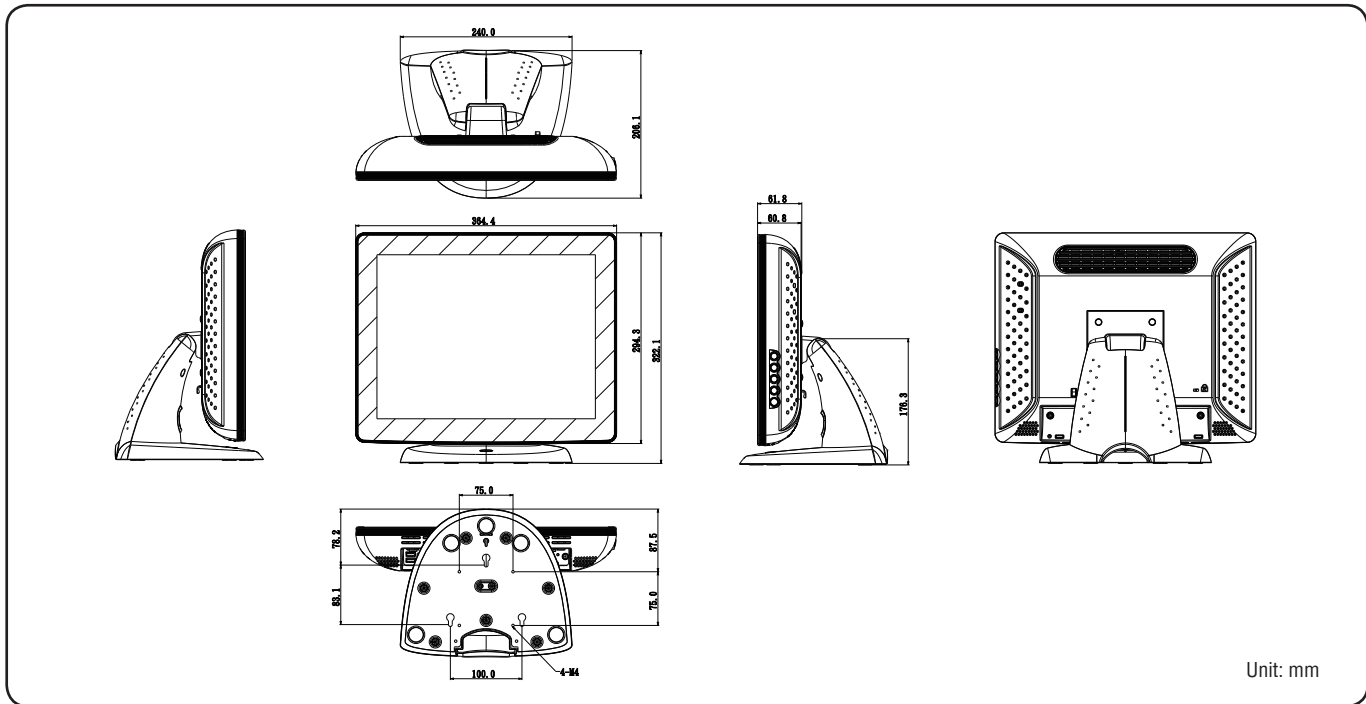
Touch Screen	Dual View	GbE	1W Speaker	Mini PCIe
1 COM	2 USB	Fanless	Wide Voltage	

### Specifications

Model Name	APC-1505
• LCD Size	15"
• Resolution, Color	1024 x 768 XGA, 16.7M
• Pixel Pitch	0.297mm (H) x 0.297mm (V)
• Luminance	400cd/m <sup>2</sup>
• Contrast Ratio	600
• Viewing Angle	70 (U), 70 (D), 80 (L), 80 (R)
• Response Time	8ms
• Backlight	LED
• Touch Screen	Projected Capacitive Touch Supports Multi-touch
• Light Transmission	90%
• Touch Interface	USB
<b>System</b>	
• Board	EBM-PNV
• CPU	Onboard Intel® Atom™ D525 Dual-Core 1.8GHz CPU
• System Chipset	Intel® ICH8-M Chipset
• I/O Chip	Nuvoton W83627DHG-P
• System Memory	One 204-pin DDR3 SODIMM Supports Up to 4GB DDR3 800MHz SDRAM
• Hard Drive Bay	One 2.5" SATA HDD/ SSD
• WiFi	Optional USB or Mini PCIe WiFi Module
• Watchdog Timer	Reset: 1 ~ 255min. and 1sec. or 1min./step
• H/W Status Monitor	Monitoring System Temperature, Voltage, with Auto Throttling Control
• Expansion	1 x Mini PCIe
<b>Rear Panel I/O</b>	
• Serial Port	1 x RS-232/422/485 (Selected by Jumper)
• Ethernet	1 x RJ-45 (Intel® 82574L Gigabit Ethernet, Optional Dual 82574L Gigabit Ethernet)
• VGA	1 x DB-15
• Audio	1 x Line-out (Realtek ALC888 Supports 5.1-CH Audio)
• USB	2 x USB 2.0
• Mouse & K/B	1 x PS/2 KB & MS
• Speaker	2 x 1W Speaker



### Diagram



#### Environment & Mechanical

• <b>Color</b>	Front & Rear Black
• <b>Mounting</b>	Wall/ Stand/ VESA 100mm X 100mm
• <b>System Power Requirement</b>	+12V ~ +28V DC Power Input
• <b>Power Adapter</b>	Input: 100 ~ 250VAC/ 47 ~ 63Hz Output: 84W Adapter (12V @ 7A Adapter)
• <b>Operating Temperature</b>	0 ~ 40°C (32 ~ 104°F)
• <b>Storage Temperature</b>	-20 ~ 75°C (-4 ~ 167°F)
• <b>Relative Humidity</b>	5% ~ 90% Relative Humidity, Non-condensing
• <b>Dimensions (W x D x H)</b>	364.4mm x 294.3mm x 61.8mm
• <b>Weight</b>	6.34Kgs

- 1 LPC Series
- 2 APC Series
- 3 PPC Series
- 4 FPC Series
- 5 MPC Series
- 6 OPM Series
- 7 SPC Series
- 8 MTP Series
- 9 RISC Series
- 10 ACC

### Ordering Information

- **APC-1505**  
15" XGA TFT Fanless Plastic Multi-Touch Full Flat Panel PC with Intel® Atom™ D525 Dual-Core 1.8GHz CPU, 160GB SATA HDD