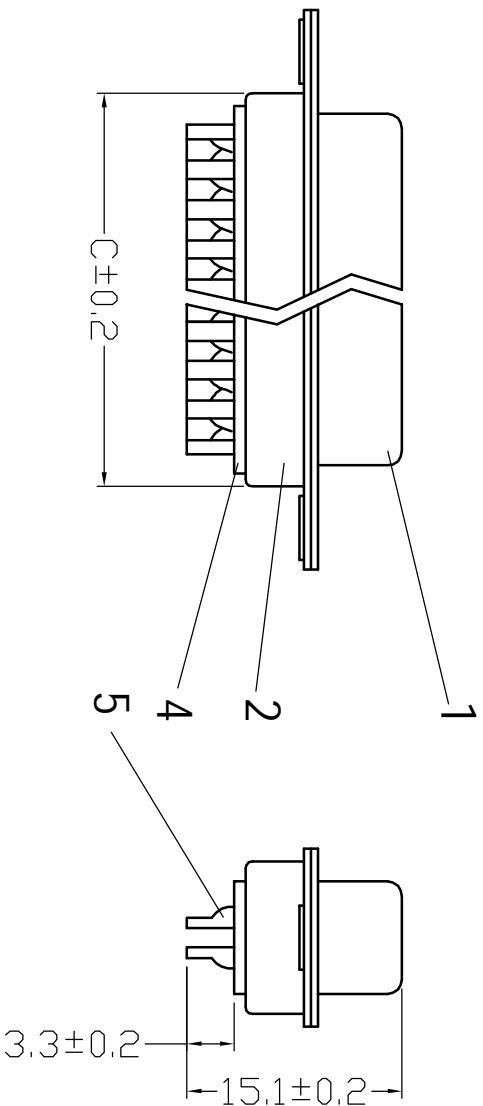
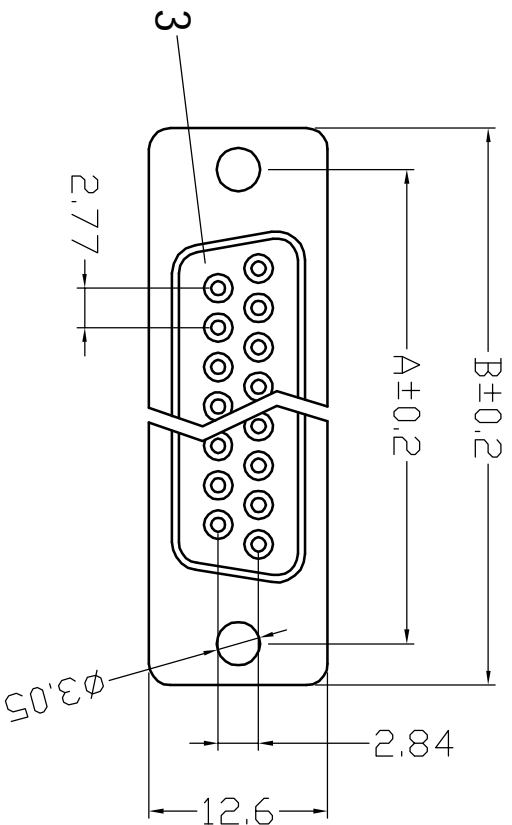


序号/Rev.No.	名称/Title	文件编号/Title No.
1	上铁壳	
2	下铁壳	
3	100F前塑料件	
4	100F后塑料件	
5	100F端子	



Position	A	B	C
9	24.99	30.81	19.36
15	33.32	39.20	27.64
25	47.04	53.10	41.08
37	63.50	69.50	57.38

Specifications:  
 Contact Resistance: 30mΩ max. at dc 100 mA  
 Insulator Resistance: 1000MΩ min. at DC 500V  
 Current Rating: 5AMP  
 Dielectric Withstanding  
 Voltage: AC 1000V For 1 minute  
 Operating Temperature: -55°C--+105°C  
 Contact: Brass  
 Housing: PBT &30% Glass Fiber (UL 94V-0)

- 要求:
1. 铁壳无明显起皮、杂色、生锈, 断面毛边不超过0.05mm。
  2. 端子无松动感, 且整排端子成一直线, 端子之间相互平行, 塑件无明显错位。
  3. 铆合要紧密, 铁壳接合处无明显缝隙, 且铆合处平滑。

序号/Rev.No. 更改记录/Revision note 签名/Signature 日期/Date

设计/Designed by	绘图/Draw ing by	审核/Checked by	批准/Approved by	未注公差 General Tolerance
				X: ±0.2 X': ±2 X: ±0.1 X': ±1 .XX ±0.05 .XX'±0.5 .XXX ±0.01
				单位/Units: mm
图名/Title	文件编号/File No.	页序/Sheet		
备注/Remark				