

**Product number C12828_EVA-O**

Family	Eva	FWHM	(simulated) 16 + 40
Type	Lens	Efficiency	-
LED	MC-E	cd/lm	-
Color	Clear	Gerber File	Available
Diameter	35 mm		
Height	16.4 mm		
Style	Round		
Optic Material	PMMA		
Holder Material	-		
Fastening	-		
Status	Production ready		

**Product number C10684_EVA-D**

Family	Eva	FWHM	16 degrees
Type	Lens	Efficiency	92 %
LED	MC-E	cd/lm	6.000
Color	Clear	Gerber File	Available
Diameter	35 mm		
Height	16.4 mm		
Style	Round		
Optic Material	PMMA		
Holder Material	-		
Fastening	-		
Status	Production ready		

Outer flange can be secured in fixture for hardware-free attachment.

**Product number C10685_EVA-M**

Family	Eva	FWHM	22 degrees
Type	Lens	Efficiency	89 %
LED	MC-E	cd/lm	3.000
Color	Clear	Gerber File	Available
Diameter	35 mm		
Height	16.4 mm		
Style	Round		
Optic Material	PMMA		
Holder Material	-		
Fastening	-		
Status	Production ready		

Outer flange can be secured in fixture for hardware-free attachment

**Product number C10686_EVA-W**

Family	Eva	FWHM	36 degrees
Type	Lens	Efficiency	91 %
LED	MC-E	cd/lm	1.000
Color	Clear	Gerber File	Available
Diameter	35 mm		
Height	16.4 mm		
Style	Round		
Optic Material	PMMA		
Holder Material	-		
Fastening	-		
Status	Production ready		

Outer flange can be secured in fixture for hardware-free attachment

PRODUCT DATASHEET
Eva series

last update 10/3/2016

**Product number** C10909_EVA-WW

Family	Eva	FWHM	47 degrees
Type	Lens	Efficiency	90 %
LED	MC-E	cd/lm	1.000
Color	Clear	Gerber File	Available
Diameter	35 mm	Outer flange can be secured in fixture for hardware-free attachment	
Height	16.4 mm		
Style	Round		
Optic Material	PMMA		
Holder Material	-		
Fastening	-		
Status	Production ready		

NOTE: The typical divergence will be changed by different color, chip size and chip position tolerance. The typical total divergence is the full angle measured where the luminous intensity is half of the peak value.



PRODUCT DATASHEET

Eva series

last update 10/3/2016

GENERAL INFORMATION

- Product series especially designed & optimized for MC-E series of LEDs.
- Special care taken to make light distribution as uniform as possible.
- Lens material optical grade PMMA with high UV and temperature resistance. Allows use of high current and temperature conditions.

Please find more information about used material from below:

http://ledil.fi/sites/default/files/Documents/Technical/Material/PMMA%20N%20UL94_Yellow%20Card.pdf

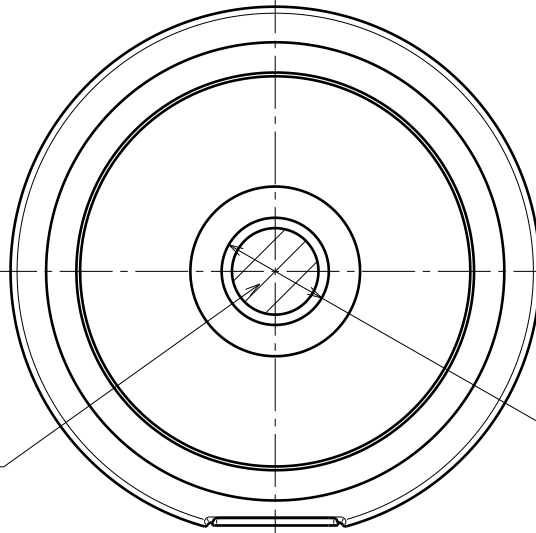
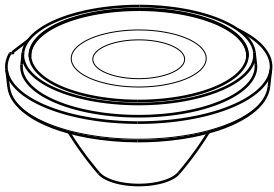
<http://ledil.fi/sites/default/files/Documents/Technical/Material/PMMA%20N%20PLEXIGLAS-Datasheet.pdf>

D

C

B

A

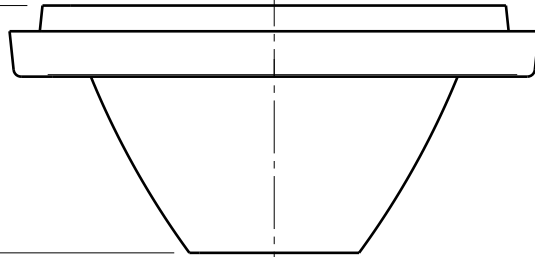


Clear finish

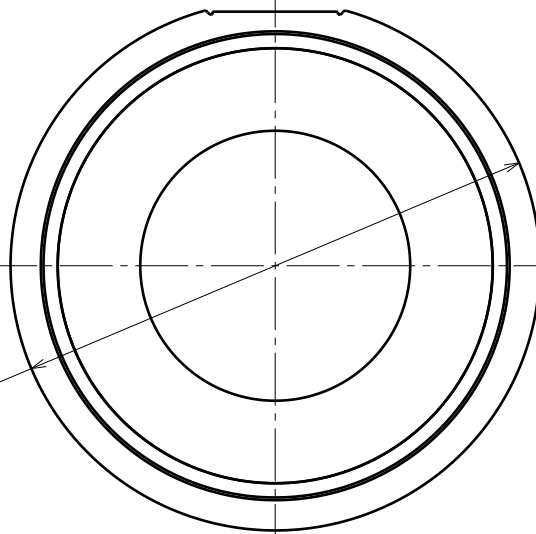
Ø 7.1

Ø 30.6

16.4



Side view



Ø 35

Top view

Tolerances if not otherwise shown:
 According to DIN ISO 2768-1
 Linear measures:
 Up to 30mm class M, otherwise class C.

According to DIN ISO 2768-2
 Form and position:
 class L

Raw material(s):
 PMMA 8N

This drawing is our property.
 It can't be reproduced
 or communicated without
 our written agreement.



Ledil Oy
 Salorankatu 10
 24100 SALO
 Finland

DRAWING TITLE

Datasheet Eva D Lens

DRAWN BY
ah

DATE
1.3.2013

CHECKED BY

DATE

SIZE
A4

DRAWING NUMBER

11677

REV
2

DESIGNED BY
HH

DATE
26.08.2008

SCALE

2:1

WEIGHT (g)

SHEET

1/1

D

A

4

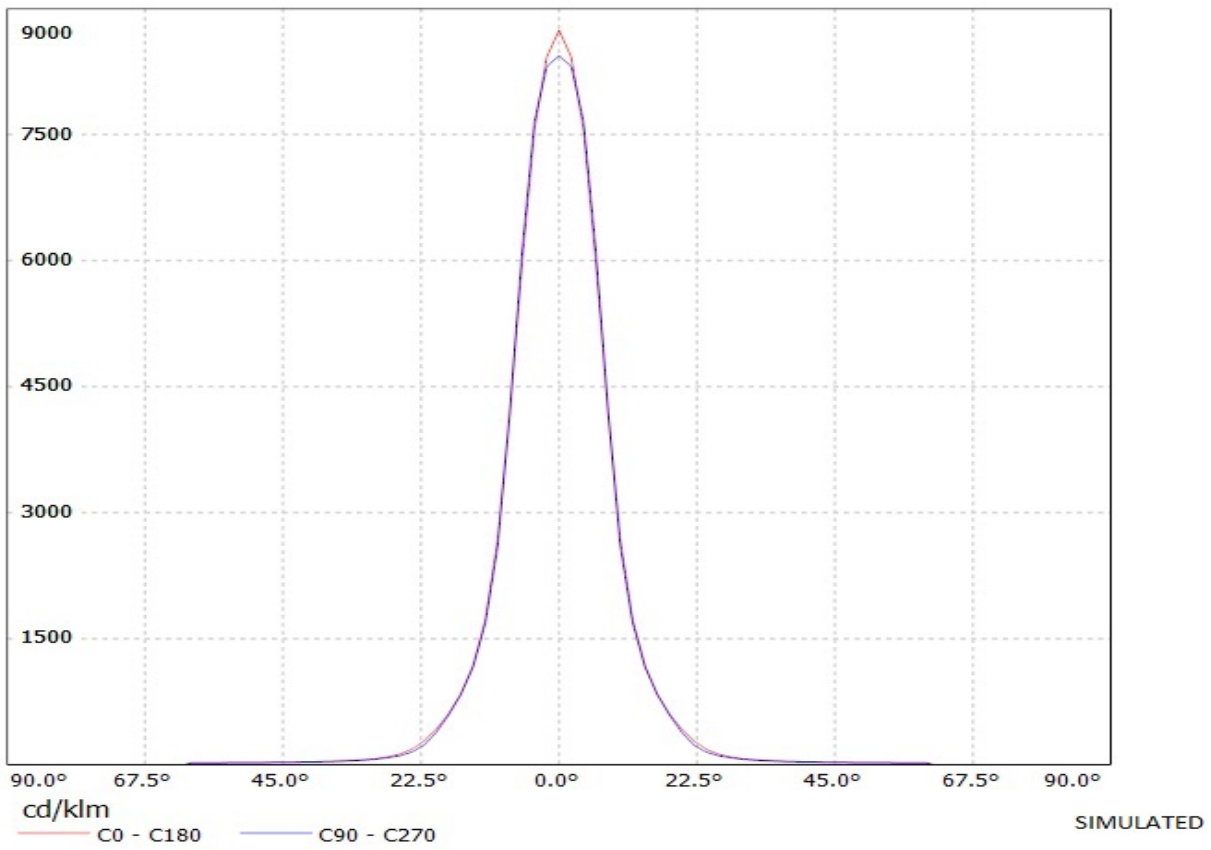
3

2

1

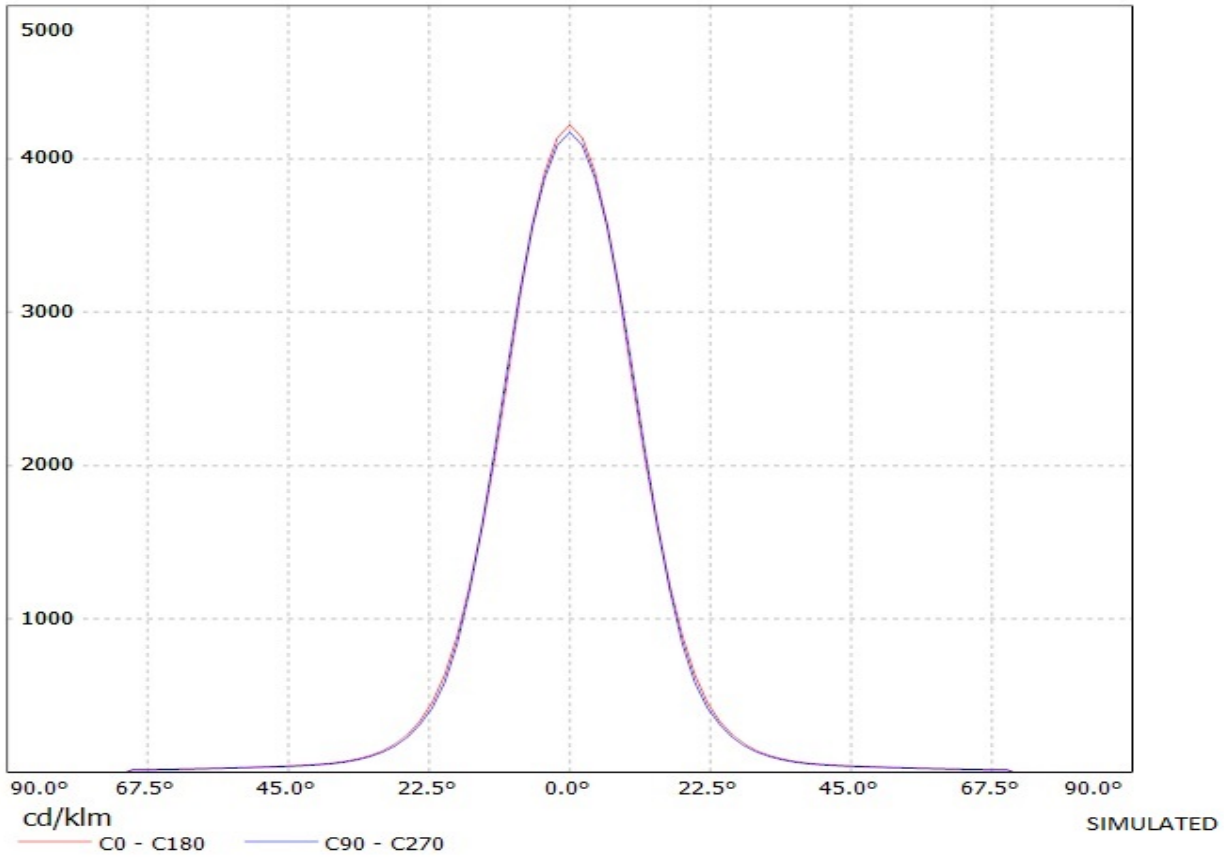
1

Luminaire: Ledil Oy EVA-D EVA-D
Lamps: 1 x Cree MC-E (white)



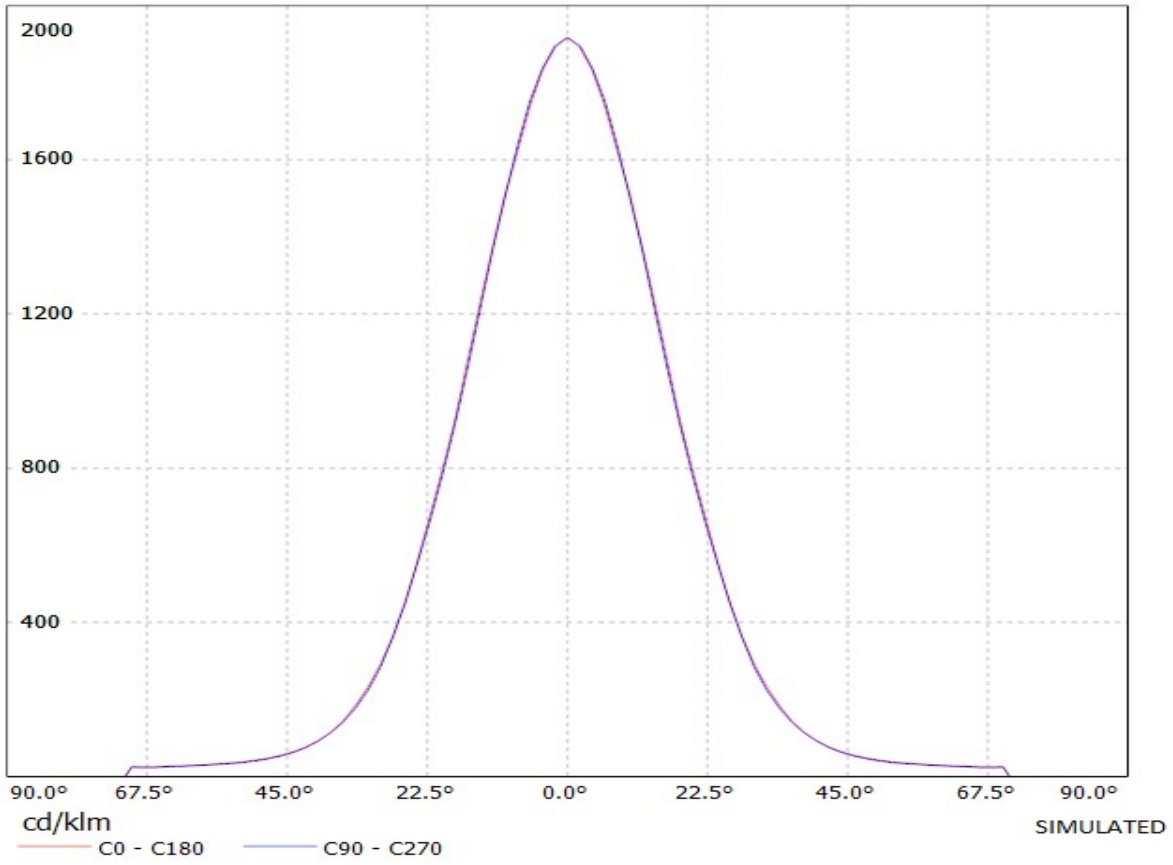
Ledil Oy C10685_EVA-M C10685_EVA-M / LDC (Linear)

Luminaire: Ledil Oy C10685_EVA-M C10685_EVA-M
Lamps: 1 x Cree MC-E (white)



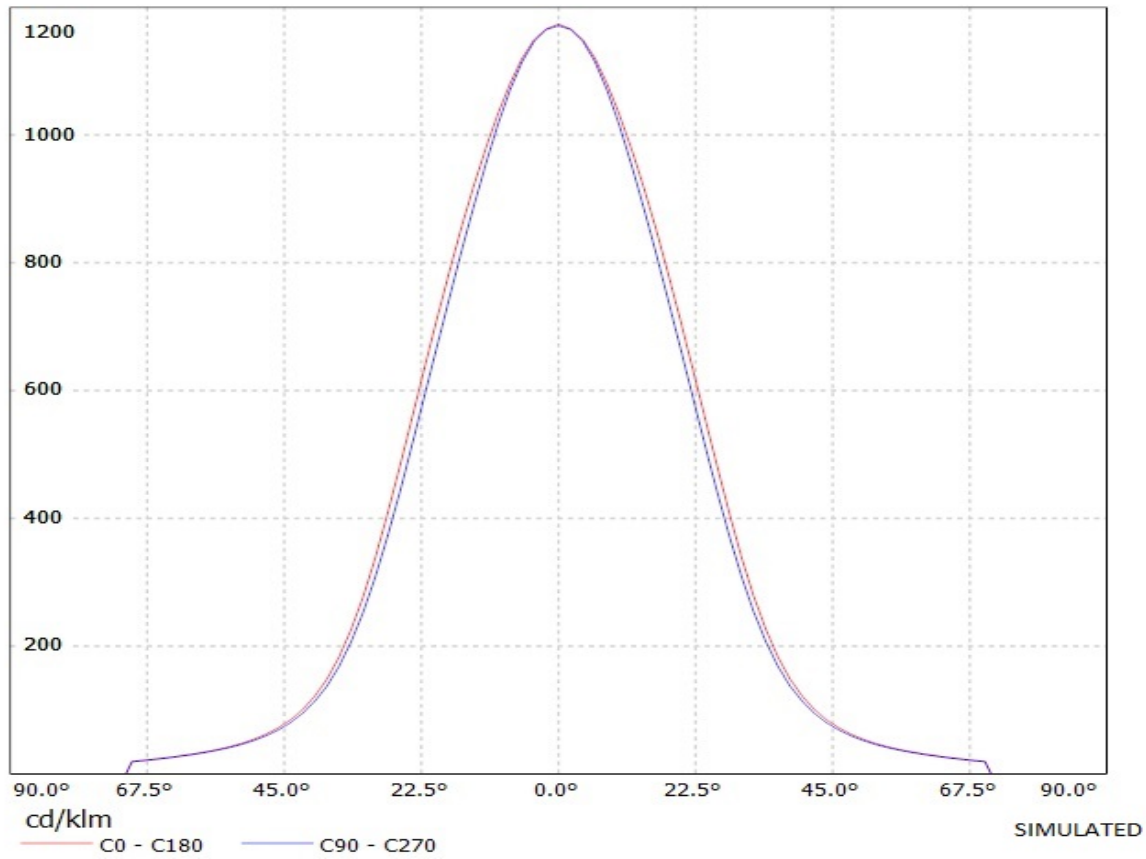
Ledil Oy C10686_Eva-MC-W C10686_Eva-MC-W / LDC (Linear)

Luminaire: Ledil Oy C10686_Eva-MC-W C10686_Eva-MC-W
Lamps: 1 x Cree MC-E (white)

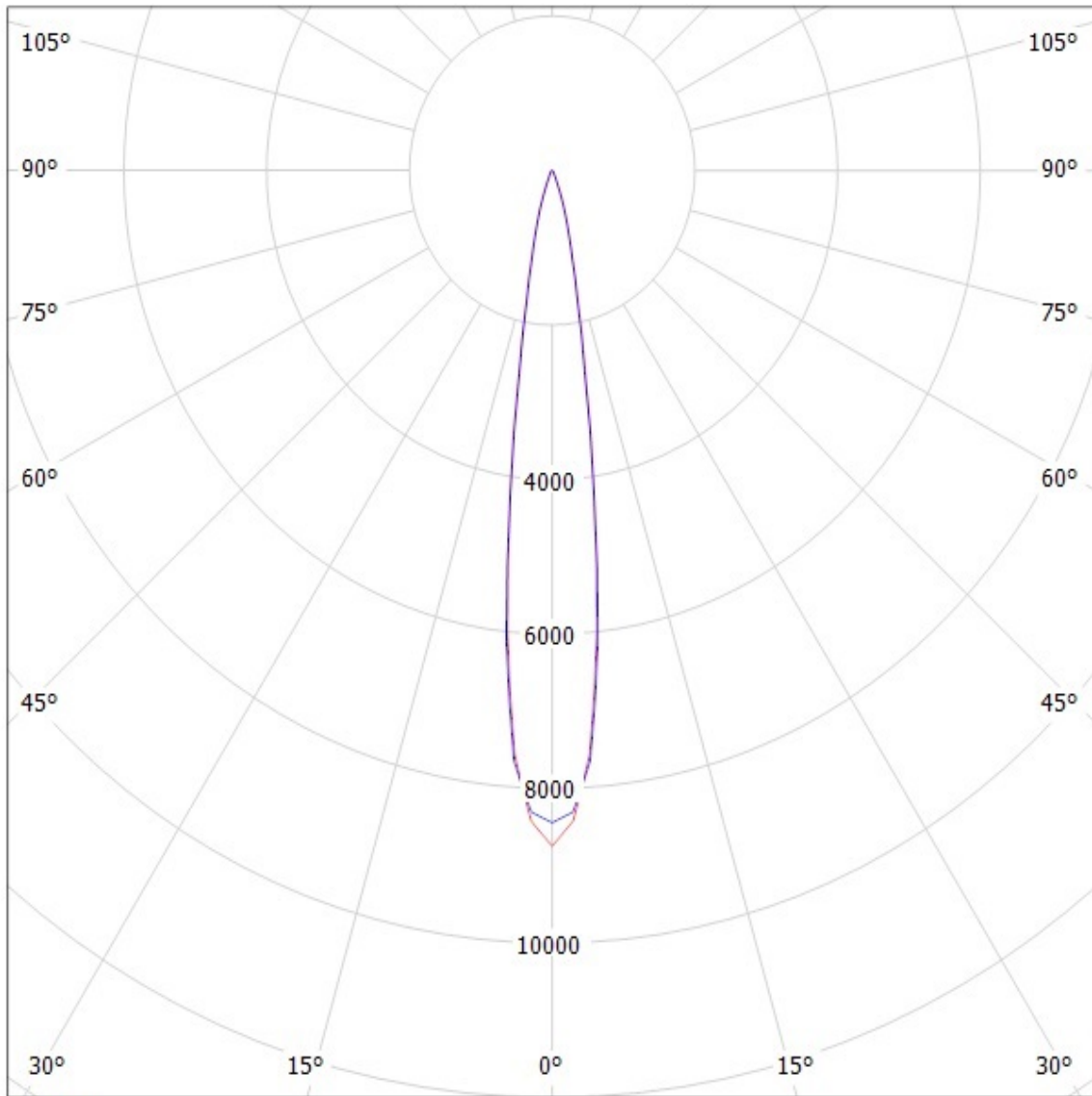


Ledil Oy C10909_Eva-MC-WW C10909_Eva-MC-WW / LDC (Linear)

Luminaire: Ledil Oy C10909_Eva-MC-WW C10909_Eva-MC-WW
Lamps: 1 x Cree MC-E



Luminaire: Ledil Oy EVA-D EVA-D
Lamps: 1 x Cree MC-E (white)



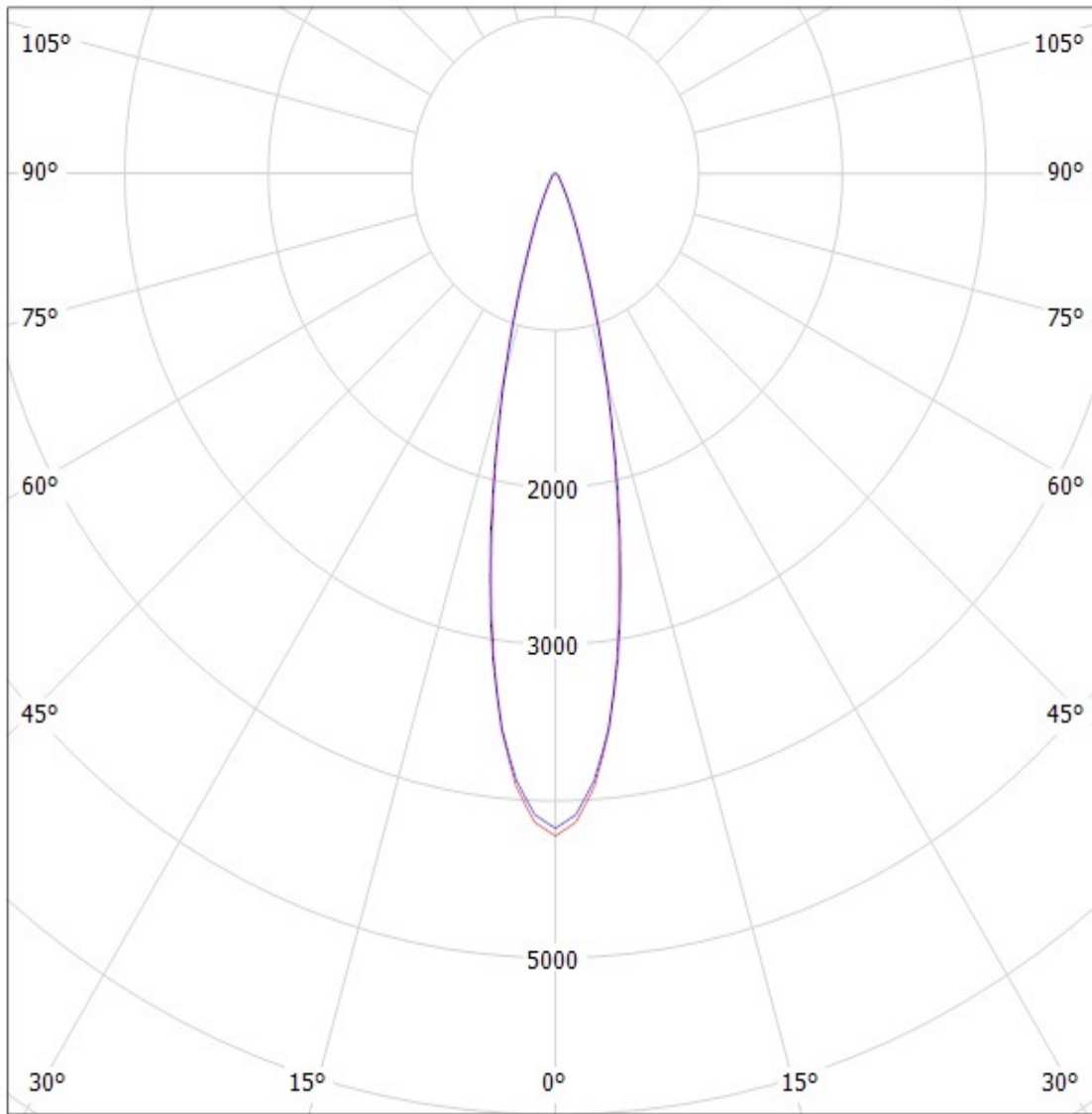
cd/klm

— C0 - C180 — C90 - C270

SIMULATED

Ledil Oy C10685_EVA-M C10685_EVA-M / LDC (Polar)

Luminaire: Ledil Oy C10685_EVA-M C10685_EVA-M
Lamps: 1 x Cree MC-E (white)



cd/klm

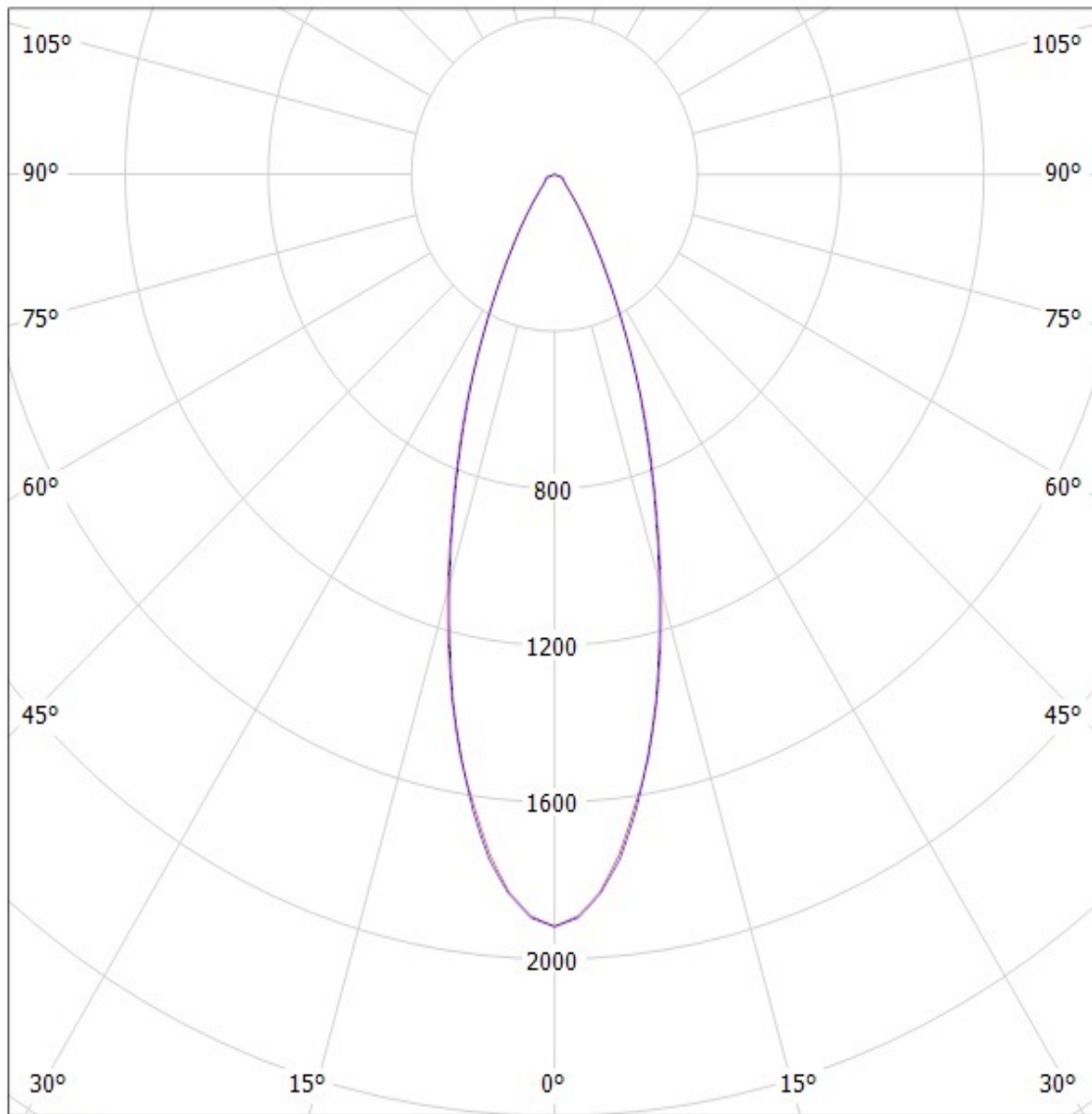
— C0 - C180 — C90 - C270

SIMULATED

Ledil Oy C10686_Eva-MC-W C10686_Eva-MC-W / LDC (Polar)

Luminaire: Ledil Oy C10686_Eva-MC-W C10686_Eva-MC-W

Lamps: 1 x Cree MC-E (white)



cd/klm

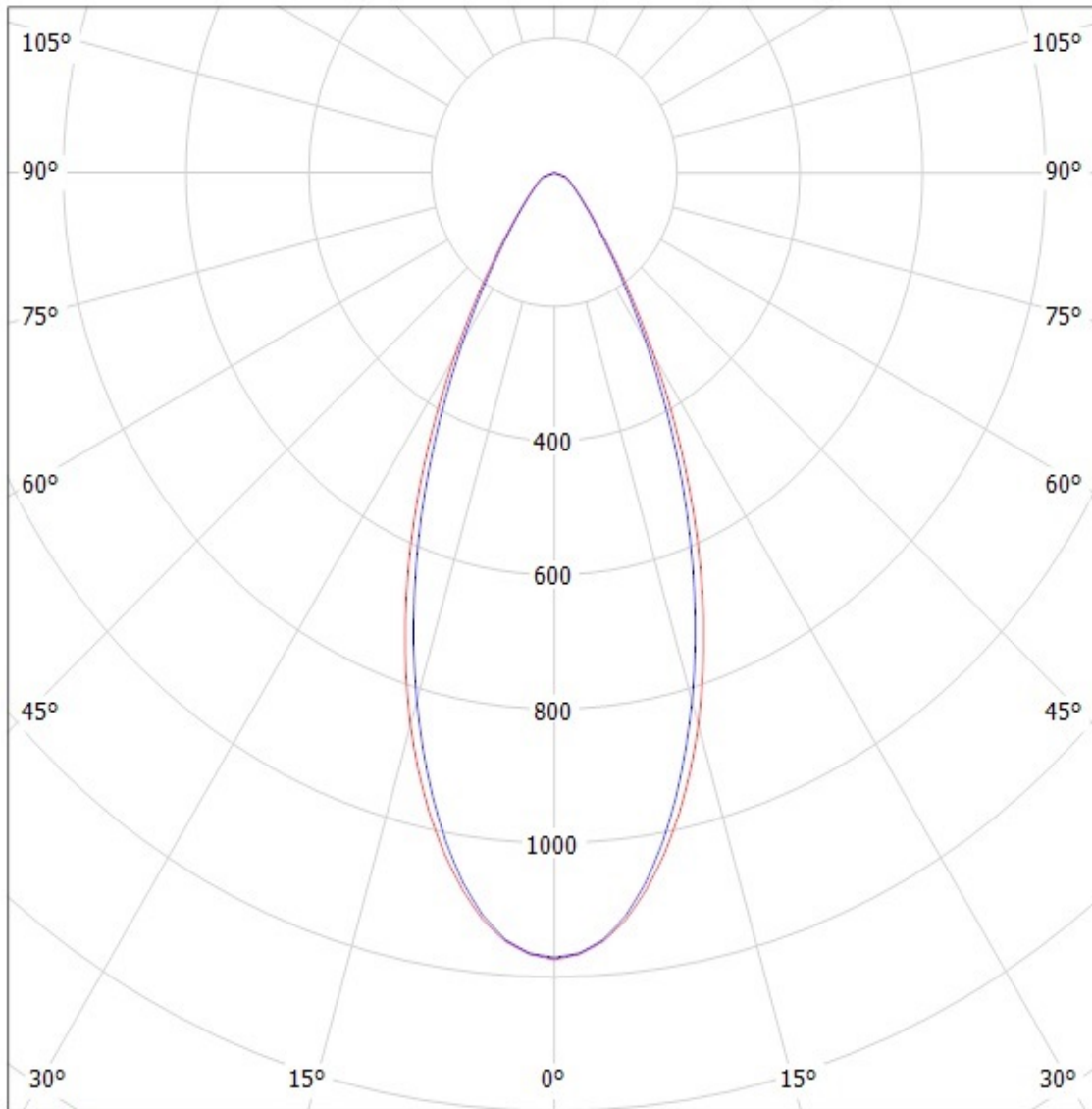
SIMULATED

— C0 - C180 — C90 - C270

Ledil Oy C10909_Eva-MC-WW C10909_Eva-MC-WW / LDC (Polar)

Luminaire: Ledil Oy C10909_Eva-MC-WW C10909_Eva-MC-WW

Lamps: 1 x Cree MC-E



cd/klm

SIMULATED

— C0 - C180

— C90 - C270