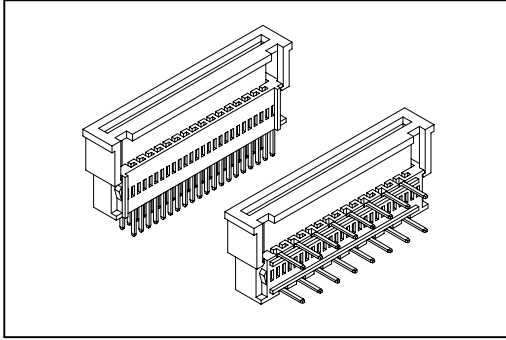


2533 Series

FFC/FPC Connector 1.25mm(0.049") ZIF Type



Material:

Housing: 30% Glass filled PBT UL94V-0.

Contacts: Phosphor Bronze.

Electrical Characteristics:

Current Rating: 1 AMP.

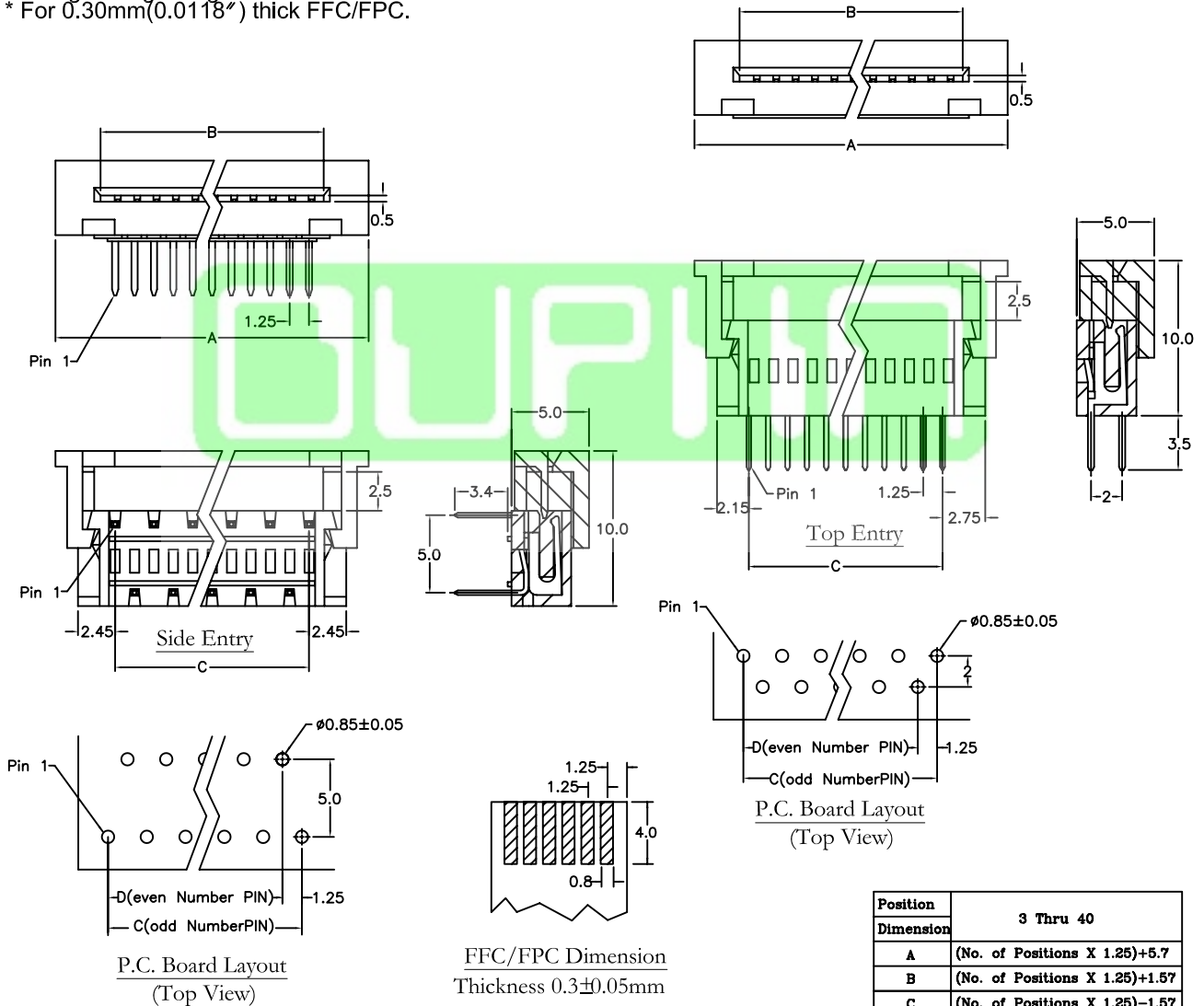
Insulator Resistance: 5000MΩ min. at DC 500V.

Contact Resistance: 20mΩ max. at DC 100mA.

Operating Temperature: -55°C ~ +105°C.

Features:

- * ZIF, DIP Type.
- * Size 3 through 40 available.
- * Straight & right angle.
- * For 0.30mm(0.0118") thick FFC/FPC.



Ordering Information

2533-

Series

40

No. of
Pin Count

T

T: Tin Plated

S

S: Top Entry (Straight)
R: Side Entry (Right Angle)

U

U: Tube Package