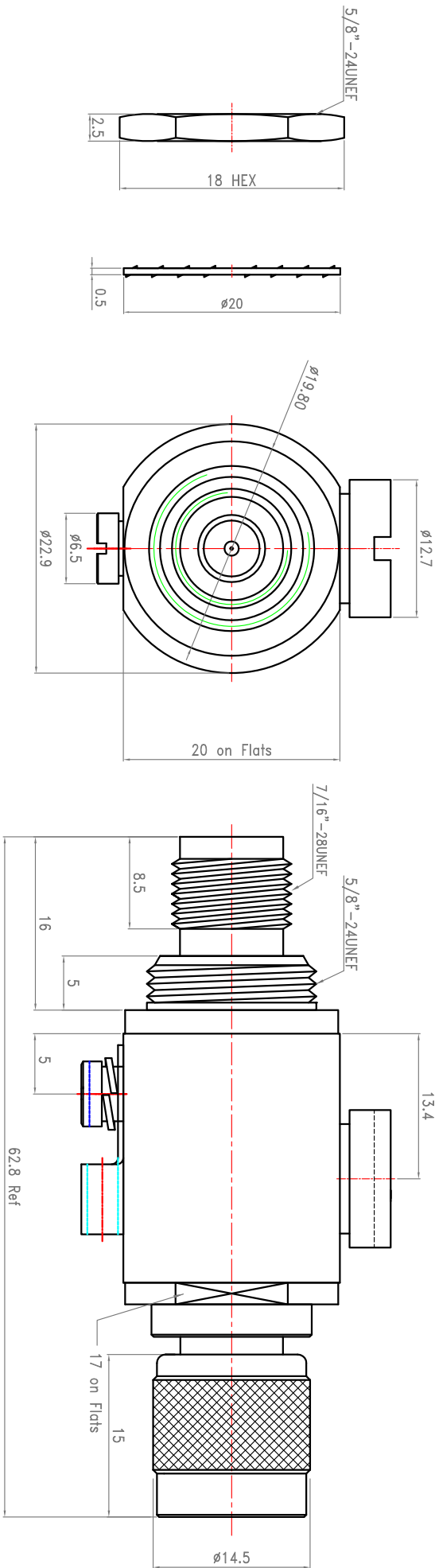


Revisions

Note: Revisions B: B-1; B-2..... On behalf of official Drawing.
 Revisions 1; 2; 3; 4..... On behalf of experiment's Drawing.

ISS	Symbol	Description	Date
B		CHIE for New Drawing Frame & New PN System	2006/07/10

Outline Drawing



*Change new drawing frame in Blue Color since 2009/07/01 to comply with Company CIS Policy."

ROHS COMPLIANCE

ITEM	Description	Material	Finish	Part Number	QTY
6	Nut	Brass	Nickel		
5	Washer	Brass	Nickel		
4	Pin	P. Bronze	Gold		
3	Insulator	PTFE	None		
2	Body	Brass	Nickel		
1	Shell	Brass	Nickel		

Scale	Abbr.	Date	Rev.
NTS	ST	2009/08/14	B

Drawn	Checked	Approved
<i>Mark</i>	<i>Ryom</i>	<i>S. Yun</i>

Tolerances:	All Dimensions in mm
.X ±0.2	 All Dimensions in mm (Unless Otherwise Specified)
.XX ±0.1	
.XXX±0.05	

Proprietary Note	DWG.NO.
This document contains information proprietary to S-Com, which is either copyrighted, or patent applied for, and / or protected by trade secret laws. This document or parts thereof, may not be used disclosed or reproduced in any form by any method, or for any purpose, without the written permission of S-Com, Taiwan.	SG13A0N03-1

TITLE.
TNC Surge Protector

 S-Com Enterprise Co., Ltd. ISO 9001 Certified
--