

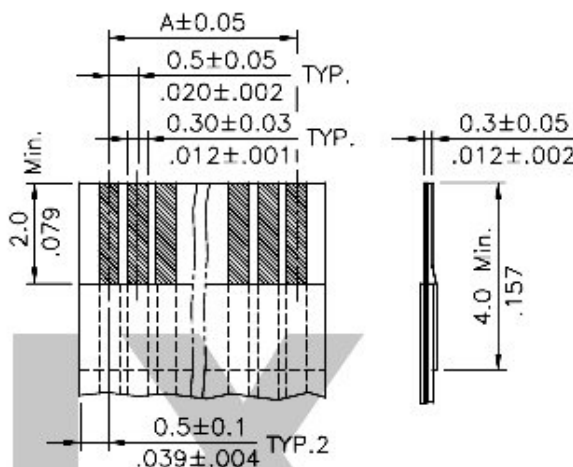
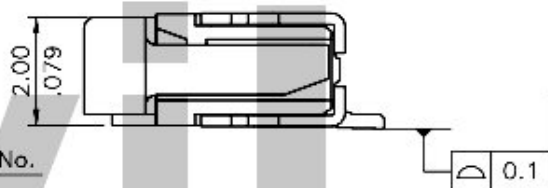
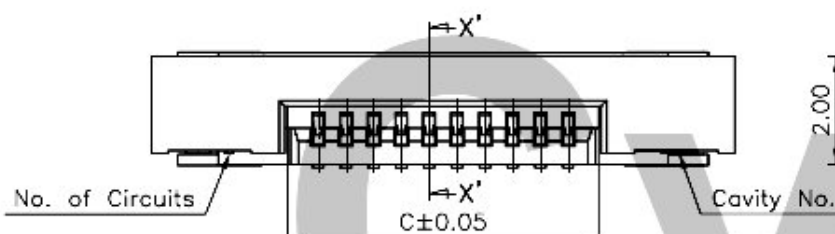
Ordering Code

CF20 ** 1 D 0 **
 ① ② ③ ④ ⑤ ⑥

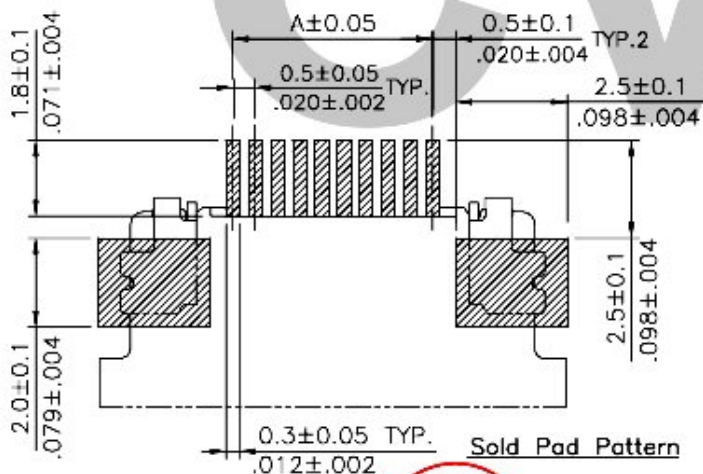
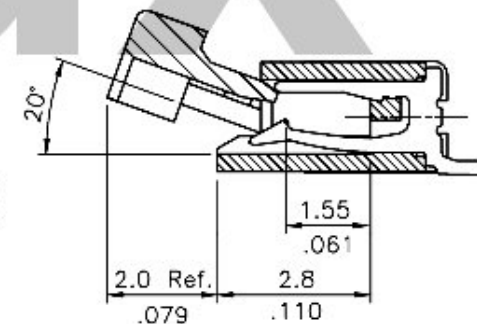
- ① Series No.
- ② No. of Circuits
- ③ Plating code:
1 = 3.05μm(120μ") Min. Tin
over 0.76μm(30μ") Nickel
- ④ Contact style: D= Downside contact
- ⑤ Color: 0= Nature
- ⑥ Other option: R0= Tape & Reel
T0= Tube Packing

Material :

- * Body : Glass filled Polyamide UL 94V-0
Color Nature(Ivory)
- △ * Slider : Glass filled Polyamide UL 94V-0
Color Black
- * Contact : Copper alloy with Tin plated
- * Fixed tab : Copper alloy with Tin plated



Accommodated FFC/FPC

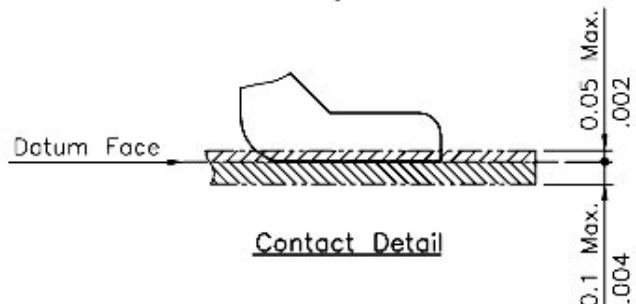


A = 0.50 * No. of Spaces

B = A + 6.0

C = A + 1.1

* Available in 4 through 50 circuits



RoHS Compliant

④					DATE	UNIT: mm / inch	TITLE: 0.50mm(.031") ZIF FFC/FPC DOWNSIDE CONTACT SURFACE MOUNT CONNECTOR	瀚荃股份有限公司 Cvilux Corporation
③					DRAWN BY: Sun	TOLERANCE UNLESS OTHERWISE SPECIFIED	MATERIAL:	
②	SUN	2/23/04	ECR04064-1, ECR04069-1/ECN04462	ENGINEER: Eisley	01/27-05'	.X ± 0.15/.006	.X' ± 1'	DRAWING NO. CF2001SB
①	SUN	1/28/04	ECN04041	CHECKED BY: David	01/28-05'	.XX ± 0.10/.004	.X ±	PART NO. CF20**1D0T0 CF20**1D0R0
SYM	NAME	DATE	REVISIONS	APPROVED BY: Alex	01/31-05'	.XXX ± 0.05/.002	.XX ±	SCALE 7 / 1
								SHEET 1 OF 1