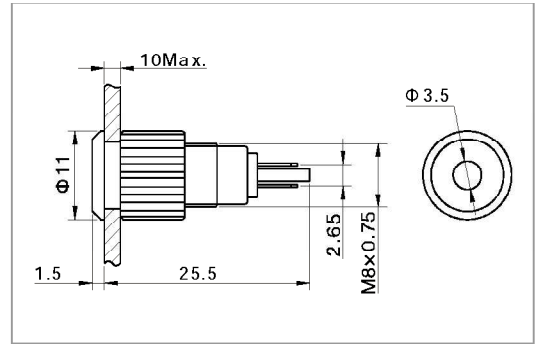


Anti-vandal indicator



GQ8F-D/Δ/▲

- ⊙ Φ 8mm Diameter
- ⊙ Voltage Rating: $\leq 36V$
- ⊙ Rated Current: 15mA
- ⊙ Type: LED
- ⊙ Color: R/G/Y/O/B/W
- ⊙ The Crust Material:
Nickel Plated Brass
- ⊙ IP Degree: IP67,IK10



Specification	GQ8F-D/Δ/▲	
Terminal Type	Pin Terminal(1.8 × 0.4 mm)	
Dielectric Intensity	1100VAC	
Operating Temp	-20°C ~ +55°C	
Panel Thickness	1 ~ 10mm	
Torque	5 ~ 14Nmm	
IP Degree	IP67,IK10	
Material	Lampshade	PC
	Body	Nickel Plated Brass
	Base	PBT
	RoHS	Made to order
LED Spec.	Type	LED
	Rated Voltage	6V/12V/24V/36V
	Rated Current	15mA
	Color	R G Y O B W
	Life	40000 hours