

**Ceramic
 PTC Device**

R-line thermistors

CYG Wayon Circuit protection Co., Ltd.

No. 1001, Shiwan 7th Road, Shanghai 201207, China

Tel: 86-21- 50310888

Fax:86-21-50757680

E-mail: market@way-on.com

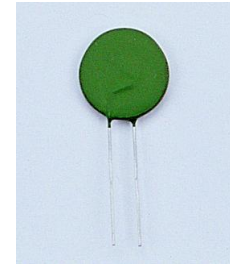
<http://www.way-on.com>



SCB-100-261DXN

Features

- Radial leaded devices
- Flame retardant silicon resin insulating material meets UL94 V-0 requirements
- Lead-free soldering
- Rapid switching and rapid resuming

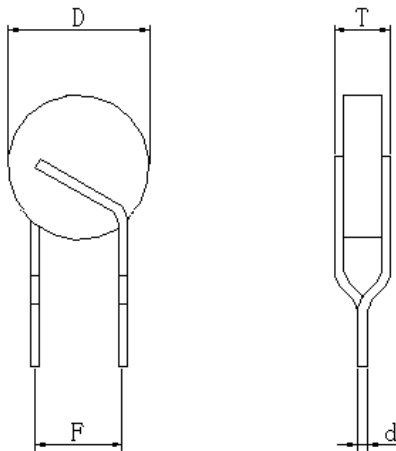


Typical Application

- Industrial controls
- Power supplies
- Instrument
- Test Equipment

Product Dimensions (mm)

Part number	D	T	F	d
	Max.	Max.	Typ.	Size(φ)
SCB-100-261DXN	14.0	5.0	5.0	0.6



Marking system

SCB-Product family

100-Resistance Value

* Lead materials: Tin-plate metal wire.

Electrical Characteristics

Part number	R(25℃) (Ω)	V _{max} (V _{Ac})	I _H (mA)	I _T (mA)	T _f (℃)	I _{max} (A)
SCB-100-261DXN	10±25%	265	200	400	120	2.2

R(25℃)=Device resistance at 25℃

V_{max}=Maximum voltage device can withstand without damage at rated current.

I_H=Hold current: maximum current at which the device will not trip at 25℃ still air.

I_T=Trip current: minimum current at which the device will always trip at 25℃ still air.

T_f=Curie Point.

I_{max}=Maximum fault current device can withstand without damage at rated voltage.

DOCUMENT: R20903
REV LETTER:A
PAGE NO: 2 OF 2
REV DATE: 2016-1-25
PART NUMBER:

**Ceramic
PTC Device**

R-line thermistors

CYG Wayon Circuit protection Co., Ltd.

No. 1001, Shiwan 7th Road, Shanghai 201207, China

Tel: 86-21- 50310888

Fax:86-21-50757680

E-mail: market@way-on.com

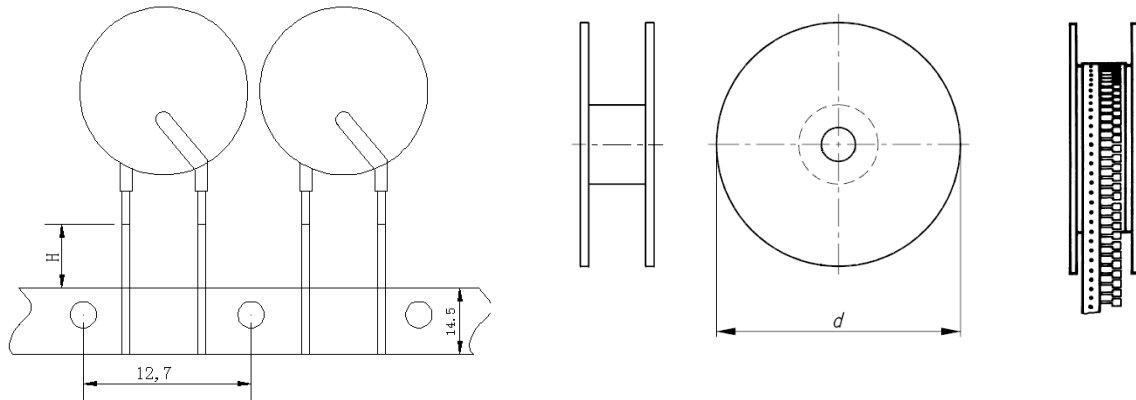
<http://www.way-on.com>



SCB-100-261DXN

Package Information

1500pcs/reel



H	4.5~7.0 mm	d	330mm
---	------------	---	-------

Specifications are subject to change without notice