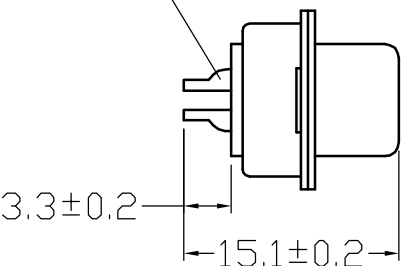
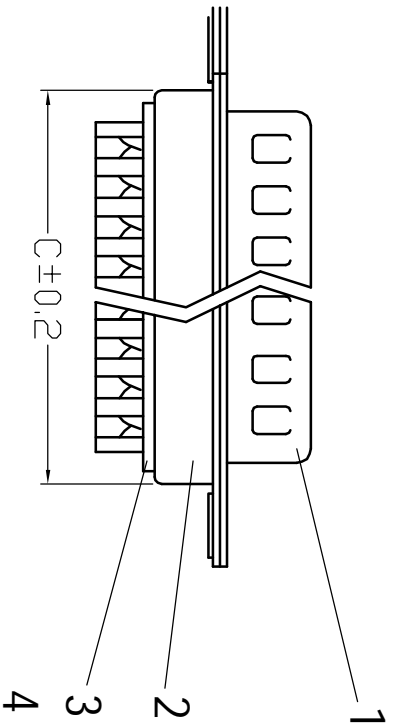
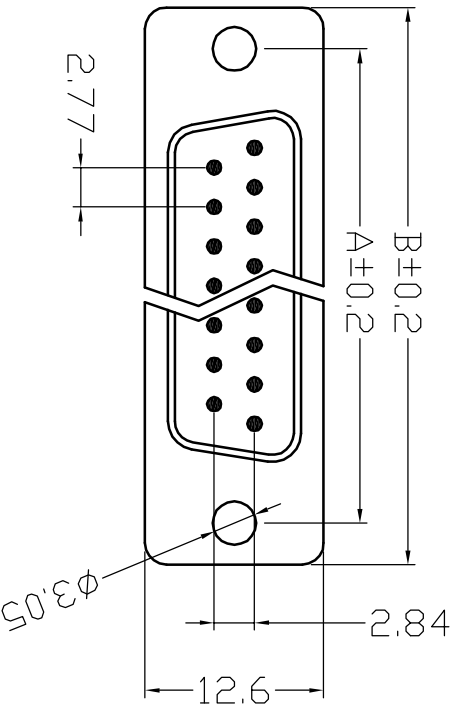


序号/Rev.No.	名称/Title	文件编号/Title No.
1	上铁壳	
2	下铁壳	
3	100M塑料件	
4	100M端子	



Position	A	B	C
9	24.99	30.81	19.36
15	33.32	39.20	27.64
25	47.04	53.10	41.08
37	63.50	69.50	57.38

Specifications:
 Contact Resistance: 30mΩ max. at dc 100 mA
 Insulator Resistance: 1000MΩ min. at DC 500V
 Current Rating: 5AMP
 Dielectric Withstanding Voltage: AC 1000V For 1 minute
 Operating Temperature: -55°C--+105°C
 Contact: Brass
 Housing: PBT &30% Glass Fiber(UL 94V-0)

- 要求:
1. 铁壳无明显起皮、杂色、生锈,断面毛边不超过0.05mm。
 2. 端子无松动感,且整排端子成一直线,端子之间相互平行,塑料件无明显错位。
 3. 铆合要紧密,铁壳接合处无明显缝隙,且铆合处平滑。

序号/Rev.No. 更改记录/Revision note 签名/Signature 日期/Date

设计/Designed by	绘图/Draw ing by	审核/Checked by	批准/Approved by	备注/Remark
图名/Title		文件编号/File No.		
100M产品图				
页序/Sheet				
未注公差 General Tolerance X: ±0.2 X': ±2" .X ±0.1 .X' ±1" .XX ±0.05 .XX' ±0.5" .XXX ±0.01				单位/Units: mm