

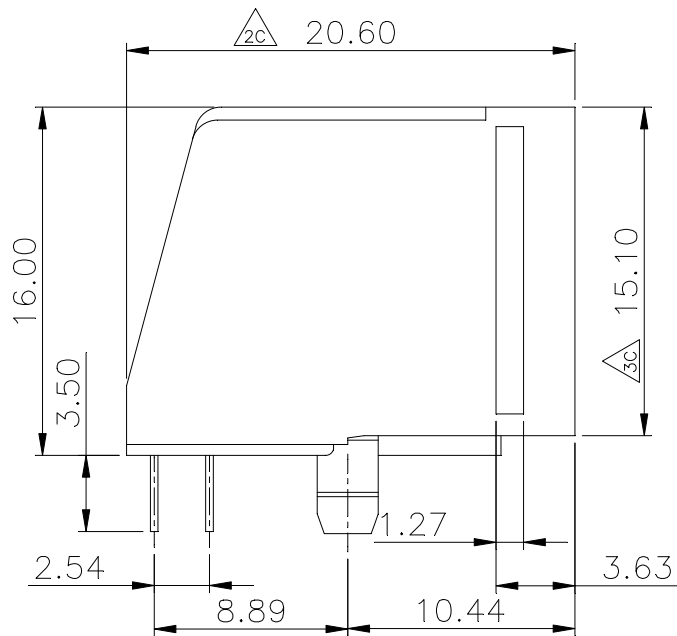
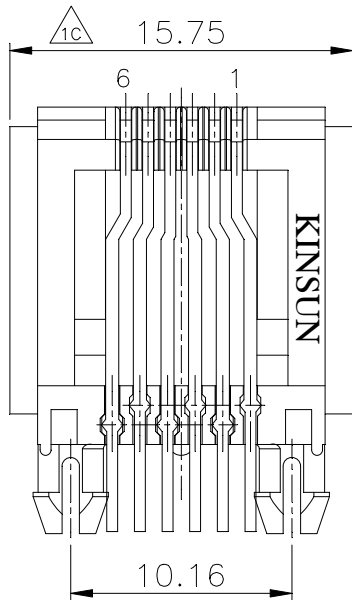
MATERIALS:

PLASTIC HOUSING: ENGINEERING THERMOPLASTIC
 FLAMMABILITY RATING UL 94V-0.

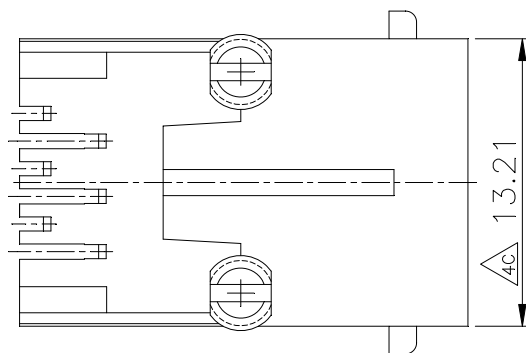
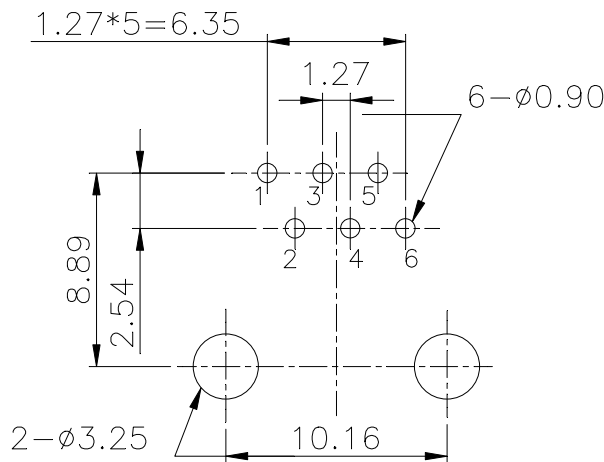
RoHS COMPLIANT

CONTACTS: PHOSPHOR BRONZE

PLATING: GOLD PLATING OVER NICKEL IN CONTACT.
 TIN PLATING OVER NICKEL IN SOLDER AREA.



PCB LAYOUT/TOP VIEW



※ 凡標註記號者, 為品管檢驗之尺寸
 3u" P/N 3001273500
 6u" P/N 3001273900
 15u" P/N 3001274300
 30u" P/N 3001274700
 50u" P/N 3001275100

設計 DR. LILY 98-04-28	核准 APPD. Jerry 98-04-28	容許公差 .XXX ±0.10 .XX ±0.25 .X ±0.38 X ±0.50 ANG ±3°	TOLERANCE	品名 ARTICLE SIDE ENTRY PCB JACK(6P6C)
版本說明 REVISION NOTE				圖號 DWG NO. 3001273900
增加 3001273500 規格, 發 B 版				單位 UNIT 比例 SCALE 張數 SHEET 版本 REV.
				mm 3/1 1/1 B