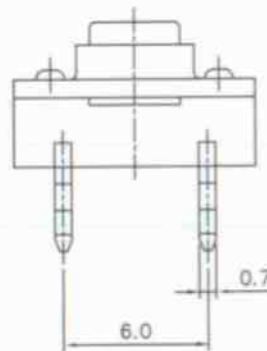
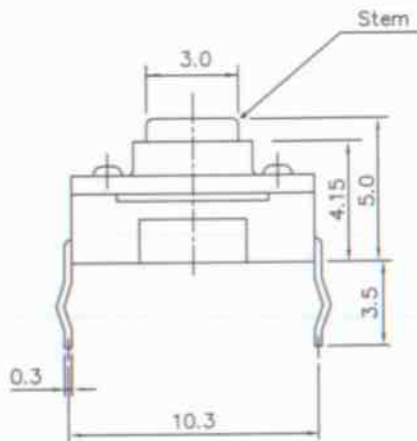
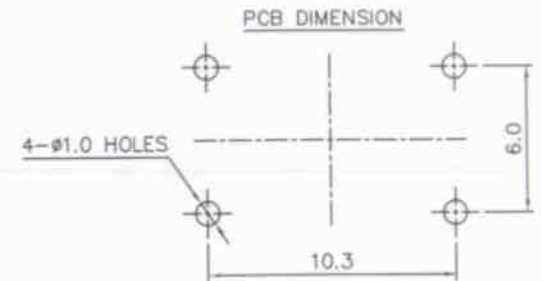
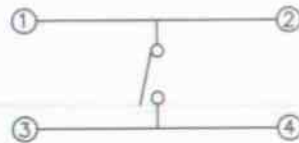


CIRCUIT DIAGRAM



NOTE

1. OPERATING FORCE : 200±50gf
2. OPERATING MODE : SELF LOCK
3. TRAVEL : 0.25± $\frac{0.2}{0.1}$ m/m
4. CONTACT RESISTANCE : 100mΩ MAX
5. GENERAL TOLERANCE : ±0.2
6. MANUFACTURING SPECIFICATION WOULD BE ACCORDANCE WITH WP0001
7. WATER PROOF TYPE

PART NO	PART NAME	Q'TY	MATERIAL	STANDARD	DISPOSITION	REMARKS
△			TRIGON- OMETRY	UNIT SCALE 4 / 1	WATER PROOF	
△			APPD CHKD DSGD			
△					MODEL	INT1149A
NO	CORRECTION					