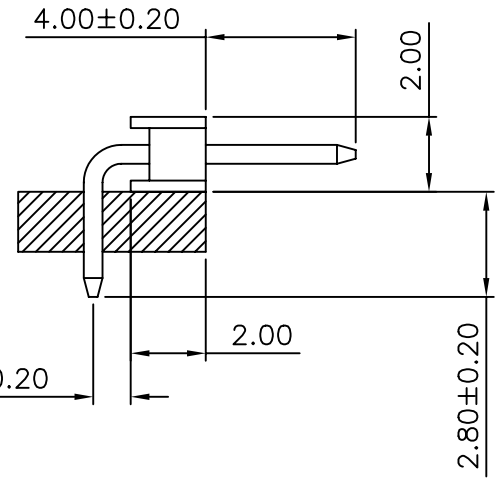
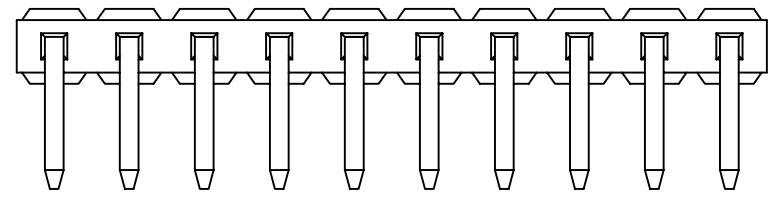
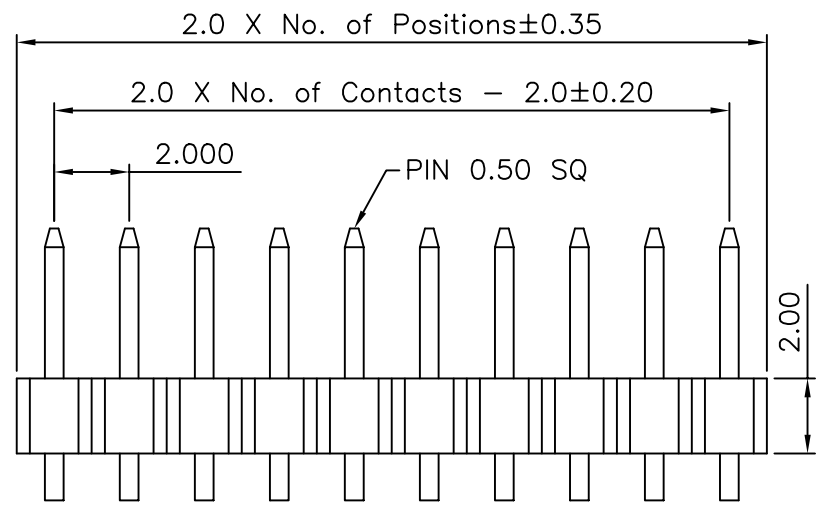


REV.	DESCRIPTION	DATE
02	增加PIN數	XIAO PING 11-08-04

F
E
D
C
B
A



Specifications
 Current Rating: 2Amp
 Insulation Resistance: 1000M Min.
 Dielectric Withstanding: 500V AC
 Contact Resistance: 20mΩ Max.
 Operating Temperature: -40°C to +105°C

Materials
 Contact Material: Copper Alloy
 Insulation Material: Polyester, UL94V-0 P.B.T
 All materials must be GP materials

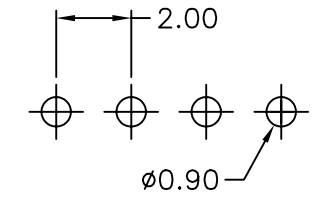
Ordering Information

G PFB101 - XX XX A 01

No. of Pins per Row
01-40

Contact Plating
01=Tin
02=Gold Flash
Duplex Plating
05=Gold Flash/Tin
...

Recommended P.C.Board Hole Layout



格稜股份有限公司
Greenconn Corporation

GENERAL TOLERANCE		DESIGN: XIAO PING	DATE: 11-08-04	DWG. NO. G PFB101-A01	TITLE. 2.00 PIN HEADER SINGLE ROW R/A TYPE BASE 2.00mm
X.* ± 5°	X. ±	CHECKED:	DATE:	PART NO. G PFB101-XX XX A 01	
.X* ± 2°	.X ± 0.38	AUDITED:	DATE:		
.XX* ± 1°	.XX ± 0.25	APPROVED:	DATE:		
.XXX* ± 0.5°	.XXX ± 0.13				

REV.	02	UNIT.	mm	SCALE.	5:1	
------	----	-------	----	--------	-----	--