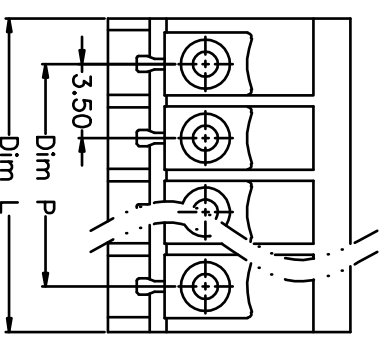
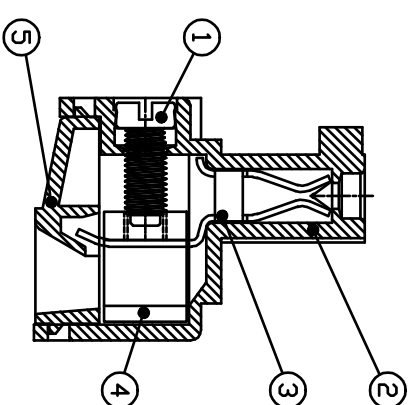
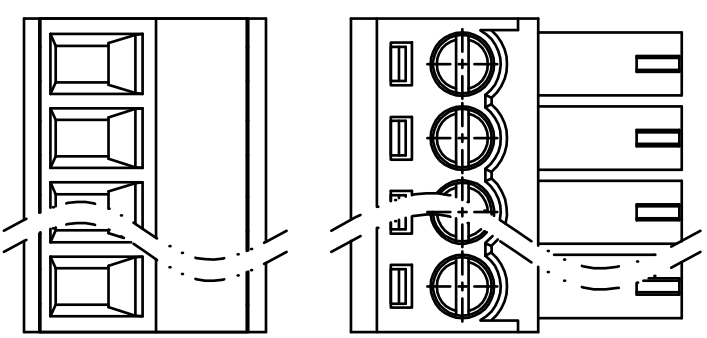
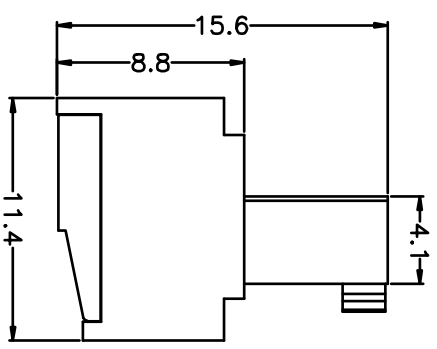


REV.	DESCRIPTION	DATE	DRAWN	APPROVED
A1	DWG.REL	2016/10/7	FANG	YANG



N=Number of Poles
 Dim P=(N-1)x3.50
 Dim L=Nx3.50+0.8

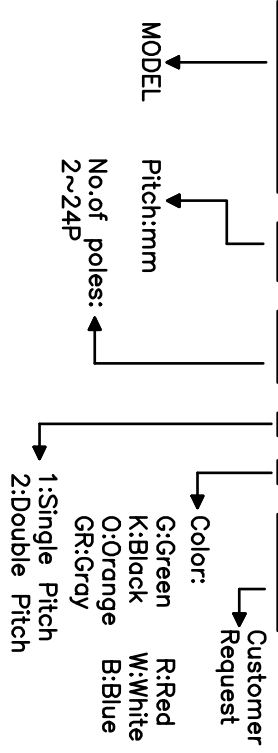
Poles	Dim P	Dim L
2-6P	±0.10	±0.15
7-12P	±0.20	±0.20
13-18P	±0.25	±0.30
19-24P	±0.30	±0.40



- Material
 - ①Screws : M2.0 steel, Zinc plated, "--" slot type
 - ②Housing : PA66, UL94V-0
 - ③Contact : Phosphor bronze, Ni plated
 - ④Clamp : Brass, Ni plated
 - ⑤Cover : PA66, UL94V-0
- Electrical
 - UL IEC
 - Rated voltage : 300V 250V
 - Rated current : 8A 7A
 - Insulation resistance: 500MΩ/DC500V
 - Withstanding Voltage : AC1500V/1min
 - Wire range: 28-16AWG 0.5-1.5mm²
- Mechanical
 - Operating temperature: -40°C~+105°C
 - Soldering temperature: 250°C±5/5sec
 - Torque: 0.2N.m (1.77Lb.in)
 - Strip length: 6-7mm

HOW TO ORDER

KF2EDG-Y-3.5-XXP-1 X-XXXXX



GENERAL TOLERANCE ANGLE TOLERANCE

X.	±0.5	X.	±5°
.X	±0.3	.X.	±3°
.XX	±0.1	.XX.	±1°

DRAWING TYPE	CUSTOMER	SHEET	1 OF 1
SCALE	1:1	SHEET	1 OF 1
DRAWING NO.	XP0012016-xxxx		

PROJECTION TITLE

UNITS	mm	KF2EDG-Y-3.5-XXP	
SHEET SIZE	A4	SERIES	KF2EDG-Y

凯峰电子有限公司
 CIXI KAIFENG ELECTRONIC CO.,LTD