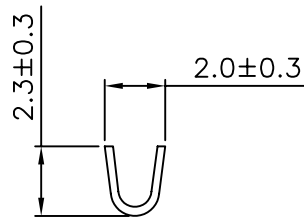
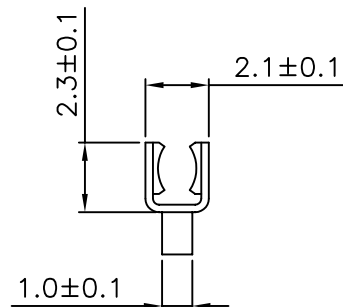


A-A SECTION



B-B SECTION



C-C SECTION

■ SPECIFICATIONS

- Voltage Rating : 250V AC/DC
- Current Rating : 5A AC/DC
- Withstanding Voltage : 1,500V AC/minute
- Insulation Resistance : 1,000MΩ min
- Temperature Range : - 25°C to + 85°C
- Contact Resistance : 20mΩ max

■ TERMINAL

- Part No. : JS-1102-XT (L)  
JS-1102-T(L) : GP Produces  
JS-1102-0 T(L): Non GP Produces
- Applicable Wires : AWG# 18 - 22
- Material : Brass
- Finish : Tin Plated
- Thickness : 0.25mm
- Q' ty : 8000 pcs./Reel



喬訊電子工業股份有限公司  
CHYAO SHIUNN  
ELECTRONIC INDUSTRIAL LTD.

PART NO JS-1102-T(L)  
5.00mm Crimp Style Connectors Terminal

APPROVED BY	SCALE	UNIT	TOLERANCE		LTR	REVISION RECORD	DATE
林陳鏞	4:1	mm	.0	±0.3			
CHECKED BY	PROJ	VER NO.	.00	±0.2			
林勇生		α	.000	±0.1			
DRAWN BY	DATE	SIZE	ANGLE				
邱森鴻	2004/12/31	A4	0°	±			
			.0°	±			