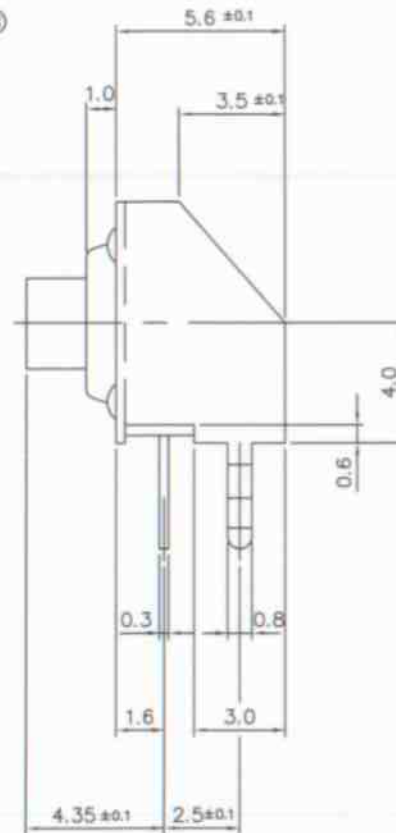
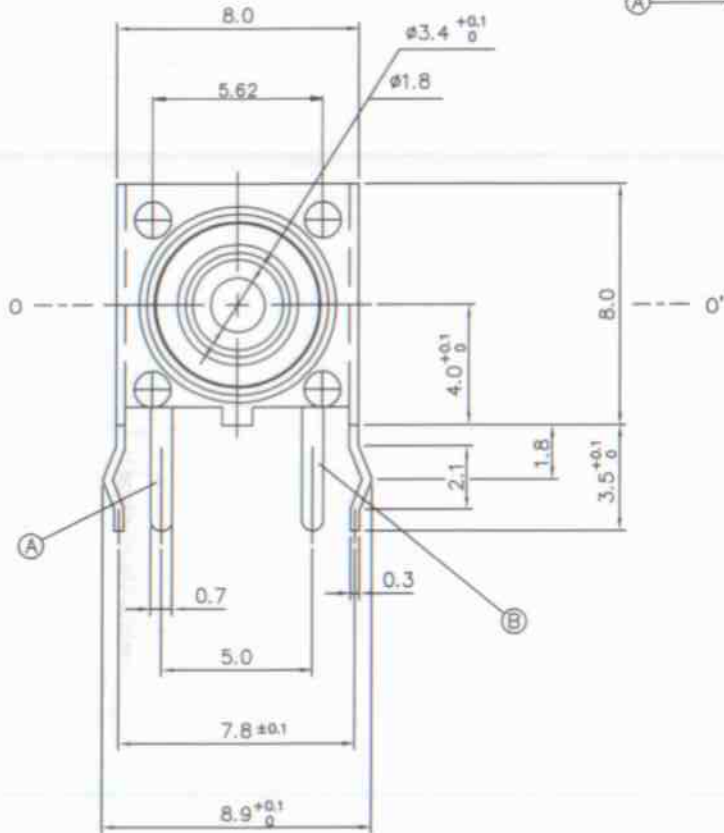
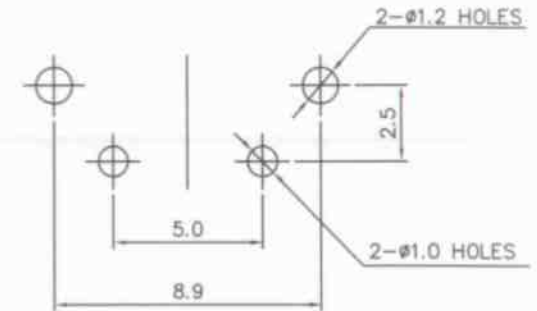


CIRCUIT DIAGRAM



PCS DIMENSION



NOTE

1. OPERATING FORCE : 200 \pm 50gf
2. GENERAL TOLERANCE : \pm 0.2
3. TRAVEL : 0.25^{+0.2}/_{-0.1} m/m
4. CONTACT RESISTANCE : 100m Ω MAX
5. MANUFACTURING SPECIFICATION WOULD BE ACCORDANCE WITH WP0002

| PART NO | PART NAME | Q'TY | MATERIAL | STANDARD | DISPOSITION | REMARKS |
|---------|------------|------|--------------|----------------|-------------|----------------|
| | | | TRIGONOMETRY | UNIT SCALE 5/1 | | MOISTURE PROOF |
| | | | APPD CHKD | DSGD | | |
| | | | | | MODEL | INT1108V50A |
| NO | CORRECTION | | | | | |