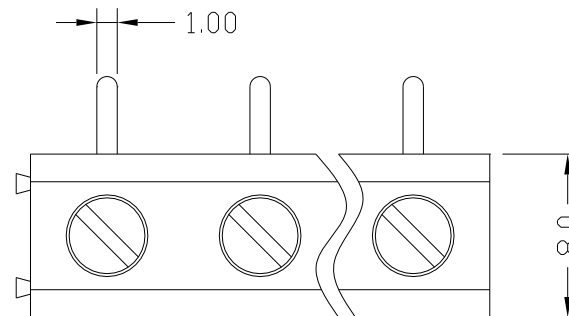
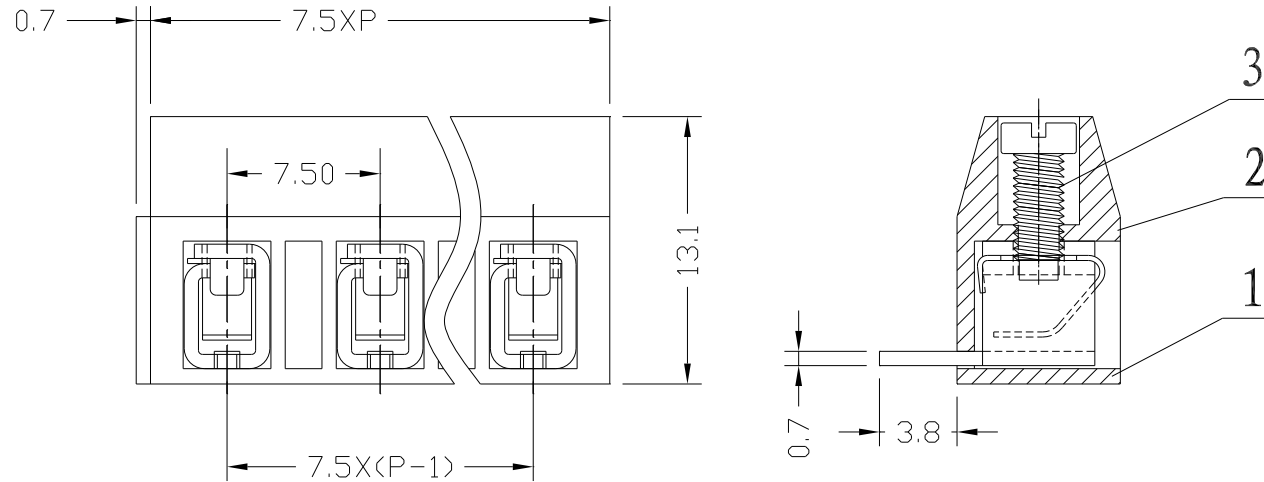


序号/RevNo.	名称/Title	文件编号/File No.
1	XY705R塑件	
2	XY705R端子	
3	XY305螺丝	



250V 16A 2.5mm²

Poles: 2P&3P

Pitch: 7.5mm&15mm

Pin Dimension: 0.7X1.0mm

Materials

Housing: PBT(30% Glass filled)

Solder Pin: Brass,0.7t,Tin Plated.

Screw: M2.5,Steel,Zinc Plated.

Wire Protector: 0.2t,Stainless steel.

设计/Designed by	绘图/Drawing by	审核/Checked by	批准/Approved by	未注公差 General Tolerance	
 XINYA ELECTRONIC CO.,LTD		图名/Title	文件编号/File No.	x. ±0.2	x.' ±2°
		XY705R产品图	页序/Sheet	.x ±0.1	.x' ±1°
备注/Remark				.xx ±0.05	.xx' ±0.5°
				.xxx ±0.01	
				单位/Units: mm	

序号/RevNo.	更改记录/Revision note	签名/Signature	日期/Date