

## Mini-ITX Series

NEW

VIA

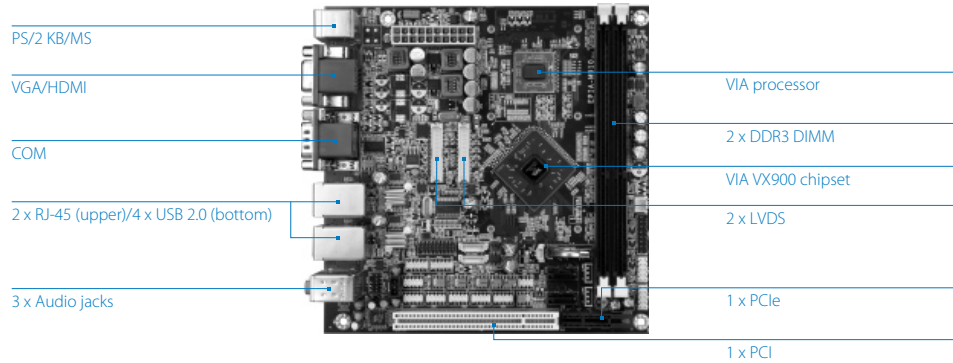
# EPIA-M910

Mini-ITX QuadCore/Nano™ X2/Eden™ X2 Board with Full HD Video Support, SATA, GigaLAN, USB, VGA, HDMI, LVDS & PCIe

## Features

- Integrated VIA Chrome9™ HD DX9 3D/2D graphics with VC1, MPEG-2, WMV9 and H.264 decoding acceleration
- Supports high-bandwidth DDR3, up to 8GB memory
- Support eight COM ports
- Support two SATA
- Supports two Gigabit Ethernet
- Support eight USB 2.0 ports (four as pin headers)
- Support two digital I/O
- Supports one VGA and one HDMI port
- Support one single-channel and one dual-channel 18/24-bit LVDS

## Board Placement

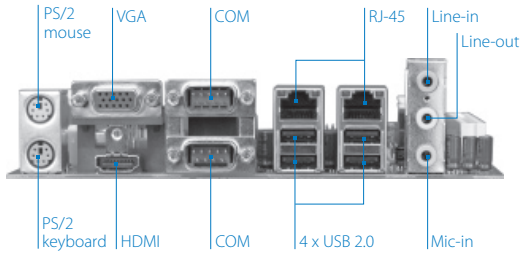


## Specifications

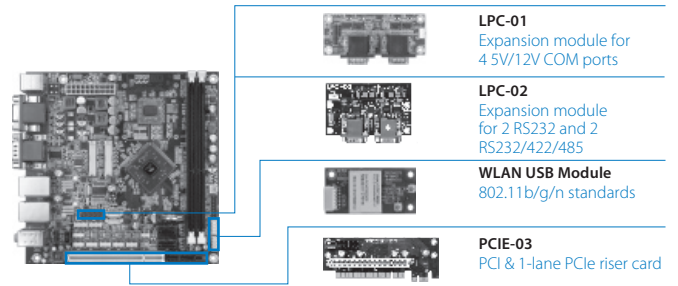
<b>Model Name</b>	<b>EPIA-M910</b>	
<b>Processor</b>	1.2GHz VIA QuadCore (with fan) 1.6GHz VIA Nano™ X2 (with fan) 1.0GHz VIA Eden™ X2 (fanless)	
<b>Chipset</b>	VIA VX900 Media System Processor	
<b>System Memory</b>	2 x DDR3 1066 DIMM Supports up to 8GB memory size The real memory size may show less than 8GB due to some capacity are used for BIOS or other functions	
<b>VGA</b>	Integrated VIA Chrome9™ HD DX9 3D/2D graphics with VC1, MPEG-2, WMV9 and H.264 decoding acceleration	
<b>Onboard Serial ATA</b>	2 x SATA connectors 2 x SATA 3.5" HDD Auxiliary Power ( for DC-in SKU only)	
<b>Onboard LAN</b>	2 x VIA VT6130 PCIe Gigabit Ethernet Controllers	
<b>Onboard Audio</b>	VIA VT2021 High Definition Audio Codec	
<b>Onboard Super IO</b>	Fintek 81865F-I + F81801	
<b>Onboard I/O Connectors</b>	2 x USB 2.0 pin headers for 4 ports 2 x SATA connectors 2 x SATA Power connectors (DC-in SKU) 2 x SATA DOM Power selectors 1 x Dual channel 18/24-bit LVDS (VT1636) 1 x Single channel 18/24-bit LVDS (VX900) 1 x Front audio pin header 1 x PS/2 keyboard/mouse pin header 6 x RS232 pin headers (powered with selectable 5V/12V)	1 x LPC pin header 1 x SMBUS pin header 1 x S/PDIF Out connector 2 x Digital I/O pin headers (GPI x 8, GPO x 8) 1 x Front panel pin header 2 x Smart Fan pin headers for CPU and Sys 1 x ATX or DC-in power connector 1 x PCI slot + 1 PCIe x 1 slot
<b>Back Panel I/O</b>	2 x Serial ports (powered with selectable 5V/12V) 1 x VGA port 1 x HDMI port 2 x GigaLAN ports 4 x USB ports 3 x Audio jacks: Line-in, Line-out and MIC-in 2 x PS/2 KB/MS ports	
<b>I/O Bracket</b>	Standard	
<b>BIOS</b>	AMI BIOS 8Mbit SPI flash memory	
<b>Operating System</b>	Windows 7, Windows Embedded Standard 7, POSReady 7, Windows XP, Windows Embedded Standard/Compact, Linux and VxWorks	
<b>Power</b>	ATX Power or 12V DC-in	
<b>System Monitoring &amp; Management</b>	Wake-on-LAN, Keyboard-Power-on, Timer-Power-on System power management, AC power failure recovery Watch Dog Timer	
<b>Operating Temperature</b>	0°C ~ 60°C	
<b>Operating Humidity</b>	0% ~ 95% (relative humidity; non-condensing)	



## Back Panel I/O



## Accessories



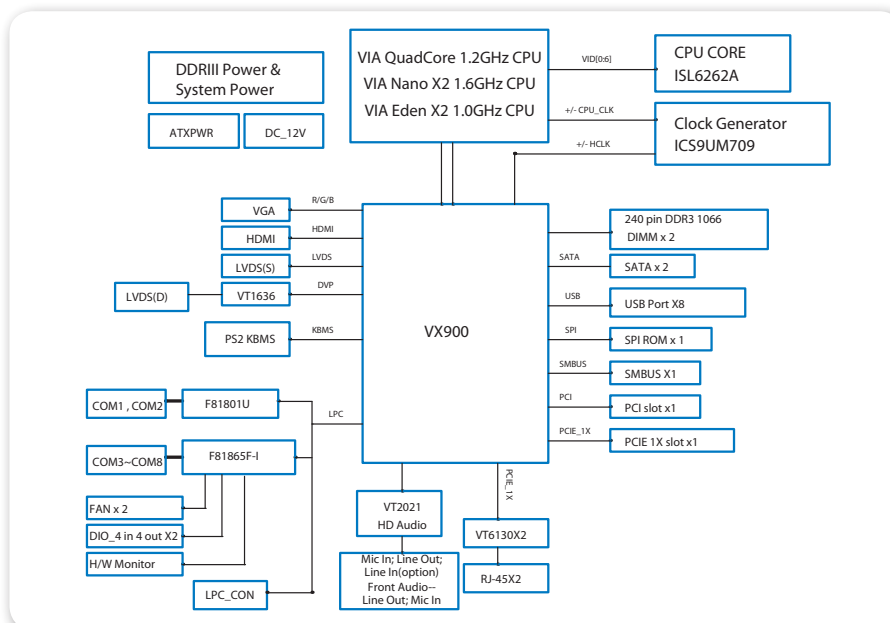
## Specifications

<b>Model Name</b>	<b>EPIA-M910</b>
<b>Form Factor</b>	Mini-ITX, 17 cm x 17 cm
<b>Compliance</b>	CE/FCC/BSMI/RoHS

## Ordering Information

Model Name	CPU Frequency	Description
M910-12Q	1.2GHz QuadCore	Mini-ITX Board with 1.2GHz QuadCore CPU, MPEG-2, WMV9, H.264, 2 x LVDS, 1 x HDMI, 1 x VGA, 8 x COM, 8 x USB, 2 x SATA, 2 x GigaLAN, 1 x PCIe, 1 x PCI, ATX power
M910-12PQ	1.2GHz QuadCore	Mini-ITX Board with 1.2GHz QuadCore CPU, MPEG-2, WMV9, H.264, 2 x LVDS, 1 x HDMI, 1 x VGA, 8 x COM, 8 x USB, 2 x SATA, 2 x GigaLAN, 1 x PCIe, 1 x PCI, DC-in power
M910-16	1.6GHz Nano™ X2	Mini-ITX Board with 1.6GHz Nano™ X2 CPU, MPEG-2, WMV9, H.264, 2 x LVDS, 1 x HDMI, 1 x VGA, 8 x COM, 8 x USB, 2 x SATA, 2 x GigaLAN, 1 x PCIe, 1 x PCI, ATX power
M910-16P	1.6GHz Nano™ X2	Mini-ITX Board with 1.6GHz Nano™ X2 CPU, MPEG-2, WMV9, H.264, 2 x LVDS, 1 x HDMI, 1 x VGA, 8 x COM, 8 x USB, 2 x SATA, 2 x GigaLAN, 1 x PCIe, 1 x PCI, DC-in power
M910-10E	1.0GHz Eden™ X2	Mini-ITX Board with 1.0GHz Eden™ X2 CPU, MPEG-2, WMV9, H.264, 2 x LVDS, 1 x HDMI, 1 x VGA, 8 x COM, 8 x USB, 2 x SATA, 2 x GigaLAN, 1 x PCIe, 1 x PCI, ATX power
M910-10PE	1.0GHz Eden™ X2	Mini-ITX Board with 1.0GHz Eden™ X2 CPU, MPEG-2, WMV9, H.264, 2 x LVDS, 1 x HDMI, 1 x VGA, 8 x COM, 8 x USB, 2 x SATA, 2 x GigaLAN, 1 x PCIe, 1 x PCI, DC-in power

## Block Diagram



## Packing List

Items
1 x SATA cable
1 x Driver CD
1 x I/O bracket
1 x SATA power cable (for DC-in sku only)
1 x DC power cable (for DC-in sku only)