

**Product number C11192_TUIJA-3-SS**

| | | | |
|-----------------|------------------|-------------------|------------|
| Family | Tuija | FWHM | 12 degrees |
| Type | Lens array | Efficiency | 90 % |
| LED | XP-E | cd/lm | 14.100 |
| Color | Clear | Gerber File | Available |
| Diameter | 50 mm | MR16 Applications | |
| Height | 14.5 mm | | |
| Style | Round | | |
| Optic Material | PMMA | | |
| Holder Material | - | | |
| Fastening | ["glue", "pin"] | | |
| Status | Production ready | | |

**Product number C11193_TUIJA-3-M**

| | | | |
|-----------------|------------------|-------------------|------------|
| Family | Tuija | FWHM | 19 degrees |
| Type | Lens array | Efficiency | 82 % |
| LED | XP-E | cd/lm | 5.100 |
| Color | Clear | Gerber File | Available |
| Diameter | 50 mm | MR16 Applications | |
| Height | 14.5 mm | | |
| Style | Round | | |
| Optic Material | PMMA | | |
| Holder Material | - | | |
| Fastening | ["pin", "glue"] | | |
| Status | Production ready | | |

**Product number C12150_TUIJA-3-M2**

| | | | |
|-----------------|------------------|-------------------|------------|
| Family | Tuija | FWHM | 34 degrees |
| Type | Lens array | Efficiency | 86 % |
| LED | XP-E | cd/lm | 2.200 |
| Color | Clear | Gerber File | Available |
| Diameter | 50 mm | MR16 Applications | |
| Height | 14.5 mm | | |
| Style | Round | | |
| Optic Material | PMMA | | |
| Holder Material | - | | |
| Fastening | ["pin", "glue"] | | |
| Status | Production ready | | |

**Product number C11191_TUIJA-3-W**

| | | | |
|-----------------|------------------|-------------------|------------|
| Family | Tuija | FWHM | 58 degrees |
| Type | Lens array | Efficiency | 86 % |
| LED | XP-E | cd/lm | 0.920 |
| Color | Clear | Gerber File | Available |
| Diameter | 50 mm | MR16 Applications | |
| Height | 14.5 mm | | |
| Style | Round | | |
| Optic Material | PMMA | | |
| Holder Material | - | | |
| Fastening | ["glue", "pin"] | | |
| Status | Production ready | | |



PRODUCT DATASHEET

Tuija series

last update 1/12/2014

NOTE: The typical divergence will be changed by different color, chip size and chip position tolerance. The typical total divergence is the full angle measured where the luminous intensity is half of the peak value.



PRODUCT DATASHEET

Tuija series

last update 1/12/2014

GENERAL INFORMATION

- Product series especially designed & optimized for XP-E series of LEDs.
- Special care taken to make light distribution as uniform as possible.
- Lens material optical grade PMMA with high UV and temperature resistance. Allows use of high current and temperature conditions.

Please find more information about used material from below:

http://ledil.fi/sites/default/files/Documents/Technical/Material/PMMA%20N%20UL94_Yellow%20Card.pdf

<http://ledil.fi/sites/default/files/Documents/Technical/Material/PMMA%20N%20PLEXIGLAS-Datasheet.pdf>

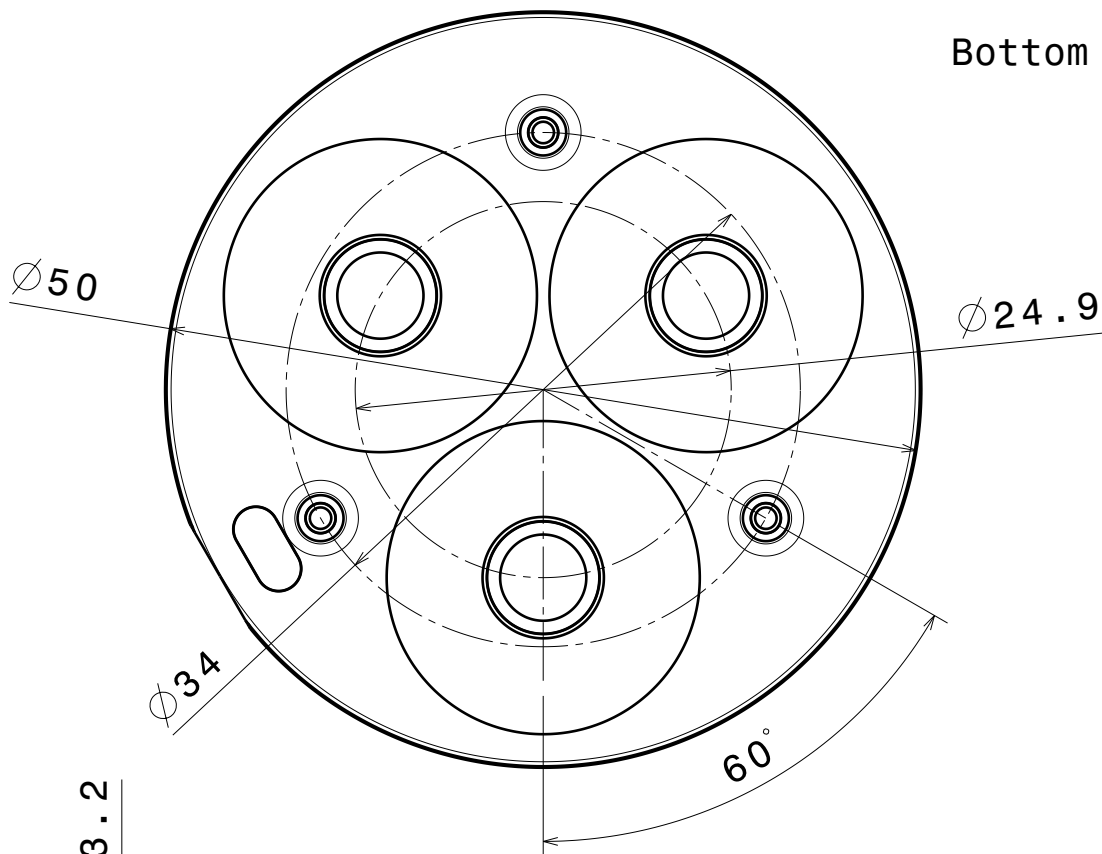
D

C

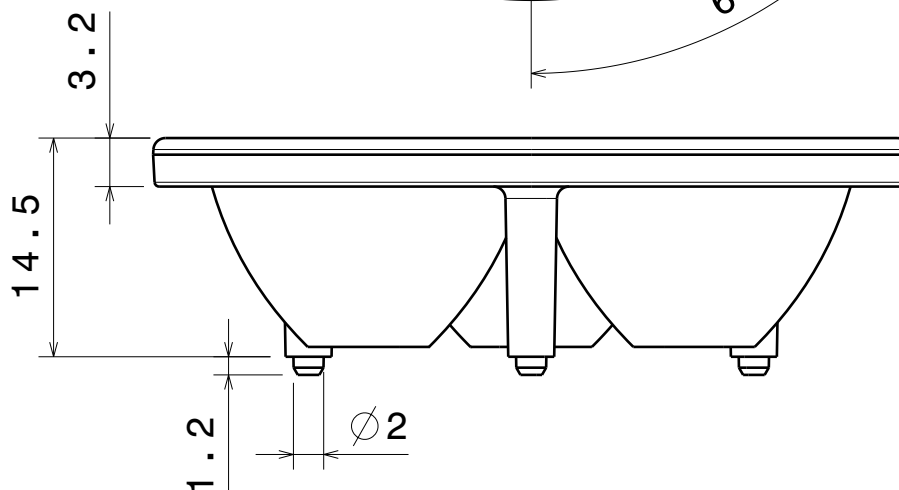
B

A

Bottom view



Front view



Part no.s:
 C11191_Tuija-3-W
 C11192_Tuija-3-SS
 C11193_Tuija-3-M

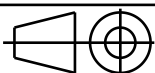
| INDEX | DESCRIPTION | MATERIAL | COLOUR |
|-------|-------------|----------|--------|
| 1 | TUIJA3_LENS | PMMA | |

Tolerances if not otherwise shown
 According to DIN ISO 2768-1
 Linear measures:
 up to 30mm class M, otherwise class C
 According to DIN ISO 2768-2
 Form and position: class L

LEDiL

Ledil Oy
 Salorankatu 10
 FIN 24240 SALO
 Finland

THIRD ANGLE PROJECTION:



DRAWING TITLE

TUIJA3 lens family

This drawing is the property
 of LEDiL Oy. It may not be
 reproduced, copied or
 communicated without a written
 agreement with LEDiL Oy.

SIZE PART NUMBER

A4

-

SCALE 2:1 WEIGHT

-

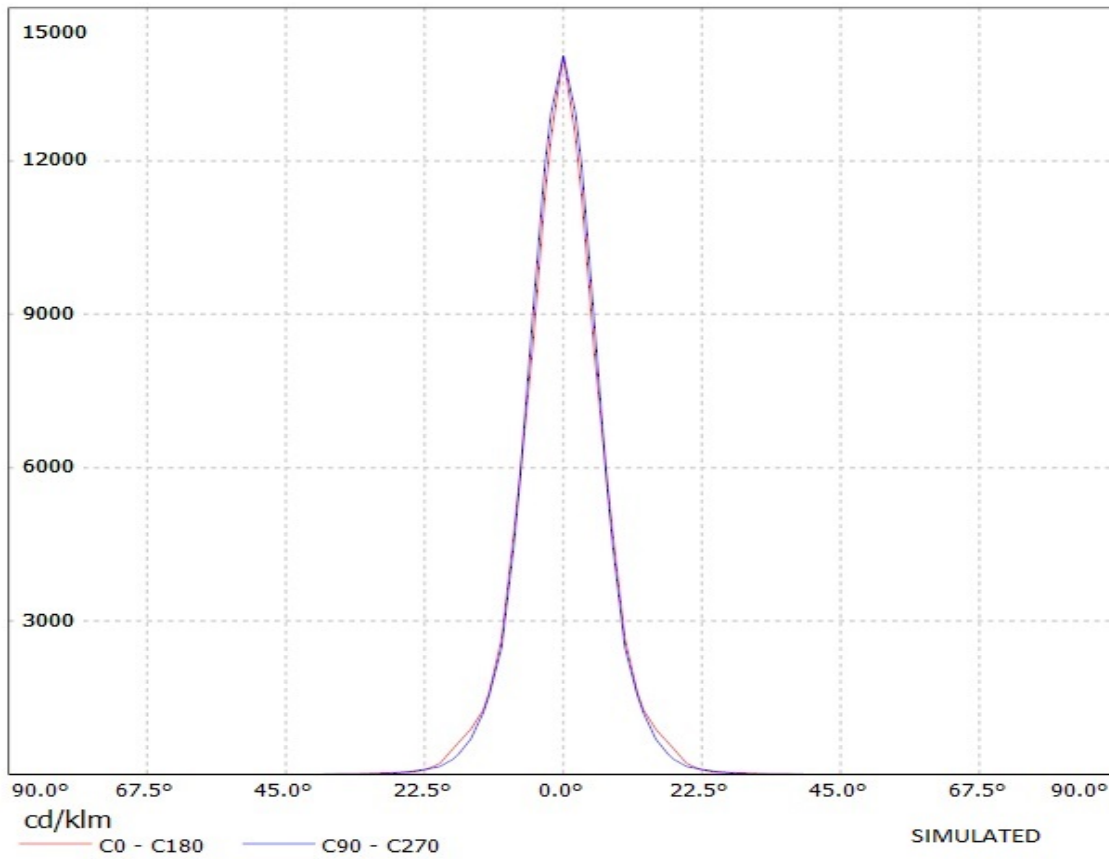
SHEET 1/1

D

A

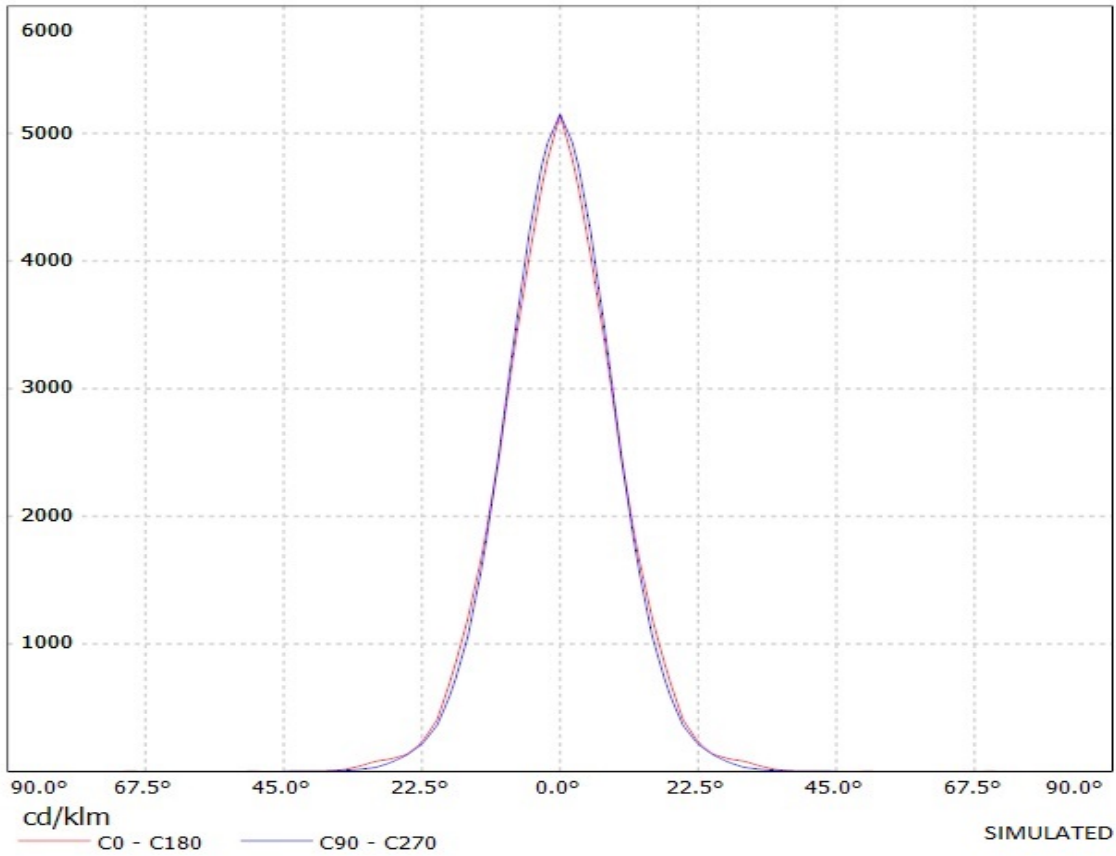
Ledil Oy C11192_Tuija-3-SS-XP. C11192_Tuija-3-SS-XP / LDC (Linear)

Luminaire: Ledil Oy C11192_Tuija-3-SS-XP. C11192_Tuija-3-SS-XP
Lamps: 1 x 3xCree XP-E 228lm 250mA



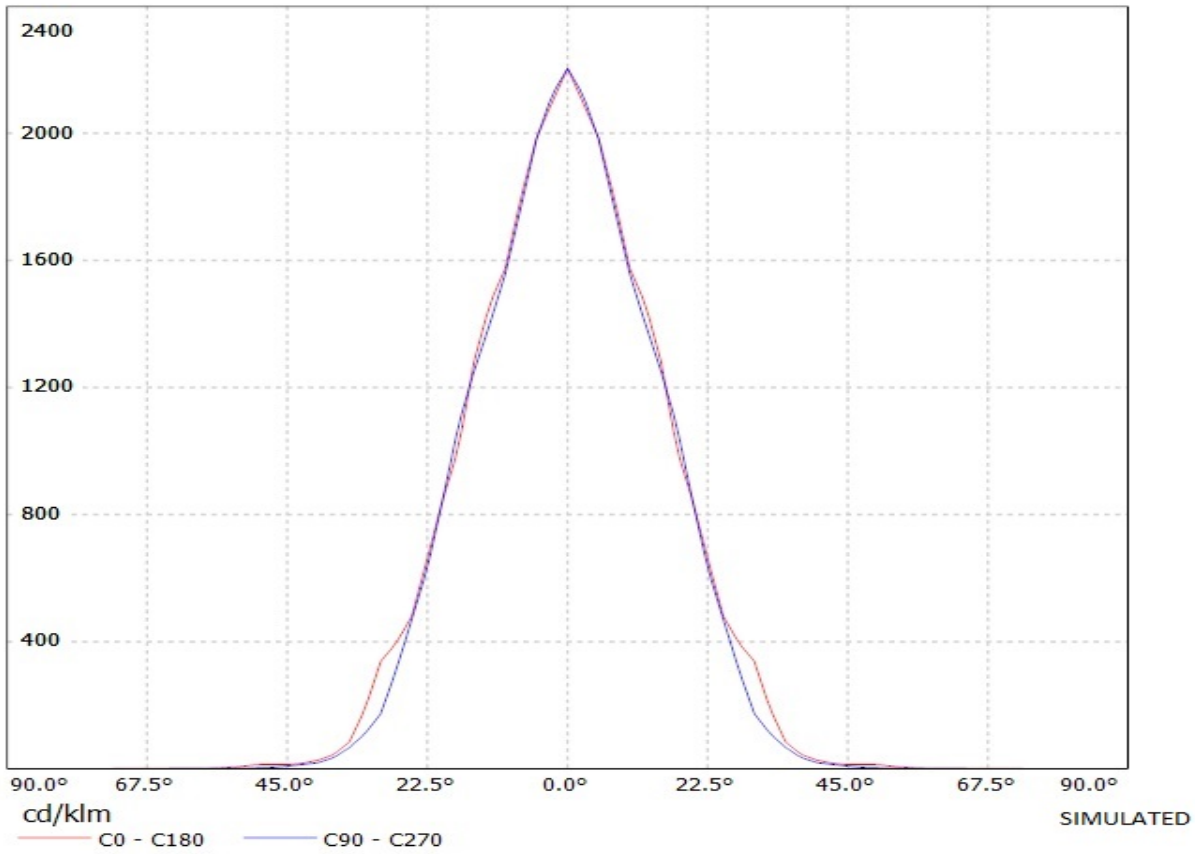
C11193_Tuija-3-M-XP C11193_Tuija-3-M-XP / LDC (Linear)

Luminaire: C11193_Tuija-3-M-XP C11193_Tuija-3-M-XP
Lamps: 1 x 3xCree XP-E 228lm 250mA

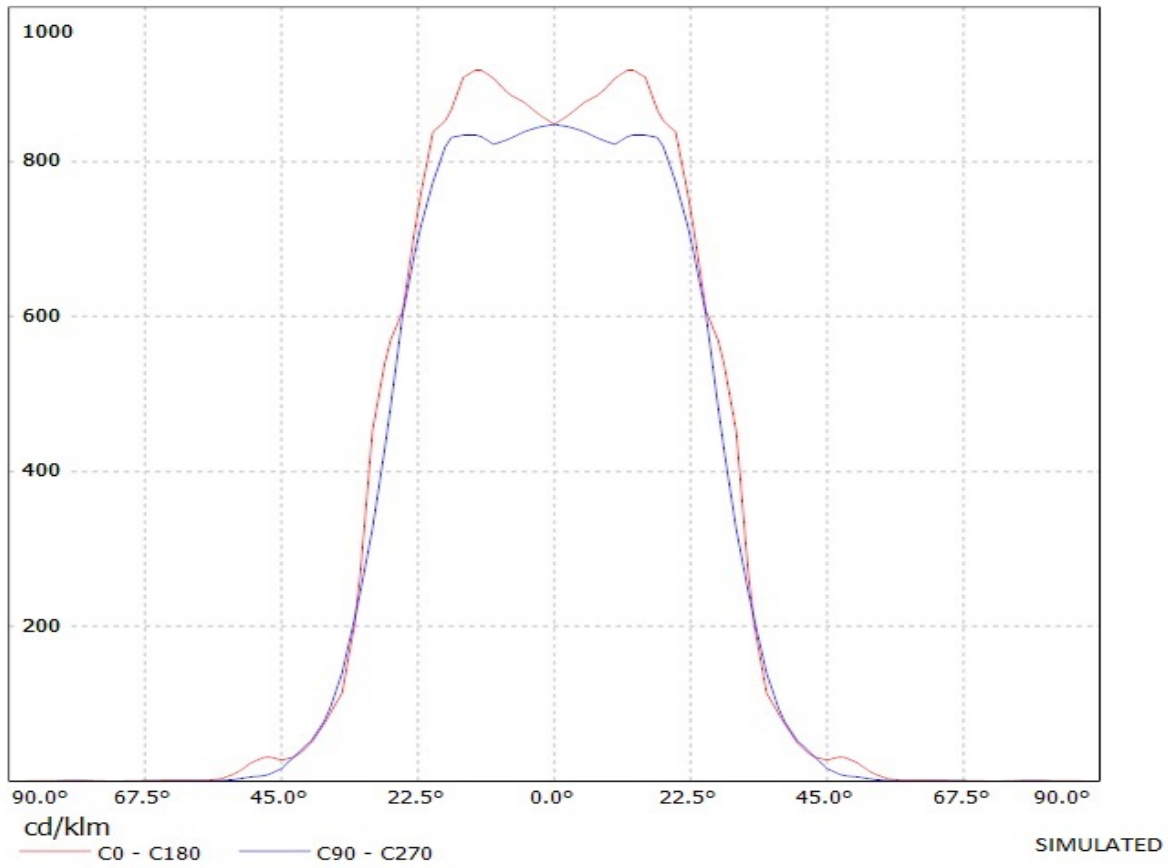


Ledil Oy C12150_Tuija-M2_XP C12150_Tuija-M2_XP / LDC (Linear)

Luminaire: Ledil Oy C12150_Tuija-M2_XP C12150_Tuija-M2_XP
Lamps: 1 x 3xCree XP-E 228lm 250mA



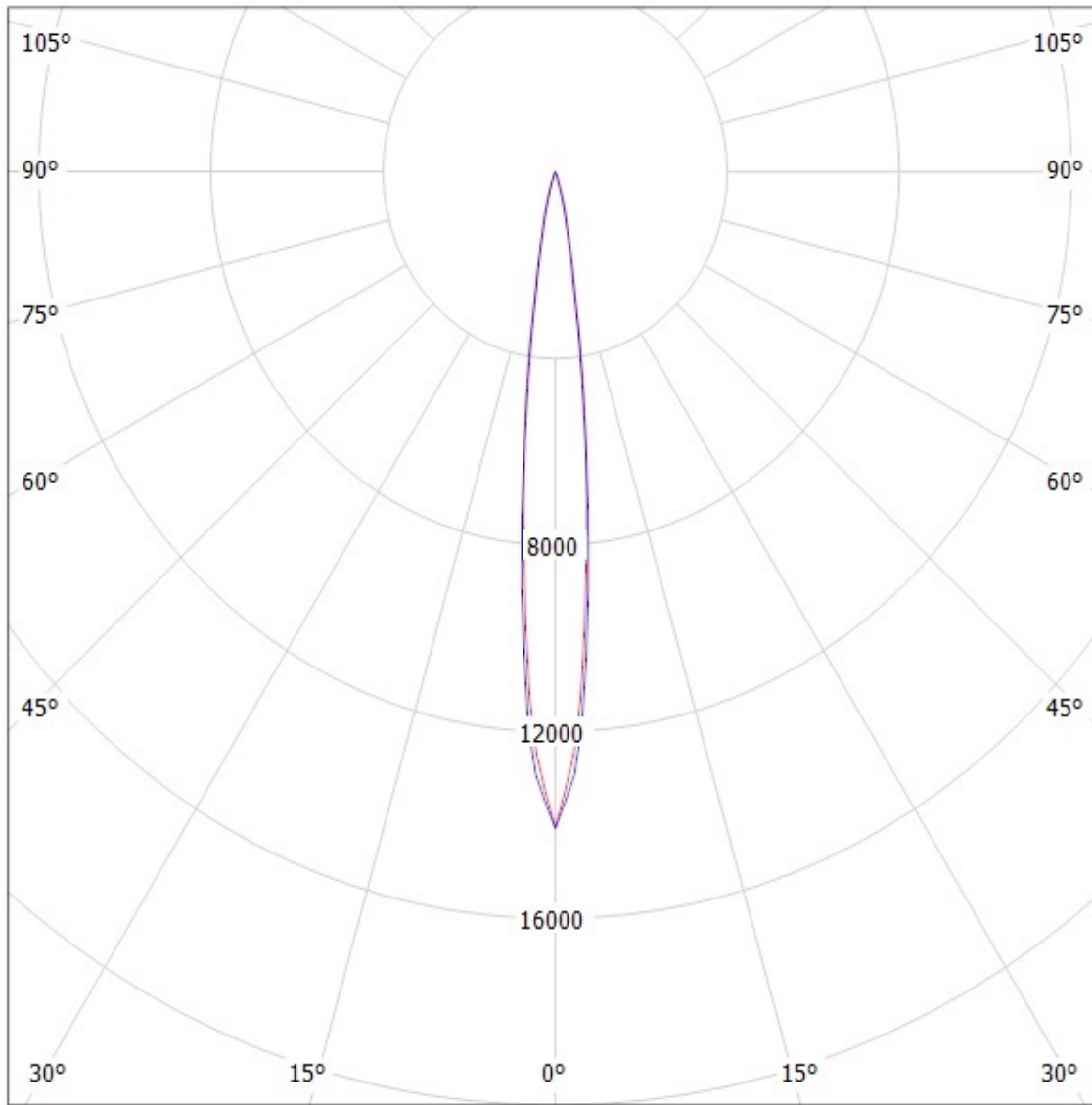
Luminaire: Ledil Oy C11191_Tuija-3-W-XP
Lamps: 1 x 3xCree XP-E 228lm 250mA



Ledil Oy C11192_Tuija-3-SS-XP. C11192_Tuija-3-SS-XP / LDC (Polar)

Luminaire: Ledil Oy C11192_Tuija-3-SS-XP. C11192_Tuija-3-SS-XP

Lamps: 1 x 3xCree XP-E 228lm 250mA



cd/klm

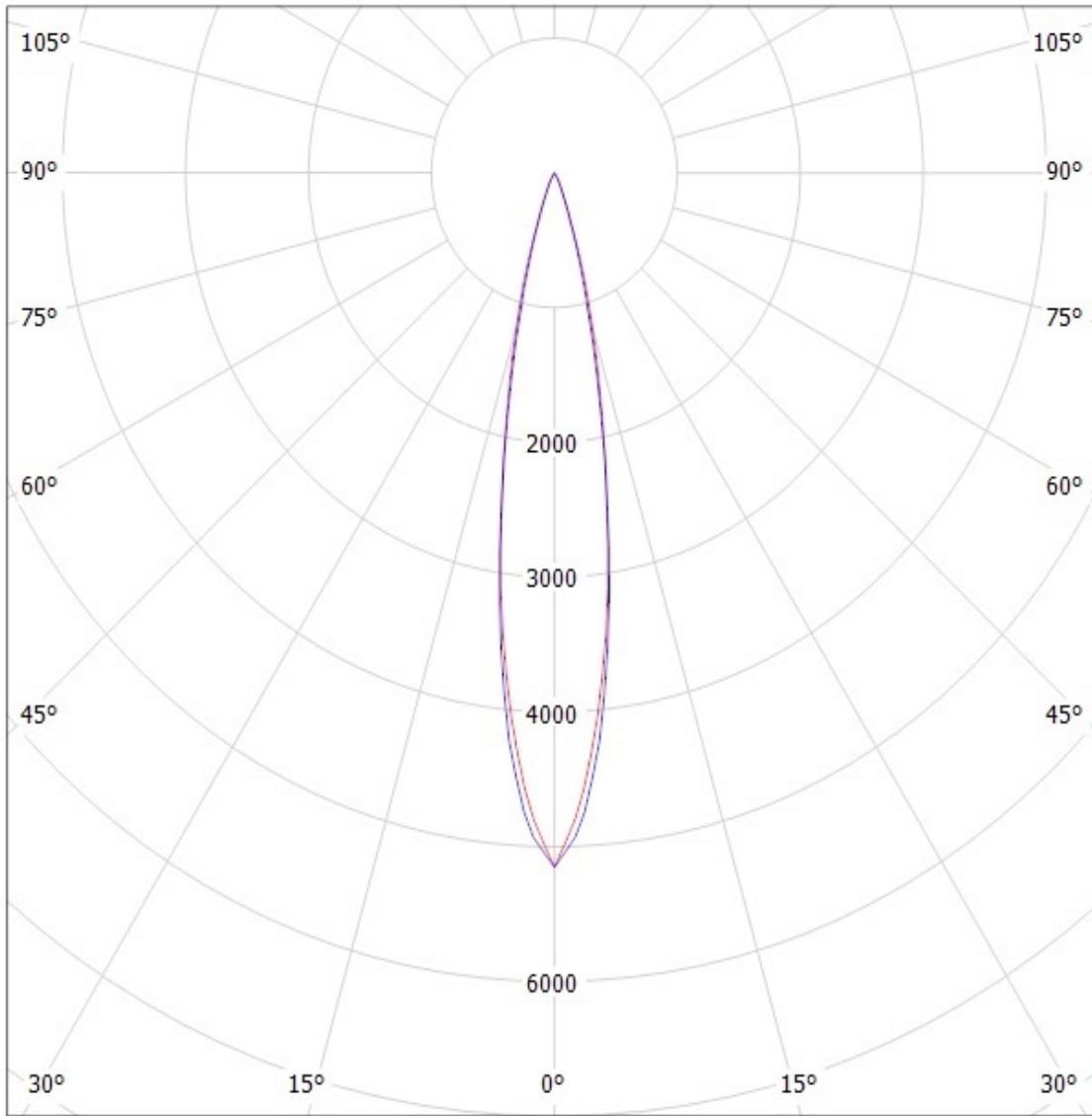
— C0 - C180

— C90 - C270

SIMULATED

C11193_Tuija-3-M-XP C11193_Tuija-3-M-XP / LDC (Polar)

Luminaire: C11193_Tuija-3-M-XP C11193_Tuija-3-M-XP
Lamps: 1 x 3xCree XP-E 228lm 250mA



cd/klm

— C0 - C180

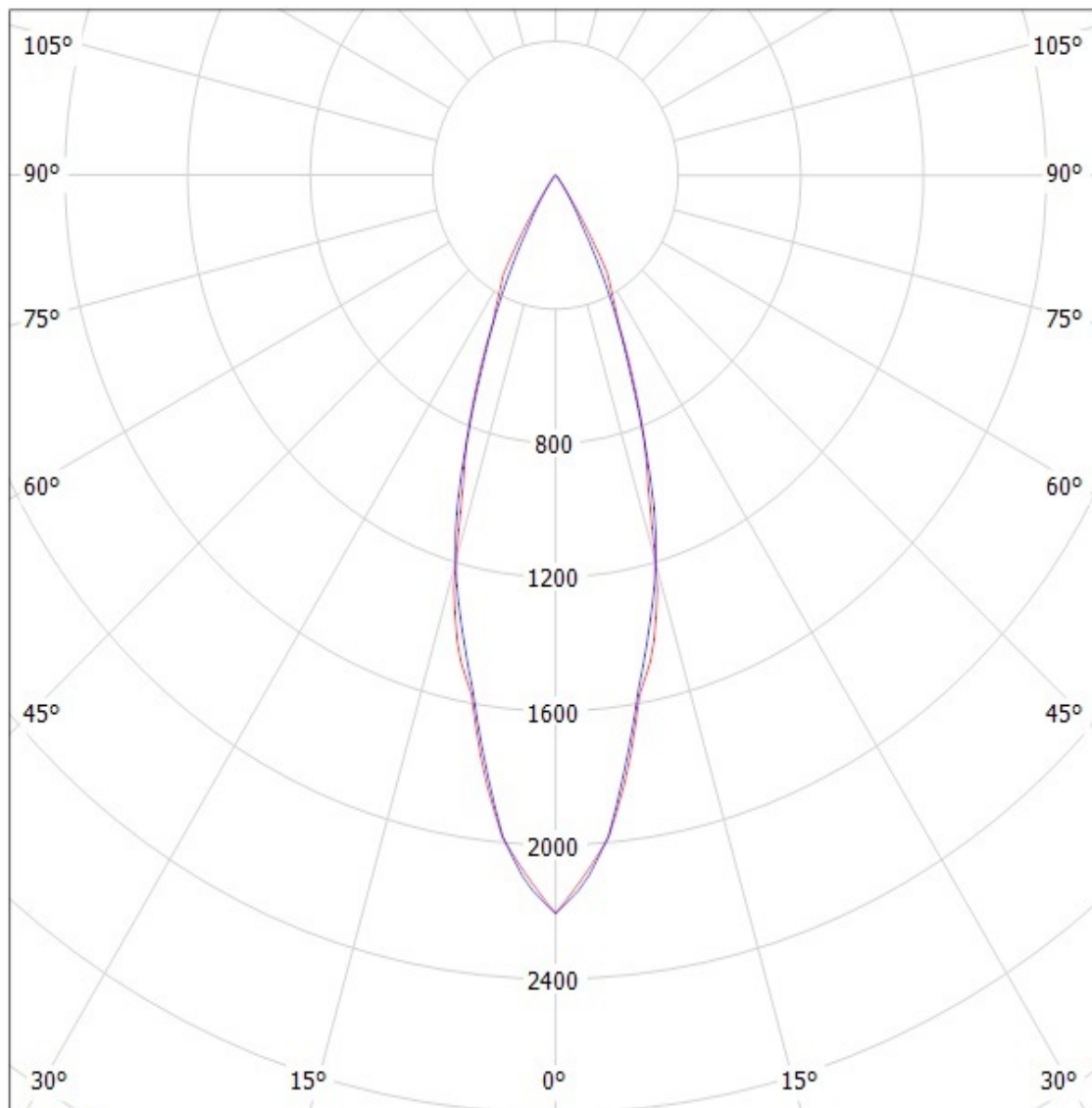
— C90 - C270

SIMULATED

Ledil Oy C12150_Tuija-M2_XP C12150_Tuija-M2_XP / LDC (Polar)

Luminaire: Ledil Oy C12150_Tuija-M2_XP C12150_Tuija-M2_XP

Lamps: 1 x 3xCree XP-E 228lm 250mA



cd/klm

— C0 - C180

— C90 - C270

SIMULATED