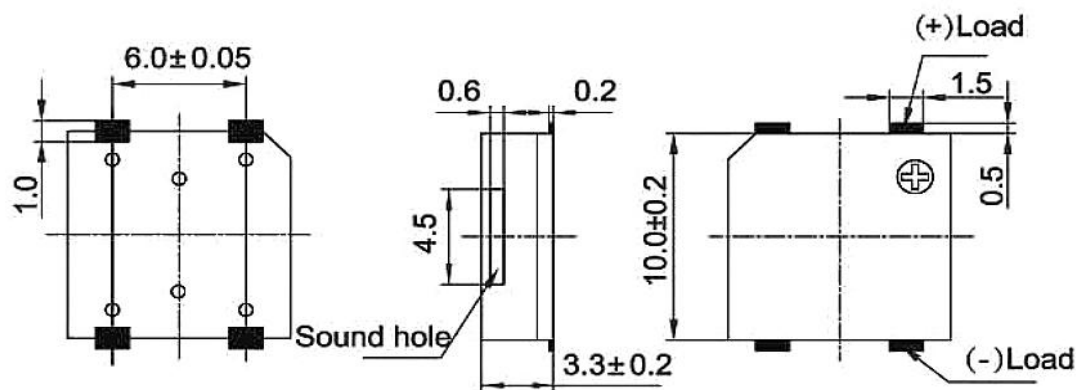
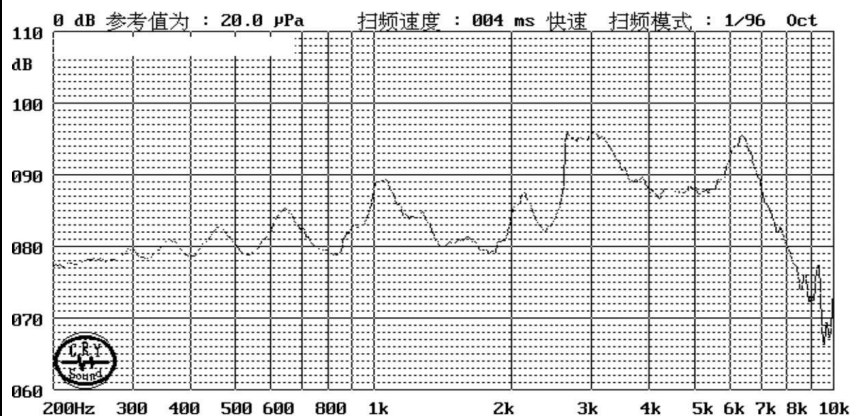
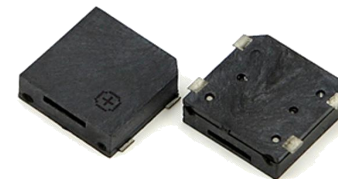


SPECIFICATION		
1	Model No.	BUZ-EET1033BS-3.6L-273-18-R
2	Rated Voltage (V)	3.6
3	Operating Voltage (V)	2.5~4.5
4	Resonant Frequency (Hz)	2730
5	Coil Resistance (Ω)	18 \pm 3
6	*Sound Output at 10cm (dB)	\geq 93
7	*Current Consumption (mA)	\leq 90
8	Operating Temperature ($^{\circ}$ C)	-20~+85
9	Storage Temperature ($^{\circ}$ C)	-30~+85
10	Weight (g)	0.8
11	Housing Material	LCP
12	RoHS	Yes

REVISION HISTORY			
LTR	DESCRIPTION	DATE	APPROVED
-	RELEASED FROM ENGINEERING	9/23/2003	Y M
A			
B			
C			



Package: 800pcs/reel
8kpcs/35x35x37cm/9kg/carton

NOTES:

- 1.ALL DIMENSIONS ARE IN MILLIMETERS
- 2.SPECIFICATIONS SUBJECT TO CHANGE WITHOUT NOTICE

SIZE	Designed by	Date	Checked by	Date	Approved by	Date	Drawed date
A4							
	BUZ-EET1033BS-3.6L-273-18-R						
	TRANSDUCER		Edition				