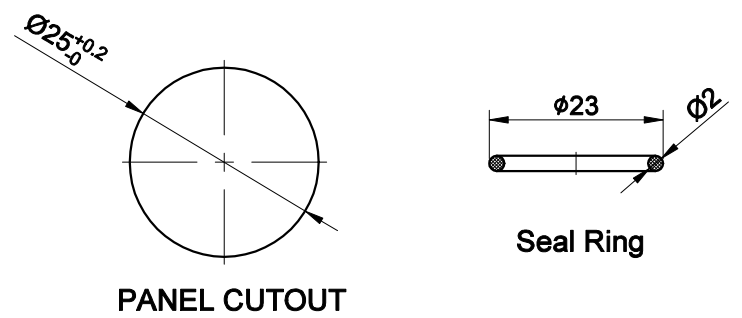


FOR 客户名称	APPROVED 客户确认签字	ATTN 销售负责人



The shaded part is illuminated

SWITCH FUNCTIONS

	1LED	2LED	NOTE
10			
10Z			
10T30			1.Initial Condition: OFF; The switch is ON when finger touches, and change to ON automatically after 30 seconds. And during the 30 seconds, the switch remains ON no matter how your finger touches. 2.Other delay time can be customized

Part Number: TS25D□YSS△▲

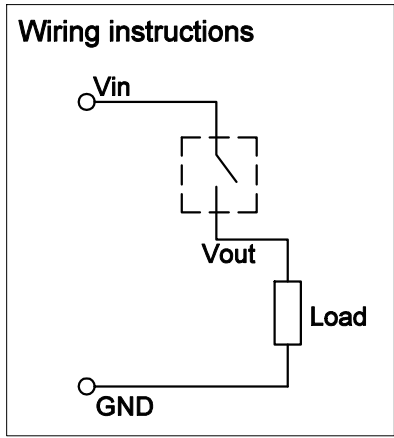
"□"				"△"		
1 LED		2 LED				
NR	Non-illum./Red	RG	Red/Green	"□"	Electrical function	
NG	Non-illum./Green	RB	Red/Blue		10	NO Momentary
NO	Non-illum./Orange	BG	Blue/Green		10Z	NO Latching
NB	Non-illum./Blue	WO	White/Orange		10T30	NO Latching delay 30s
NW	Non-illum./White	GR	Green/Red	"▲"	LED voltate	
RN	Red/Non-illum.	BR	Blue/Red		05V	DC 5V
GN	Green/Non-illum.	GB	Green/Blue		12V	DC 12V
ON	Orange/Non-illum.	OW	Orange/White		24V	DC 24V
BN	Blue/Non-illum.					
WN	White/Non-illum.					

SPECIFICATIONS:

- 1.Max.Switch Rating: 500mA/24VDC.
- 2.Electrical Life: 50 Million cycles at full load.
- 3.Contact Resistance: ≤ 20mΩ.
- 4.Insulation Resistance: ≥10MΩ 600VDC.
- 5.Operating Temperature: -25°C ~ +55°C.
- 6.IK class: IK10.
- 7.IP class: IP67.

MATERIALS:

- 1.Body: Stainless steel.
- 2.Cable: UL1430 22AWG.



BRAND 品牌 **ONPOW** 红波按钮制造有限公司 ONPOW PUSH BUTTON MANUFACTURE CO.,LTD.

THESE DRAWINGS AND SPECIFICATIONS ARE THE PROPERTY OF ONPOW PUSH BUTTON MANUFACTURE CO.,LTD. AND SHALL NOT BE REPRODUCED COPIED OR USED IN ANY MANNER WITHOUT THE PRIOR WRITTEN CONSENT OF ONPOW PUSH BUTTON MANUFACTURE CO.,LTD.	USED 用途	APPD 审核	CH 2021/06/25
	FINISH 处理	CHKD 校对	NCH 2021/06/25
	SCALE 比例	DR. 制图	YDY 2021/06/25
	UNIT 单位		mm
DIMENSIONS		TOLERANCE	
0.00 TO 3.00mm		±0.25mm	
3.01 TO 6.00mm		±0.30mm	
6.01 TO 10.00mm		±0.38mm	
10.01 TO 18.00mm		±0.43mm	
18.01 TO 30.00mm		±0.52mm	
30.01 TO 50.00mm		±0.62mm	
50.01 TO 80.00mm		±0.74mm	
TITLE 名称		TS Series Touch switch	
DWG NO. 图号		TS25D-NO	
FILE NAME 档案名称		SHEET 张	1 / 1
Government standard: GB/T 1800.1-2009; Grade of tolerance: IT14.		REV. 更改	1