

FOR 客户名称	APPROVED 客户确认签字	ATTN 销售负责人

SWITCH FUNCTIONS

	1LED	2LED	NOTE
10			
10Z			
10T30			1.Initial Condition: OFF; The switch is ON when finger touches, and change to OFF automatically after 30 seconds. And during the 30 seconds, the switch remains ON no matter how your finger touches. 2.Other delay time can be customized.

Part Number: TS22D□YSS△▲

"□"	Electrical function
10	NO Momentary
10Z	NO Latching
10T30	NO Latching delay 30s
"▲"	LED volvate
05V	DC 5V
12V	DC 12V
24V	DC 24V

"△"			
1 LED		2 LED	
NR	Non-illum./Red	RG	Red/Green
NG	Non-illum./Green	RB	Red/Blue
NO	Non-illum./Orange	BG	Blue/Green
NB	Non-illum./Blue	WO	White/Orange
NW	Non-illum./White	GR	Green/Red
RN	Red/Non-illum.	BR	Blue/Red
GN	Green/Non-illum.	GB	Green/Blue
ON	Orange/Non-illum.	OW	Orange/White
BN	Blue/Non-illum.		
WN	White/Non-illum.		

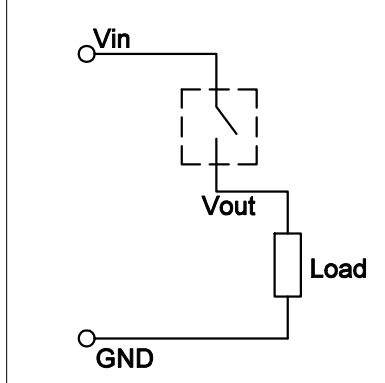
SPECIFICATIONS:

- 1.Max.Switch Rating: 500mA/24VDC.
- 2.Electrical Life: 50 Million cycles at full load.
- 3.Contact Resistance: ≤ 20mΩ.
- 4.Insulation Resistance: ≥10MΩ 600VDC.
- 5.Operating Temperature: -25°C ~ +55°C.
- 6.IK class: IK10.
- 7.IP class: IP67.

MATERIALS:

- 1.Body: Stainless steel.
- 2.Cable: UL1430 22AWG.

Wiring instructions



BRAND
品牌 **ONPOW**

THESE DRAWINGS AND SPECIFICATIONS ARE THE PROPERTY OF ONPOW PUSH BUTTON MANUFACTURE CO.,LTD. AND SHALL NOT BE REPRODUCED COPIED OR USED IN ANY MANNER WITHOUT THE PRIOR WRITTEN CONSENT OF ONPOW PUSH BUTTON MANUFACTURE CO.,LTD.

Government standard: GB/T 1800.1-2009;
Grade of tolerance: IT14.

红波按钮制造有限公司
ONPOW PUSH BUTTON MANUFACTURE CO.,LTD.

USED 用途	APPD 审核	CH 2020/05/06
FINISH 处理	CHKD 校对	NCH 2020/05/06
SCALE 比例	UNIT 单位	DR. 制图
1.1 / 1	mm	ZPD 2020/05/06

DIMENSIONS	TOLERANCE
0.00 TO 3.00mm	±0.25mm
3.01 TO 6.00mm	±0.30mm
6.01 TO 10.00mm	±0.38mm
10.01 TO 18.00mm	±0.43mm
18.01 TO 30.00mm	±0.52mm
30.01 TO 50.00mm	±0.62mm
50.01 TO 80.00mm	±0.74mm

TITLE 名称	TS Series Touch switch	
DWG NO. 图号	TS22D-NO高电平	
FILE NAME 档案名称	TS22D.DWG	SHEET 张
		1 / 1
		REV. 更改
		1