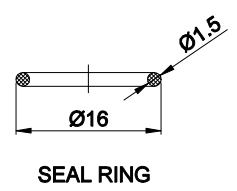
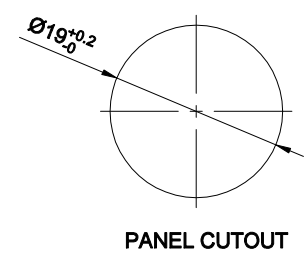
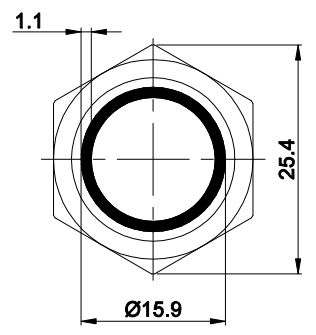


| | | | | | | |
|-------------|---|--------------------|---|---------------|---|---|
| 1 | 2 | 3 | 4 | 5 | 6 | 7 |
| FOR 客户名称 | | APPROVED 客户确认签字 | | ATTN 销售负责人 | | |

THE SHADED PART IS ILLUMINATED



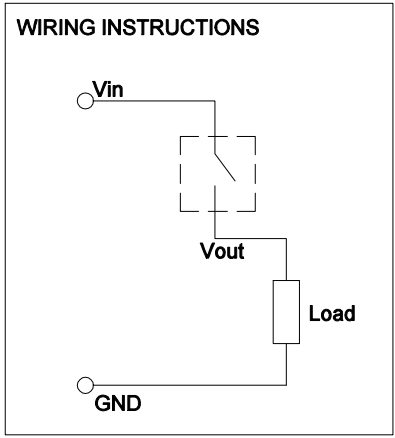
SWITCH FUNCTIONS

| | 1LED | 2LED | NOTE |
|-------|------|------|---|
| 10 | | | |
| 10Z | | | |
| 10T30 | | | 1.INITIAL CONDITION: OFF; THE SWITCH IS ON WHEN FINGER TOUCHES,AND CHANGE TO OFF AUTOMATICALLY AFTER 30 SECONDS. AND DURING THE 30 SECONDS, THE SWITCH REMAINS ON NO MATTER HOW YOUR FINGER TOUCHES. 2.OTHER DELAY TIME CAN BE CUSTOMIZED. |

PART NUMBER: TS19A□YSS△▲

| | | "△" | | "□" | |
|----|------------------|-------|------------|---------------------|-----------------------|
| | | 1 LED | 2 LED | ELECTRICAL FUNCTION | |
| NR | NON-ILLUM./RED | RG | RED/GREEN | 10 | NO MOMENTARY |
| NG | NON-ILLUM./GREEN | RB | RED/BLUE | 10Z | NO LATCHING |
| NB | NON-ILLUM./BLUE | BG | BLUE/GREEN | 10T30 | NO LATCHING DELAY 30S |
| NW | NON-ILLUM./WHITE | GR | GREEN/RED | | |
| RN | RED/NON-ILLUM. | BR | BLUE/RED | "▲" | LED VOLVATE |
| GN | GREEN/NON-ILLUM. | GB | GREEN/BLUE | 05V | DC 5V |
| BN | BLUE/NON-ILLUM. | | | 12V | DC 12V |
| WN | WHITE/NON-ILLUM. | | | 24V | DC 24V |

- SPECIFICATIONS:**
- MAX.SWITCH RATING: 500mA/24VDC.
 - ELECTRICAL LIFE: 50 MILLION CYCLES AT FULL LOAD.
 - INSULATION RESISTANCE: ≥10MQ 600VDC.
 - OPERATING TEMPERATURE: -25°C ~ +55°C.
 - IK CLASS: IK06.
 - IP CLASS: IP67.
 - GENERAL TOLERANCE: 0-18mm=±0.25, 18-80mm=±0.52.



- MATERIALS:**
- BODY: STAINLESS STEEL.
 - CABLE: UL1430 22AWG.

| | | | | | |
|----------------|------------------------|--|----------------|------------------|------------|
| BRAND 品牌 | | 红波按钮制造有限公司 | | | |
| ONPOW 欧宝龙® | | ONPOW PUSH BUTTON MANUFACTURE CO.,LTD. | | | |
| TITLE 名称 | TS SERIES TOUCH SWITCH | | | | UNIT 单位 mm |
| DWG NO. 图号 | TS19A-NO | | | SCALE 比例 1.2 : 1 | SIZE 图纸 A4 |
| FILE NAME 档案名称 | TS19A.DWG | DRAWN 制图 | CRL 2023/02/02 | SHEET 张 1/1 | REV. 更改 1 |