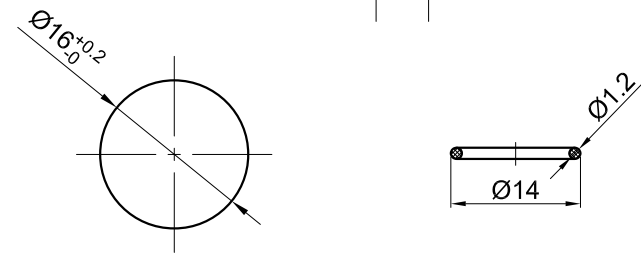
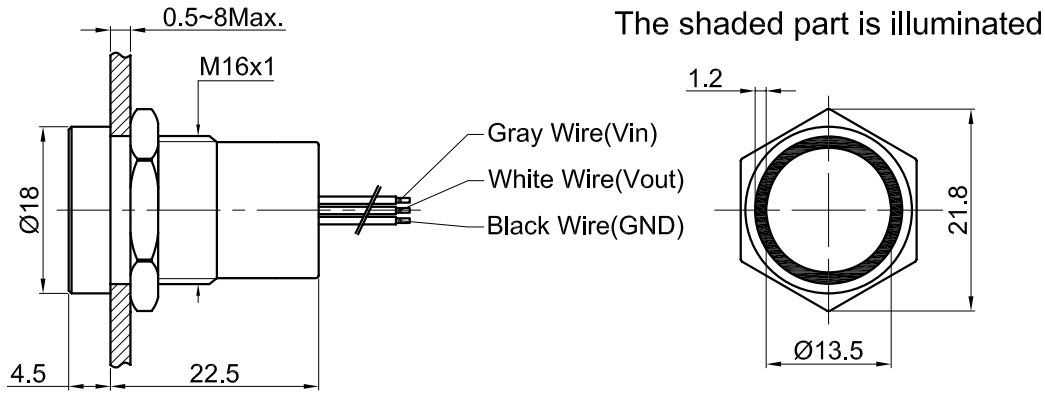


REV. 更改	DESCRIPTION 说明	ENG. 修改人	APPROVE 审核
------------	-------------------	-------------	---------------



PANEL CUTOUT
MAX.PANEL THICKNESS
8 mm

Seal Ring

SWITCH FUNCTIONS

	1LED	2LED	NOTE
10			
10Z			
10T30			1.Initial Condition: OFF; The switch is ON when finger touches, and change to OFF automatically after 30 seconds. And during the 30 seconds, the switch remains ON no matter how your finger touches. 2.Other delay time can be customized

Part Number:TS16H□YSS△▲

"△"			
1 LED		2 LED	
NR	Non-illum./Red	RG	Red/Green
NG	Non-illum./Green	RB	Red/Blue
NO	Non-illum./Orange	BG	Blue/Green
NB	Non-illum./Blue	WO	White/Orange
NW	Non-illum./White	GR	Green/Red
RN	Red/Non-illum.	BR	Blue/Red
GN	Green/Non-illum.	GB	Green/Blue
ON	Orange/Non-illum.	OW	Orange/White
BN	Blue/Non-illum.		
WN	White/Non-illum.		

"□"	Electrical function
10	NO Momentary
10Z	NO Latching
10T30	NO Latching delay 30s

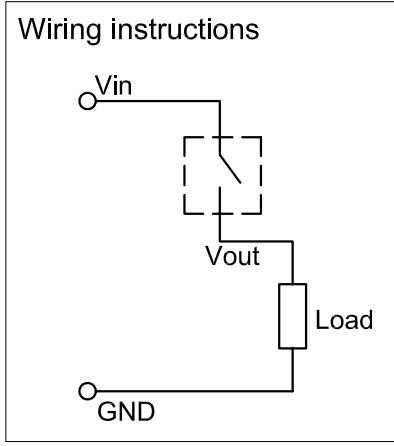
"▲"	LED volvate
05V	DC 5V
12V	DC 12V
24V	DC 24V

SPECIFICATIONS:

- 1.Max.Switch Rating: 500mA/24VDC.
- 2.Electrical Life: 50 Million cycles at full load.
- 3.Contact Resistance: ≤ 20mΩ.
- 4.Insulation Resistance: ≥10MΩ 600VDC.
- 5.Operating Temperature: -25°C ~ +55°C.
- 6.IK class: IK10.
- 7.IP class: IP68.

MATERIALS:

- 1.Body: Stainless steel.
- 2.Cable: UL1430 22AWG.



THESE DRAWINGS AND SPECIFICATIONS ARE THE PROPERTY OF ONPOW PUSH BUTTON MANUFACTURE CO.,LTD. AND SHALL NOT BE REPRODUCED COPIED OR USED IN ANY MANNER WITHOUT THE PRIOR WRITTEN CONSENT OF ONPOW PUSH BUTTON MANUFACTURE CO.,LTD.

红波按钮制造有限公司
ONPOW PUSH BUTTON MANUFACTURE CO.,LTD.

DIMENSIONS	TOLERANCE	SCALE	UNIT	DR.	DR.
0.00 TO 30.00mm	±0.20mm	1.2 / 1	mm	ZPD 2018/05/24	ZPD 2018/05/24
30.01 TO 80.00mm	±0.25mm				
80.01 TO 150.00mm	±0.30mm				
150.01 ↑	±0.40mm				

TITLE	Touch switch	SIZE	A4
DWG NO.	TS16H-NO	图号	TS16H-NO
FILE NAME	TS16H.DWG	SHEET	1 / 1
档案名称	TS16H.DWG	张	1 / 1
REV.	更改	REV.	更改
			1