

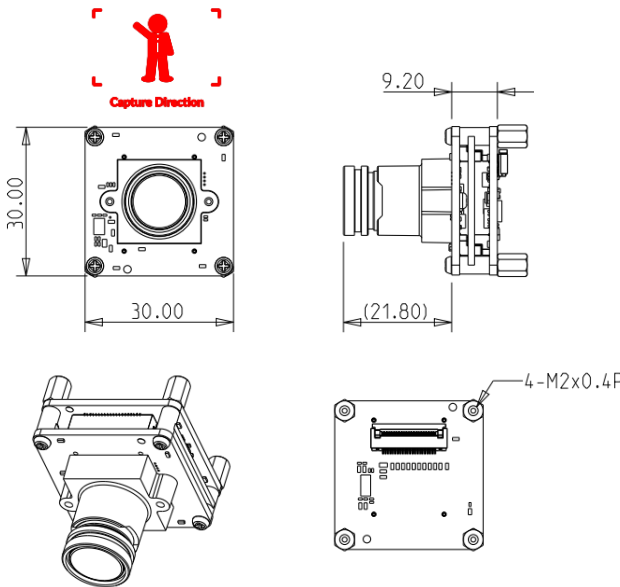
Features

- Max. Resolution: 4192 x 3120 (13MP) @ 20fps
- ISP inside, pixel binning, HDR
- Platform Support: INTEL, Nvidia Jetson, Xilinx
(For more information please contact our local sales)
- Complies with CE/FCC Class A

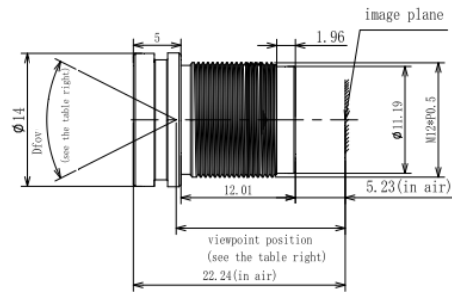
Resolution	FPS (MIPI 4 lanes)
4192 x 3120 (13MP)	20
3840 x 2160 (4K/8MP)	30
1920 x 1080 (FHD)	60

Mechanical Drawing

Mechanical Drawing



Lens Specification



Items	Specification
F no.	2
Focal length	4mm
Lens structure	1G4P
Mount	M12*P0.5

Headquarters (Taiwan)

5F., No. 237, Sec. 1, Datong Rd.,
Xizhi Dist., New Taipei City 221,
Taiwan
Tel: +886-2-7703-3000
Email: sales@innodisk.com

Branch Offices:

USA
usasales@innodisk.com
+1-510-770-9421

Europe
esusales@innodisk.com
+31-40-3045-400

Japan
jpsales@innodisk.com
+81-3-6667-0161

China
sales_cn@innodisk.com
+86-755-2167-3689

www.innodisk.com

© 2024 Innodisk Corporation.
All right reserved. Specifications
are subject to change without
prior notice.

April 23, 2024

Specifications

Max. Resolution	4192 x 3120 (13MP)
Output I/F	MIPI 22pins (4 lanes)
Power Consumption	Approximate 1W
Dimension (LxWxH)	30 x 30 x 45mm
Operating Temp.	-30°C ~ +70°C (main chip spec.)
CMOS Sensor	ONSEMI AR1335
Sensor Size	1/3.2"
Pixel Size	1.1um
Lens type	Fixed focus (M12)
Lens D/H/V FOV	91°/71°/52°
Platform Support	INTEL, Nvidia Jetson, Xilinx (For more information please contact our local sales)

22 Pin #	22 Pin Name	Usage/Description
1	GND	Ground
2	CAM_DO_N	CSI Data 0
3	CAM_DO_P	CSI Data 0
4	GND	Ground
5	CAM_D1_N	CSI Data 1
6	CAM_D1_P	CSI Data 1
7	GND	Ground
8	CAM_CK_N	CSI Clock
9	CAM_CK_P	CSI Clock
10	GND	Ground
11	CAM_D2_N	CSI Data 2
12	CAM_D2_P	CSI Data 2
13	GND	Ground
14	CAM_D3_N	CSI Data 3
15	CAM_D3_P	CSI Data 3
16	GND	Ground
17	CAM_PWDN	Camera Power-down
18	CAM_MCLK	Camera Master Clock
19	GND	Ground
20	CAM_SCL	I2C Clock (3.3V)
21	CAM_SDA	I2C Data (3.3V)
22	CAM_V3V	+3.3V

Order information

EVDM-OOM1-MMC1-C1

MIPI Fixed Focus Camera Module (MIPI cable included)
7W7000000060
MIPI CSI-2 FFC cable,15cm,22pins pitch 0.5mm



Cable appearance