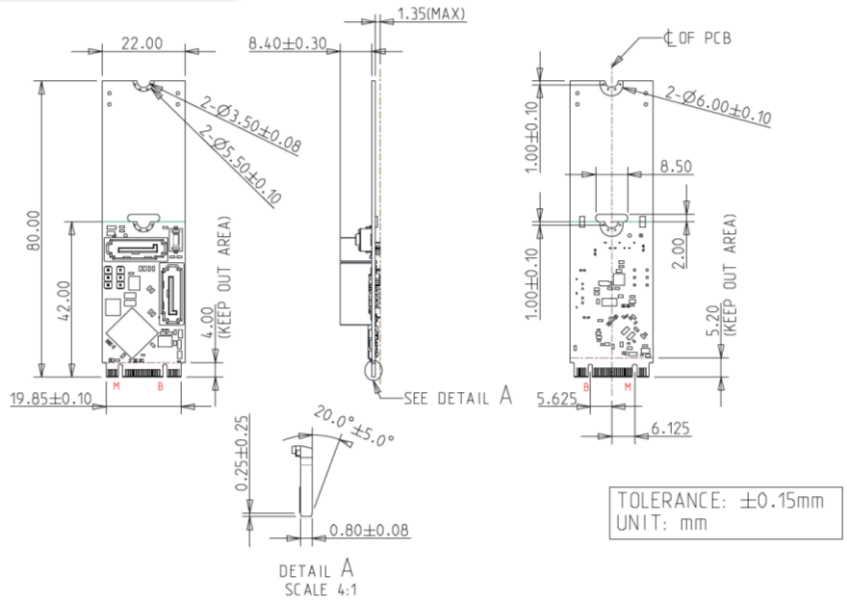


Features

- M.2 2242/2280 to dual SATA III ports.
- Supports SATA to dual SATAIII Port Multiplier.
- Supports H/W RAID 0/1 over SATA.
- Support Secure Boot.
- Supports AHCI, Port-Multiplier.
- 3 years warranty.
- Industrial design, manufacture in innodisk Taiwan.

Mechanical Drawing



Specifications

Form-Factor	M.2 2242/2280 B-M Key
Input I/F	SATA III
Output I/F	SATA III
Output Connector	SATA 7pin x 2
TDP	MAX: 1.27W (3.3V x 385mA)
Dimension (WxLxH)	C1: 22 x 42 x 11mm C2: 22 x 80 x 11mm
Temperature	Operation: 0°C ~ +70°C Storage: -55°C ~ +95°C
Environment	Vibration: 5G @7~2000Hz, Shock: 50G @ 0.5ms
Notes	1. RAID Mode Setting: [JP2:JP3] RAID0: 23:23, RAID1: 12:23, PM: 12:12 2. Press tact switch SW1 for reset.

Order information

EGSS-32R2-C1

M.2 2242 to Dual SATA III RAID Module

EGSS-32R2-C2

M.2 2280 to Dual SATA III RAID Module

Headquarters (Taiwan)

5F., No.237, Sec. 1, Datong Rd.,
Xizhi Dist., New Taipei City 221,
Taiwan

Tel: +886-2-7703-3000
Email: sales@innodisk.com

Branch Offices:

USA

usasales@innodisk.com
+1-510-770-9421

Europe

eusales@innodisk.com
+31-40-3045-400

Japan

jpsales@innodisk.com
+81-3-6667-0161

China

sales_cn@innodisk.com
+86-755-2167-3689

www.innodisk.com

© 2024 Innodisk Corporation.
All right reserved. Specifications
are subject to change without
prior notice.

January 18, 2024