

This product is completed the lead-free and RoHS.



DATA SHEET

Date : 2024. 05. 09.

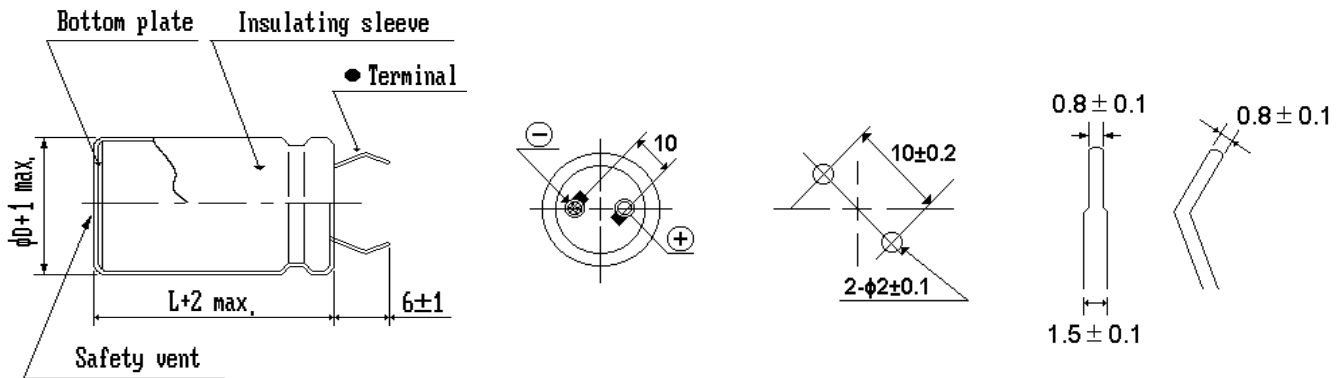
Drawing No. : SC-ARM2284

Aluminum Electrolytic Capacitors

Type-name : HE

Part No : HE 1V 109 M 30035 HA

Dimensions(mm)



ΦD	30
L	35

Dimensions of ΦD & L

Rated Voltage	35 V
Capacitance at 120Hz, 20°C	10000 μF
Tolerance at 120Hz, 20°C	-20~+20 %
Surge Voltage	44 V
Ripple current at 120Hz, 105°C	3.38 A rms
Leakage current after 5 minute	1774.8 μA
Equivalent series resistance(E.S.R) at 120Hz , 20°C	0.06 Ω
Dissipation factor (tan δ) at 120Hz , 20°C	0.44
Temperature range	-40 ~ +105 °C
Load life at 105°C	2000 hours
Shelf life at 105°C	1000 hours

Approved K. C. Eom *K. C. Eom*
 Technical team manager



SAMWHA ELECTRIC CO., LTD.