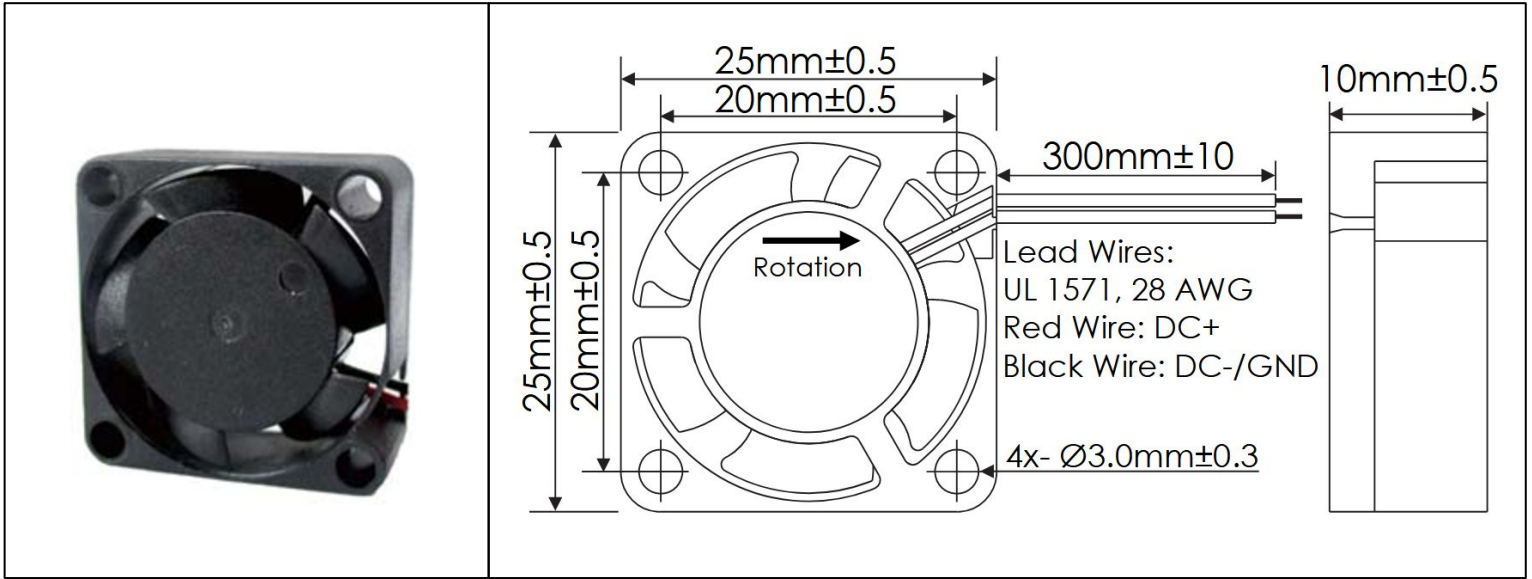


OD2510 Series



DC Fans - 5, 12, 24V
25mm x 10mm (1.38" x 0.39")



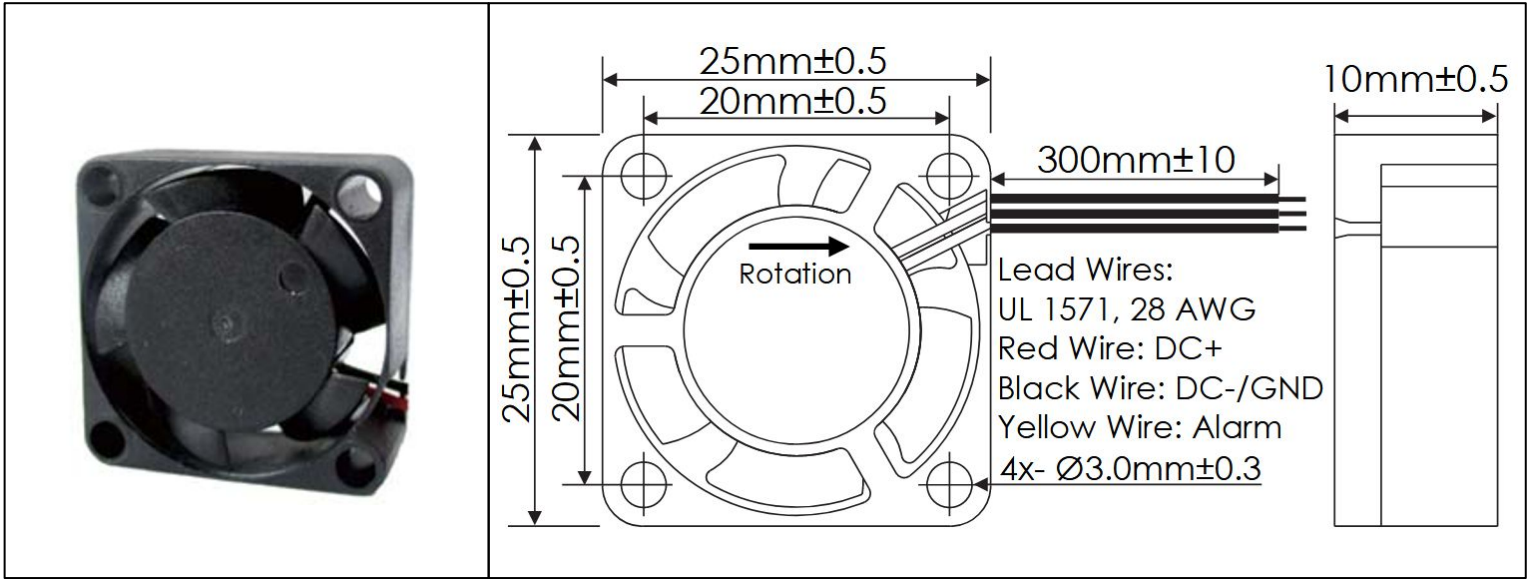
Frame	PBT, UL94 V-0 Plastic	<u>Operating Temperature</u> -20°C ~ +65°C <u>Storage Temperature</u> -20°C ~ +75°C <u>Life Expectancy</u> 70,000 Hours (L10 at 40°C) <u>Available Options</u> Tachometer Output Alarm Output PWM Speed Control Input IP Ratings Weight: 0.02 lbs.	
Impeller	PBT, UL94 V-0 Plastic		
Connection	2x Wire Leads, 28 AWG		
Motor	Brushless DC, Auto Cutoff, Auto Restart, Electronically Protected, Polarity Protected		
Bearing System	Ball Bearings		
Dielectric Strength	500VDC/min, <1mA		
Insulation Resistance	≥10M Ohm @ 500 VDC		

Part Number	Rated Voltage (Volts DC)	Voltage Range (Volts DC)	Input Power (Watts)	Rated Current (Amps)(~Max)	Rated Speed (RPM)	Max Airflow (CFM)	Noise Level (dBA)	Max Static Pressure ("H ₂ O)
OD2510-05HB	5	4.5 ~ 5.5	1.10	0.18 (~0.22)	11500	2.7	29.2	0.27
OD2510-05MB	5	4.5 ~ 5.5	0.75	0.12 (~0.15)	9250	2.0	24.4	0.20
OD2510-05LB	5	4.5 ~ 5.5	0.45	0.07 (~0.09)	6300	1.3	18.1	0.16
OD2510-12HB	12	11 ~ 13.8	0.72	0.03 (~0.06)	11500	2.7	29.2	0.27
OD2510-12MB	12	11 ~ 13.8	0.60	0.03 (~0.05)	9250	2.0	24.4	0.20
OD2510-12LB	12	11 ~ 13.8	0.48	0.02 (~0.04)	6300	1.3	18.1	0.16
OD2510-24HB	24	22 ~ 26	1.60	0.03 (~0.065)	11500	2.7	29.2	0.27
OD2510-24MB	24	22 ~ 26	0.96	0.02 (~0.04)	9250	2.0	24.4	0.20
OD2510-24LB	24	22 ~ 26	0.72	0.02 (~0.03)	6300	1.3	18.1	0.16

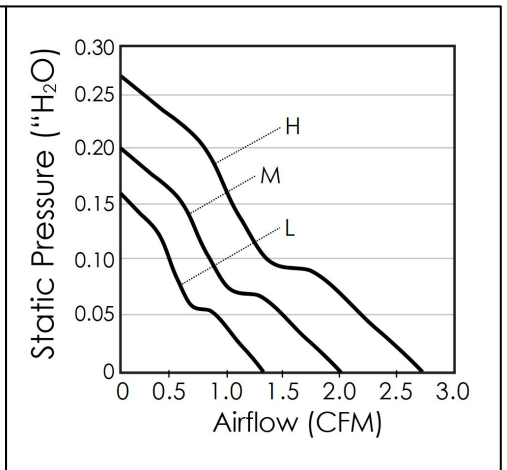
OD2510 Series with Alarm



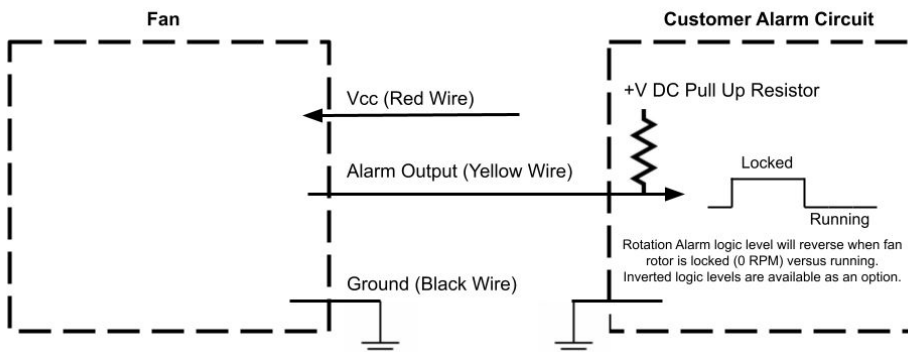
DC Fans - 12, 24V
25mm x 10mm (1.38" x 0.39")



Frame	PBT, UL94 V-0 Plastic	<u>Operating Temperature</u> -20°C ~ +65°C <u>Storage Temperature</u> -20°C ~ +75°C <u>Life Expectancy</u> 70,000 Hours (L10 at 40°C)
Impeller	PBT, UL94 V-0 Plastic	
Connection	3x Wire Leads, 28 AWG	<u>Installed Options</u> Open Collector Alarm
Motor	Brushless DC, Auto Cutoff, Auto Restart, Electronically Protected, Polarity Protected	
Bearing System	Ball Bearings	<u>Available Options</u> 5V TTL Alarm Output Inverted Alarm Logic
Dielectric Strength	500VDC/min, <1mA	
Insulation Resistance	≥10M Ohm @ 500 VDC	Weight: 0.02 lbs.



Part Number	Rated Voltage (Volts DC)	Voltage Range (Volts DC)	Input Power (Watts)	Rated Current (Amps)(~Max)	Rated Speed (RPM)	Max Airflow (CFM)	Noise Level (dBA)	Max Static Pressure (\"H ₂ O)
OD2510-12HB02A	12	11 ~ 13.8	0.72	0.03 (~0.06)	11500	2.7	29.2	0.27
OD2510-12MB02A	12	11 ~ 13.8	0.60	0.03 (~0.05)	9250	2.0	24.4	0.20
OD2510-24HB02A	24	22 ~ 26	1.60	0.03 (~0.065)	11500	2.7	29.2	0.27
OD2510-24MB02A	24	22 ~ 26	0.96	0.02 (~0.04)	9250	2.0	24.4	0.20



Alarm Max Pullup Voltage: Fan Vcc
 Alarm Max Sink Current: 5mA
 Alarm ACTIVE (0 RPM) State: HIGH