

FPC-7910

Robust Box PC with Intel® 6th & 7th Generation Core™ i7/i5/i3 Processor



| System | |
|------------------|---|
| CPU | Intel® 6 th & 7 th generation Core™ i7/i5/i3 processor in LGA1151 socket |
| Memory | 2 x 260-pin DDR4 SO-DIMM sockets, supporting 2133 MHz SDRAM up to 32GB |
| Chipset | Intel® H110 |
| Graphics | Integrated Intel® HD Graphics |
| ATA | 2 x Serial ATA ports with 600MB/s HDD transfer rate |
| LAN Chipset | 2 x Intel® WG1211AT GbE controllers 1 x Intel® WG1219LM GbE controller w/o iAMT |
| Watchdog Timer | 1~255 levels reset |
| I/O | |
| Serial Port | 4 x RS-232 ports via one DB-44 female connector. (COM1 and COM2 are RS-232 /422/485 configurable) |
| Selectable Poart | 1 x DB25 connector for DIO (8 in/8 out) port or LPT port (either one, default is DIO) |
| USB Port | 6 x USB 2.0 ports (Front side)* 4 x USB 3.0 ports (Rear side) |
| LAN | 3 x RJ-45 ports for GbE |
| Video Port | 1 x DB-15 female connector for Analog RGB |
| | 1 x HDMI |
| | 1 x DVI-D female connector for digital video output |
| Audio | Mic-in/Line-out |
| Expansion Bus | 1 x Mini-card socket interconnected with SIM card socket for optional Wi-Fi or LTE module (Full size) |
| | 1 x SIM socket/1 x CFast socket (outside accessible) |

Features

- Fanless Design
- Wide Range DC Power Input (9 ~36V)
- Various Video Interfaces (VGA + DVI-D+HDMI) supported
- TPM2.0 support
- Optional Wi-Fi or LTE Wireless Connectivity supported
- Rugged Design for Shock/Vibration Protection
- Memory support up to 32GB

Environmental

| | |
|--------------------|--|
| Operating Temp. | -20 ~ 55°C (-4 ~ 131°F), ambient w/ air flow, for 65W TDP CPU need to configure TDP to 35W via BIOS setting. |
| Storage Temp. | -40 ~ 85°C (-40 ~ 185°F) |
| Operating Humidity | 10 ~ 95% @ 55°C (non-condensing) |
| Vibration | 3 Grms/5~500Hz/random operation w/ SSD |
| Shock | Operating 40G (11ms), Non-operating 60G with SSD |

Qualification

| | |
|---------------|-----------------|
| Certification | CE, FCC Class A |
|---------------|-----------------|

Power Requirement

| | |
|-------------------|--|
| Power Input | DC 9~36V input (w/ 4-pin terminal block, combining remote power on/off switch) |
| Power Consumption | Max. 65W (w/o I/O card) |

Storage

| | |
|------|--|
| Type | 2 x 2.5" drive bays 1 x CFast socket, can be outside accessible |
|------|--|

Mechanical

| | |
|------------------------|--|
| Construction | Aluminum alloy |
| Mounting | Wall-mount |
| Weight | 4.2 kg (9.26 lb) |
| Dimensions (W x H x D) | 195 x 75 x 268 mm (7.68" x 3.54" x 10.55") |

OS Support

Windows 10 IOT (For 6th/7th Gen Intel CPU)
Windows 7 / Windows 8.1 (For 6th Gen Intel CPU)
Linux (Kernal 4.x)

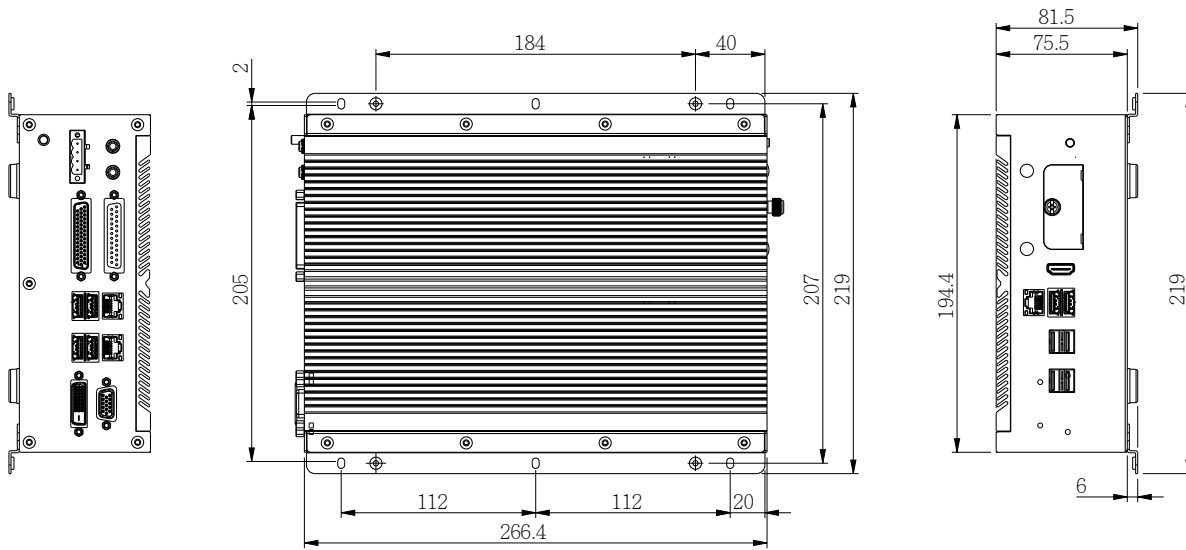
Ordering Information

| | |
|----------|-------------------------------|
| FPC-7910 | Fanless system w/o expansion. |
|----------|-------------------------------|

*Two of the USB ports are USB 3.0 connector but only USB 2.0 signal at front side.



Dimensions



Optional Accessories

| | | |
|-------------------|---|--|
| PAC-120W6B-FSP-ES | 120W AC/DC 19V adapter kit w/ 2-pin/3-pin/4-pin block | |
| CBL-7100-COM | 4 x COM ports converter cable | |
| WMK-7000 | Wall-mount kit for FPC-7XXX Series | |

Optional Configuration (CTOS* Kit)

| | | |
|-----------------|---|--|
| 240GB SSD | Intel® 2.5" 240GB SATAIII SSD kit | |
| MK-4C-4G | DDR4-2133 4GB SDRAM DIMM kit | |
| MK-4C-8G | DDR4-2133 8GB SDRAM DIMM kit | |
| MK-4C-16G | DDR4-2133 16GB SDRAM DIMM kit | |
| WiFi-AT4550 | Atheros, QCNFA324 WiFi module w/ 2*30cm internal wiring | |
| ANT-D11 | 1 x Wi-Fi dual-band 2.4G/5G antenna | |
| Core™ i7-7700T | Intel® 7 th Gen. Core™ i7-7700T processor, L2/8M, 2.9G | |
| Core™ i5-7500T | Intel® 7 th Gen. Core™ i5-7500T processor, L2/6M, 2.7G | |
| Core™ i3-7101TE | Intel® 7 th Gen. Core™ i3-7101TE processor, L2/3M, 3.4G | |
| Core™ i7-7700 | Intel® 7 th Gen. Core™ i7-7700 processor, L2/8M, 3.6G, need configure TDP to 35W | |
| Core™ i5-7500 | Intel® 7 th Gen. Core™ i5-7500 processor, L2/6M, 3.4G, need configure TDP to 35W | |

*CTOS means Configure-to-Order Service.