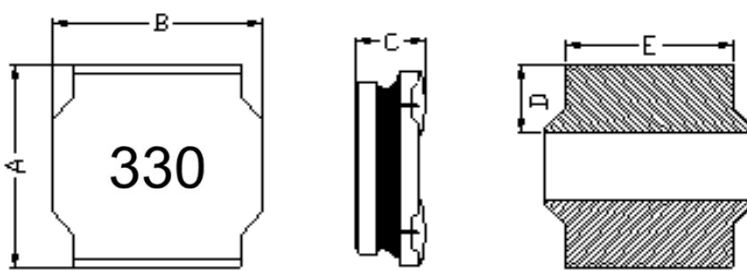


SPECIFICATION FOR APPROVAL

COMMODITY	SMD POWER COIL	SPEC NO.	SP-0190107029
ITEM	JNR 6045H-330M Green	版本：A	表單編號：QR-012-02

(1) DIMENSION: (UNIT: mm)		DIM.	TOL.	
	A	6.00	±0.3	
	B	6.00	±0.3	
	C	4.20	±0.3	
	D	1.90	±0.3	
	E	4.80	±0.3	

(2) ELECTRICAL CHARACTERISTIC	TEST INSTRUMENTS.	
INDUCTANCE	33 ± 20% μH	<input type="checkbox"/> AGILENT 4294A Precision Impedance Analyzer.
TEST FREQUENCY	1 MHz	<input type="checkbox"/> AGILENT 4285A Precision L.C.R. <input type="checkbox"/> HP-4286A RF L.C.R. Meter.
TEST VOLT	1 V	<input checked="" type="checkbox"/> ZENTECH 3302 Automatic Components Analyzer.
RDC	145 ± 20% mΩ	<input type="checkbox"/> ZENTECH 101 L.C.R. Meter. <input type="checkbox"/> WAYNE KERR 6420 Precision Impedance Analyzer.
Isat	2.50 (typ) A 2.10 (max)	<input checked="" type="checkbox"/> ZENTECH 1320 BIAS CURRENT.
Irms	1.80 (typ) A 1.50 (max)	<input checked="" type="checkbox"/> ZENTECH 502AC Resistance Merter. <input type="checkbox"/> ADEX AX-1155B DC Low Ohm Meter.

REMARK :

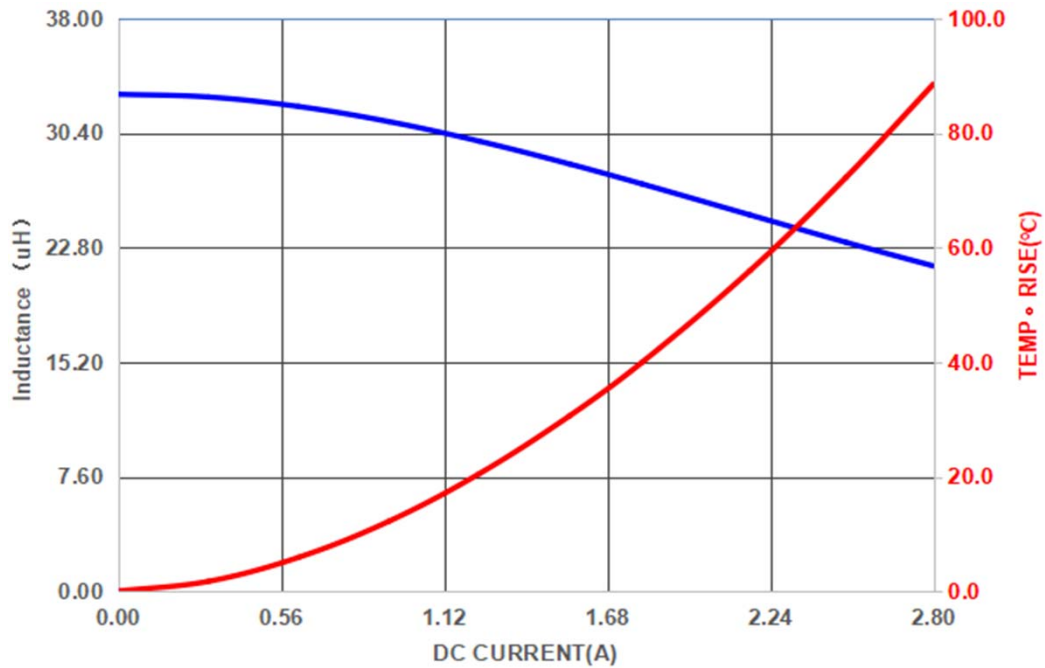
1. All test data referenced to 25°C ambient
2. Isat : Saturation Current (Isat) will cause L0 to drop approximately 30%.
3. Irms : Heat Rated Current (Irms) will cause the coil temperature rise approximately ΔT of 40°C

PURCHASER CONFIRMED	APPROVED	CHECKED	DRAWN
			

TEST REPORT

SPEC NO : SP-0190107029

Typical Performance Curves



Test Instrument :

ZENTECH 3302 Automatic Components Analyzer

ZENTECH 1320 BIAS CURRENT

Testing Condition :

Temperature : 25 to 28°C

Humidity : 60 to 70 % RH

Check by :



Test by :



TEL : 886-2-2689-4971 FAX : 886-2-2689-4260

E-mail : jantek@jantek-elec.com.tw

Web-Site : www.jantek-elec.com.tw