

# PT-M21WB-2500-G

21.5-inch LCD Fanless Stainless Panel PC with  
Intel® Coffee Lake Refresh Processor

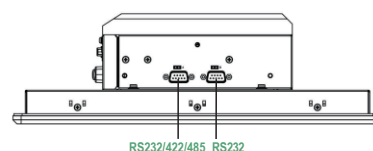
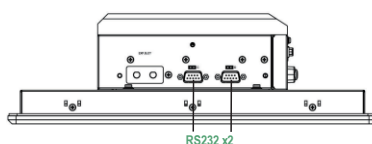
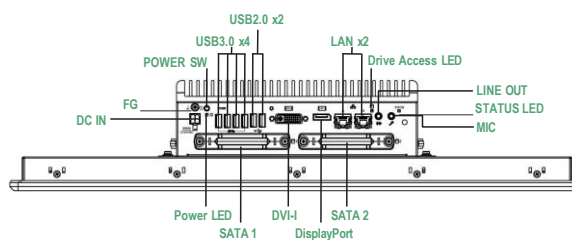


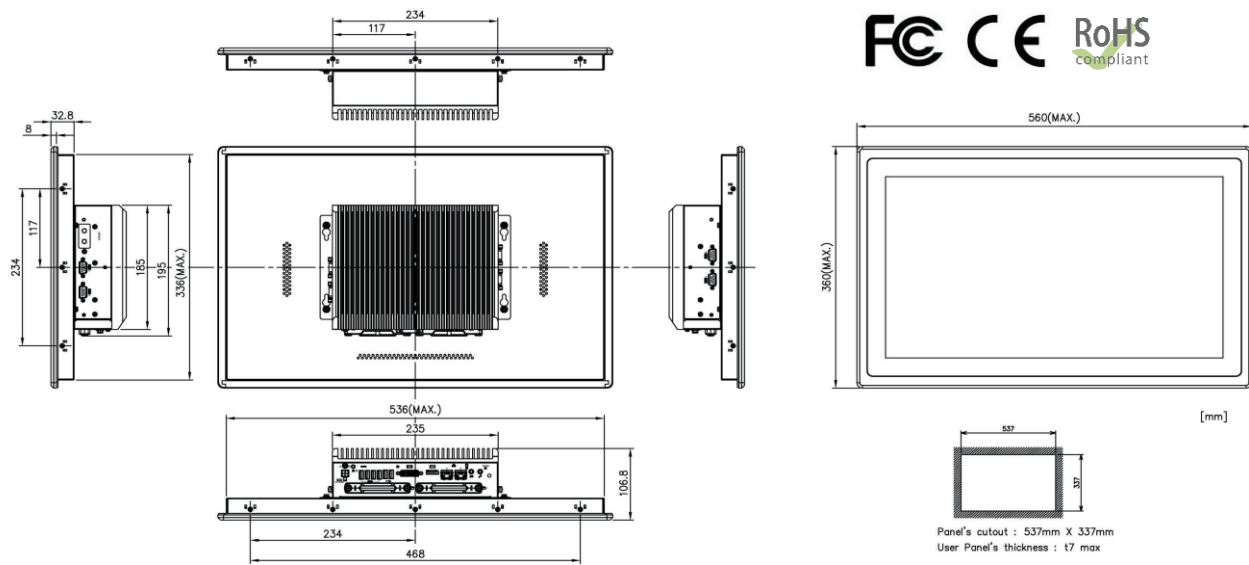
## Features

- Compatible with Intel® 9th Coffee Lake Refresh Platform
- IP66 + Stainless front panel design
- CPU built-in high-performance graphics
- Adopt removable storage
- Extend peripherals freely rich interface

## Optional Configuration

- DDR4-2666 Memory
- 2.5" HDD/SSD
- 16GB to 256GB M.2 key M 2242 SSD
- 120W/24V Power Supply
- VESA Mount (includes 6 VESA mount screws)
- Windows 10 IoT Enterprise LTSC 2019 (64bit)





**Specifications** **PT-M21WB-2500 Series**

<b>Model Name</b>	<b>CPU</b>	9th Generation Coffee Lake Refresh Intel® Core™ i7-9700TE Processor 9th Generation Coffee Lake Refresh Intel® Core™ i5-9500TE Processor 9th Generation Coffee Lake Refresh Intel® Core™ i3-9100TE Processor 9th Generation Coffee Lake Refresh Intel® Celeron® G4900T Processor
	<b>OS support</b>	Windows 10 IoT Enterprise 2019 LTSC (64bit)
	<b>Chipset</b>	Intel® C246 Controller Hub
	<b>System Memory</b>	DDR4-2666, 260-pin SO-DIMM x 2, Max. 32 GB (ECC support)
	<b>Graphics</b>	CPU Integrated Intel® HD Graphics
	<b>Display interface</b>	DP, DVI-I (DVI-D + VGA)
	<b>Storage Slot</b>	2 x 2.5" SATAHDD/ SSD (Removeable Bay) 1 x M.2 support key M/B 2242 SSD Intel® I219-LM(PHY) + Intel® I210-AT (Wake On LAN Support)
	<b>Audio</b>	Mic-in, Line-out
	<b>Super I/O</b>	NUVOTON NCT6106D
	<b>Expansion Slot</b>	1 x Full-Sized mini-PCI/e
<b>LCD Panel</b>	<b>Panel I/O Interface</b>	1x Mic-in and Line-out 24 x USB 3.2 Gen 2 3 x USB 2.0 1 x 4 PIN power jack 1 x Software-programmable RS-232 / 422 / 485 ports 3 x RS-232 D-Sub 9pin port 1 x Power button TPM 2.0, RAID (0,1), iAMT(11.0)
	<b>Power Input</b>	12-24V ( ±10%,DC10.8-26.4V) Wide Range DC Input with Terminal Block Connectivity
	<b>Power Adapter</b>	AC to DC, DC 24V/5A, 120W Adapter
	<b>Mounting</b>	Panel Mount/ VESA Mount 75x75 or 100x100 mm
	<b>Dimension (WxDxH)</b>	560 x 106.8 x 360 mm
	<b>Bezel &amp; Housing</b>	#304 stainless front bezel, metal back cover and chassis
	<b>Net Weight</b>	11.3 kg
	<b>Display Type</b>	21.5" TFT-LCD
	<b>Panel Ratio</b>	16:09
	<b>Max. Resolution</b>	1920 x 1080
<b>Environmental</b>	<b>Max. Color</b>	16.7M (8bit/color)
	<b>Brightness</b>	400 cd/m2
	<b>Viewing Angle</b>	178° (H) x 178° (V)
	<b>LED Backlight</b>	50,000 Hours
	<b>Contrast Ratio</b>	1000:1
	<b>Response Time</b>	8ms
	<b>Active Area</b>	476.06 (H) x 267.79 (V) mm
	<b>Front Bezel</b>	IP66-rated, #304 stainless front bezel
	<b>Touchscreen</b>	10 point P-CAP Touch
	<b>Operating Temperature</b>	0°C~50°C with Air Flow: 0.7 m/s (with Standard Temp. SSD) 0°C~50°C with Air Flow: 0.7 m/s (with Standard Temp. HDD)
<b>Ordering Guide</b>	<b>Storage Temperature</b>	-10°C~60°C
	<b>Humidity</b>	10%~90% RH (Non-condensation)
	<b>Floating dust Particles</b>	Not to be excessive
	<b>Corrosive Gases</b>	None
	<b>Line noise</b>	AC line/± 2kV Signal line/ ±1kV (IEC61000-4-4 Level 3, EN61000-4-4 Level 3)
	<b>Static Electricity Resistance</b>	Contact discharge/ ±4kV (IEC61000-4-2 Level 2, EN61000-4-2 Level 2) Air discharge/ ±8kV (IEC61000-4-2 Level 3, EN61000-4-2 Level 3)
	<b>Vibration Resistance</b>	HDD (Operating): IEC 60068-2-6 10~50Hz/4.9m/s2 (0.5G); 1oct/min, 1 cycle (10-50-10 Hz); 5 cycles X, Y, Z per axis (25 mins/axis) SSD (Operating): 10~ 57Hz/0.075mm(0-p); 57~ 150Hz/19.6m/s2 (1G); 5 cycles X, Y, Z per axis (40 mins/axis)
	<b>Shock Resistance</b>	IEC 60068-2-27 98m/s2 (10G)/ 11ms/ Half Sine; 3 times X, Y, Z per axis
	<b>Grounding</b>	Class D Grounding, SG-FG/ Continuity
	<b>Certification</b>	CE & FCC Class A
<b>PT-M21WB-2500-G604NA</b>	21.5 inch PCAP Touch Panel PC with Intel® Core™ i7-9700TE, DDR4 8G Memory	
<b>PT-M21WB-2500-G504NA</b>	21.5 inch PCAP Touch Panel PC with Intel® Core™ i5-9500TE, DDR4 8G Memory	
<b>PT-M21WB-2500-G404NA</b>	21.5 inch PCAP Touch Panel PC with Intel® Core™ i3-9100TE, DDR4 8G Memory	
<b>PT-M21WB-2500-G204NA</b>	21.5 inch PCAP Touch Panel PC with Intel® Celeron® G4900T, DDR4 8G Memory	

<b>PT-M21WB-2500-G604NA</b>	21.5 inch PCAP Touch Panel PC with Intel® Core™ i7-9700TE, DDR4 8G Memory
<b>PT-M21WB-2500-G504NA</b>	21.5 inch PCAP Touch Panel PC with Intel® Core™ i5-9500TE, DDR4 8G Memory
<b>PT-M21WB-2500-G404NA</b>	21.5 inch PCAP Touch Panel PC with Intel® Core™ i3-9100TE, DDR4 8G Memory
<b>PT-M21WB-2500-G204NA</b>	21.5 inch PCAP Touch Panel PC with Intel® Celeron® G4900T, DDR4 8G Memory