

PT-S2000LX

12.1-inch LCD Fanless industrial touch panel PC
with Intel® Core™ i ULV (Skylake)

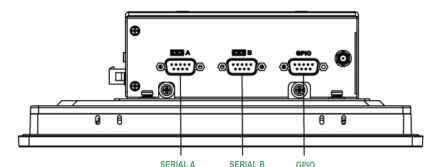
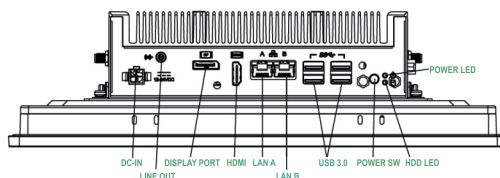


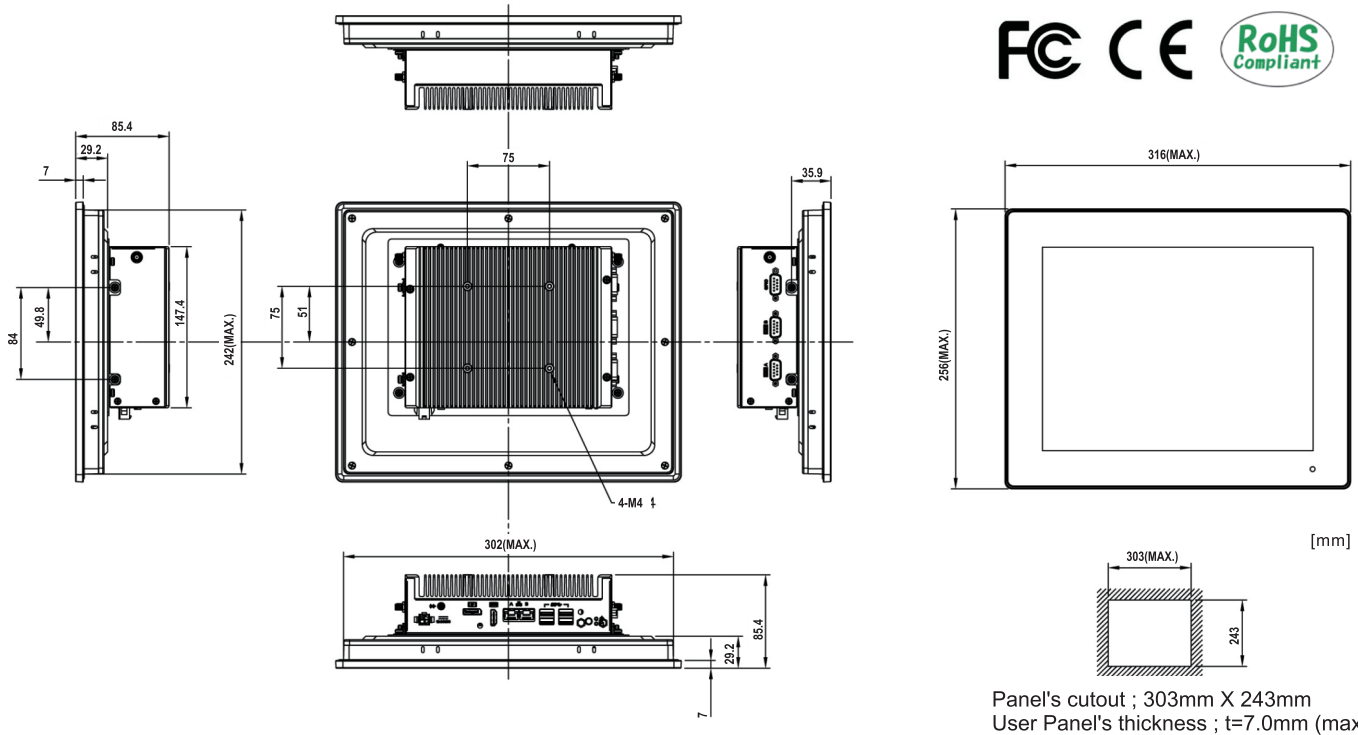
Features

- Intel® Skylake SoC base platform
- Silent fanless design with thinner chassis
- IP65 front panel for waterproof & dustproof applications
- 12.1" LCD with long-life touch screen and LED backlight for power saving
- Support 5-wire resistive
- Dual LAN, 2x COM, 4x USB 3.0, 1x GPIO, 1x HDMI, 1x DP and other rich expansion interface
- Wide range DC input

Optional Configuration

- 1x 2.5" SATA HDD/SSD
- 1x mSATA
- 1x M.2 E key 2230(PCIe / USB)
- 1x PCI Express Full-Length Mini Card slot
- AC adapter 19V/65W
- OS Win7 32/64-bit / Win10 64-bit





Specifications

System	CPU	6th Generation Skylake Intel® Core™ i ULV Processor (i5-6300U / Celeron 3955U)
	CHIPSET	Intel® SoC integrated
	SYSTEM MEMORY	DDR4 2133/2400, 260-pin SO-DIMM x 2, Max. 32 GB (Non-ECC)
	GRAPHICS	Intel® HD Graphics
	DISPLAY INTERFACE	DP, HDMI
	STORAGE SLOT	2.5" HDD/SSD x 1 (Default w/ SATA and SATA Power Cable in Accessories)
	ETHERNET	Intel® I219LM Giga LAN + I211AT Giga LAN
	AUDIO	Realtek ALC283 / AL256-CG
	I/O CHIPSET	Nuvoton NCT6104D
	EXPANSION SLOT	Storage:PCI Express Full-Length Mini Card slot (USB / PCIe / SATA) : mSATA x 1 Wireless: M.2 E key 2230 (PCIe / USB)
Power Requirement	SIDE I/O	GPIO x 1 (DB9 Connector) RS-232 x 1 RS-232/422/485 x 1 SMA Connector Mounting Hole
	REAR I/O	4 PIN Power Connector x 1 Audio Combo Jack (Mic-in and Line-out) x 1 DP x 1 HDMI x 1 RJ-45 x 2 USB 3.0 x 4 Power SW, HDD LED
	H/W MONITOR	Temperature Monitor, Voltage Monitor
Display	WATCHDOG TIMER	1~255 Steps by Software Program
	POWER INPUT	12~24V Wide Range DC Input w/ Terminal Block Connectivity
Touch Panel	POWER ADAPTER	AC to DC, DC19V/ 3.4A, 65W adaptor
	LCD PANEL	12.1", XGA(1024x768), 262k colors
Mechanical	LUMINANCE	600 dc/m2 (Typ.)
	TOUCH TYPE	5-wire resistive (Frame touch)
	MAXIMUM OPERATING FORCE	80g (R0.8 Touch Pen)
	CONNECTION	Internal USB connection
Environmental	THERMAL DESIGN	Fanless
	MOUNTING	Panel mount
	DIMENSIONS (W X D X H)	316 x 256 x 85.4 mm
	WEIGHT	3.7 kg
	MATERIAL	Top cover: Aluminum Alloy , Bezel and chassis: Steel
OS	OPERATING TEMPERATURE	0~50°C with 0.7m/s Air Flow (w/ Extended Temp. SSD/mSATA/RAM) 0~40°C with 0.7m/s Air Flow (w/ Standard Temp.)
	STORAGE TEMPERATURE	-10~60°C
	OPERATING HUMIDITY	10%~90% (Non-condensing)
	VIBRATION RESISTANCE	10Hz~150Hz / 1 Grms / 3 Axis (SSD operating)
	SHOCK RESISTANCE	10G / 3 Axis(SSD operating)
	CERTIFICATION	CE & FCC class A
	OS SUPPORT	Windows® 10 (64bit), Windows® 7 (32/64bit) English

Ordering Guide

- PT-S2000LX-DC28xxxxx 12.1 inch touch-panel PC with Intel® Celeron® 3955U, DDR4 8GB Memory, 2.5" SATA HDD/SSD
- PT-S2000LX-DC38xxxxx 12.1 inch touch-panel PC with Intel® Core™ i5-6300U, DDR4 8GB Memory, 2.5" SATA HDD/SSD