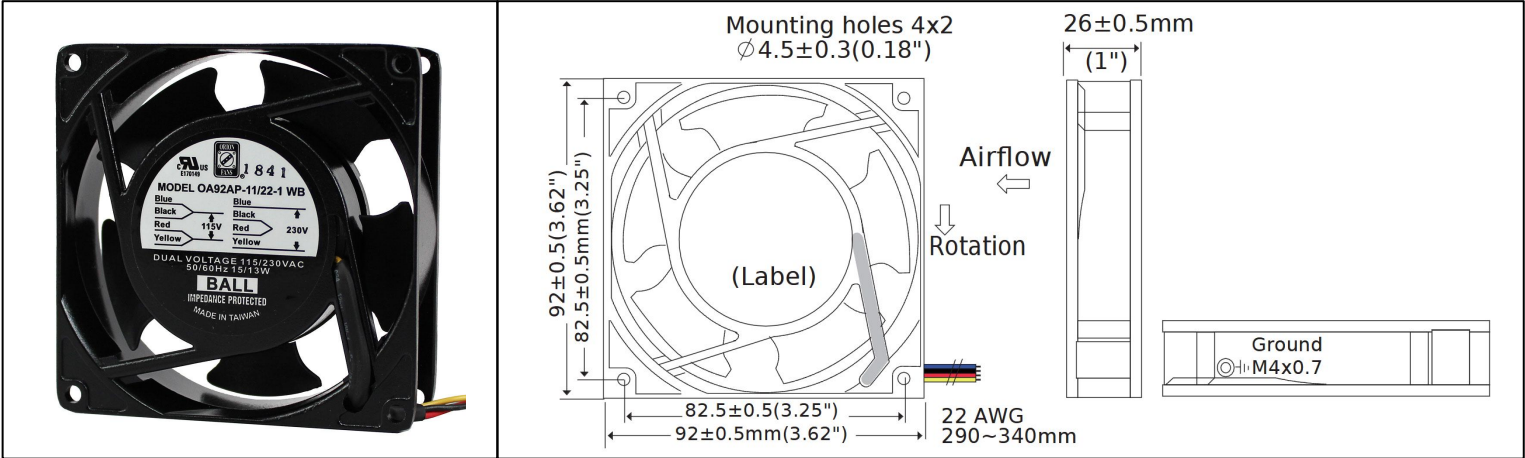


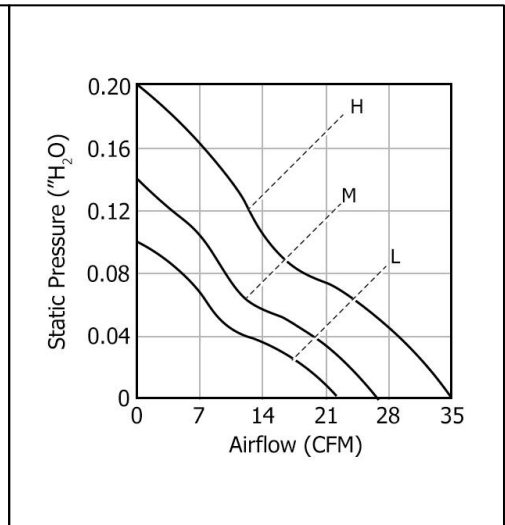
OA92AP Dual Voltage



AC Fan - 115V, 230V
92x92x25mm (3.6"x1.0")



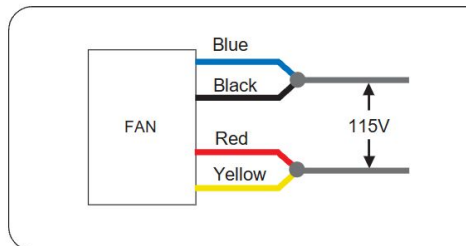
Frame	Die Cast Aluminum, Black Finish	Operating Temperature -20°C ~ +70°C Storage Temperature -40°C ~ +100°C Life Expectancy 80,000 hours (L10 at 45°C) Weight: 0.64 lbs m0
Impeller	PBT, UL94 V-0 plastic	
Connection	4x Lead wires, 22 AWG	
Motor	Inner Rotor, Shaded Pole Induction, Single Phase, Impedance Protected	
Bearing System	Dual Ball Bearings	
Dielectric Strength	1500VAC/min < 1mA	
Insulation Resistance	Over 100MΩ @ 500VDC Between Leadwires and Frame	



Part Number	Rated Voltage 50/60Hz	Input Power 50/60Hz	Voltage Range	Rated Speed (RPM) 50/60Hz	Airflow (CFM) 50/60Hz	Noise Level (dB) 50/60Hz	Max. Static Pressure (H ₂ O) 50/60Hz
OA92AP-11/22-1WB	115 / 230 VAC	15 / 13 W	100-120 / 200-240 VAC	2500 / 3000	30 / 35	30	0.16 / 0.20
OA92AP-11/22-2WB	115 / 230 VAC	12 / 10 W	100-120 / 200-240 VAC	2100 / 2300	25 / 27	22	0.13 / 0.14
OA92AP-11/22-3WB	115 / 230 VAC	8 / 6 W	100-120 / 200-240 VAC	1800 / 1900	21 / 22	19	0.09 / 0.10

*PQ Airflow Data specifications are for 60 Hz operation

Dual Voltage Wiring Diagram 115VAC



Dual Voltage Wiring Diagram 230VAC

