

TRIGGER AUDIO PLAYER S-TAP-K9-10W8OHM



Functionality

1. Support MP3 and WAV format audio playback
2. Comes with 8MB of memory, fast transmission speed, and can store about 8 minutes of audio files;
3. There is no need to install the host computer software or use a downloader. The USB cable is directly connected to the computer. You can copy voice content using your computer, it's simple and convenient:
4. Support one to one playback of 9 independent switches;
5. Support low level trigger, high level trigger, TTL serial port control, RS232 serial port control 485 control, wide range of applications:
6. Two channel stereo DAC 24bit decoding to ensure the fidelity of voice information;
7. Various playback modes can be set freely, including "power on loop playback", "triggered playback that can be interrupted/cannot be interrupted...", which has a wide range of applications!
8. Supports DC 6~35V wide voltage input, uses switching power supply to reduce voltage, and has low power consumption;
9. Comes with 10W power amplifier output, good sound quality, loud sound, built in adjustable potentiometer, loud volume Small adjustments at will, suitable for various occasions;
10. Comes with 3.5 headphone holder audio output, which can be connected to an external amplifier or speaker:
11. Supports external 12V police lights, the police lights flash while playing sound (extended function)

12. Support wireless remote control to control voice playback (extended functions require additional devices);
13. Designed according to industrial grade standards and has strong anti-interference ability.

Parameter

1. Working voltage: DC6V~35V
2. Rated output power: 10W/8 Ohm
3. Audio format: MP3, WAV
4. Standby current: 15MA
5. Maximum working current: 1000MA
6. Working environment temperature: -40 ~ +85C industrial grade standard
7. Working environment humidity: 10% ~ 90%

Applications

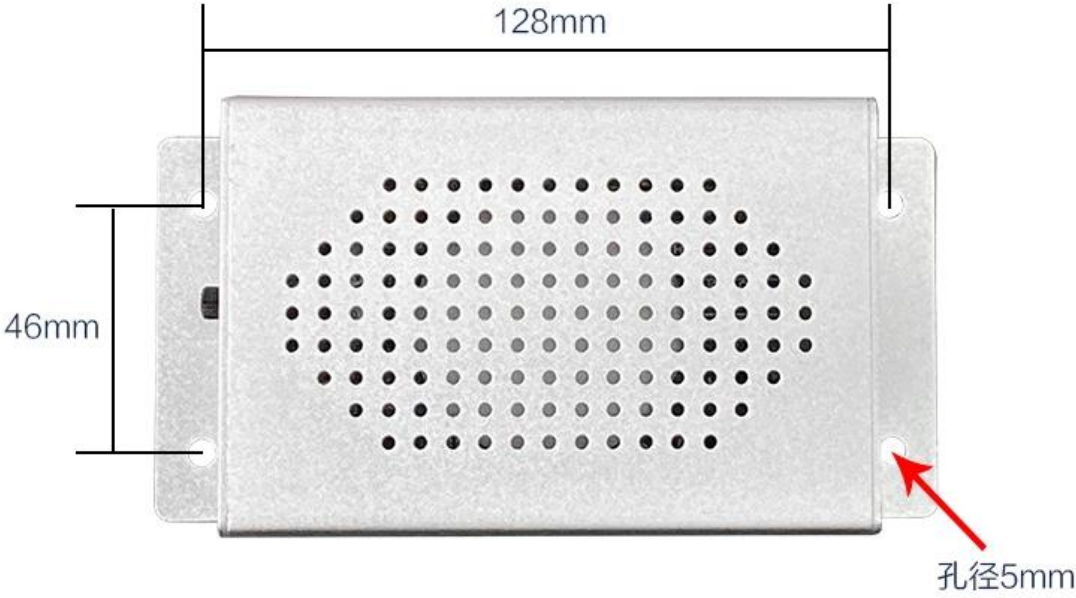
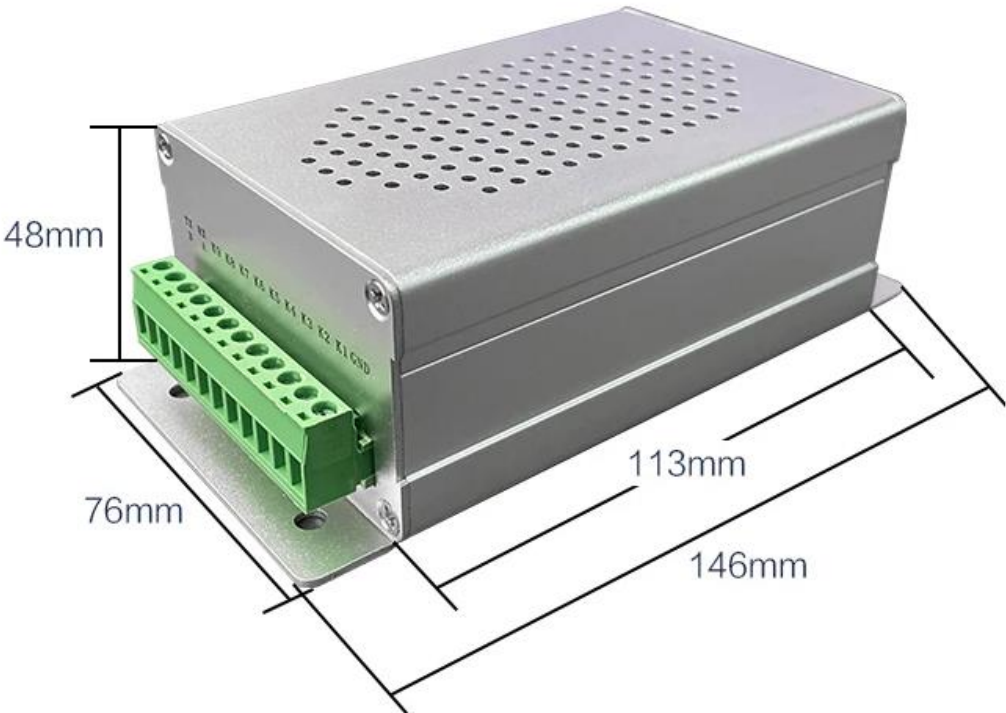
Vehicle safety voice broadcast: Highway transportation inspection, toll station voice prompts: Voice prompts for security checks at railway stations, bus stations, and airports: electricity, communications, and financial camps Business hall voice prompts; vehicle entry and exit channel verification voice prompts; multi-channel voice warnings or settings

Operation guidance voice prompts: Access control voice prompts: Mechanical and electrical equipment failure voice alarms: Fire voice alarm prompts; automatic broadcast equipment, scheduled broadcasts, etc.



1. Power input: DC 6~35V, V+ to Power+, V- to Power-;
2. 12V Output: Input voltage higher than 12V output when playing, 12V output to connect external alarm, motor, relay;
3. Volume adjust knobs, Rotate, the volume is lower, Clockwise, the volume is higher;
4. USB interface: Connect to PC to load sound. Support U disk too. When the U disk is inserted, the sound in the U disk will be played by default;
5. Audio output: can be connected to external speakers or amplifiers;
6. LED: power indicator (red LED), playback indicator (blue LED);
7. Control line terminal: 9CH trigger/RS232 serial port/RS485 control;

Dimensions

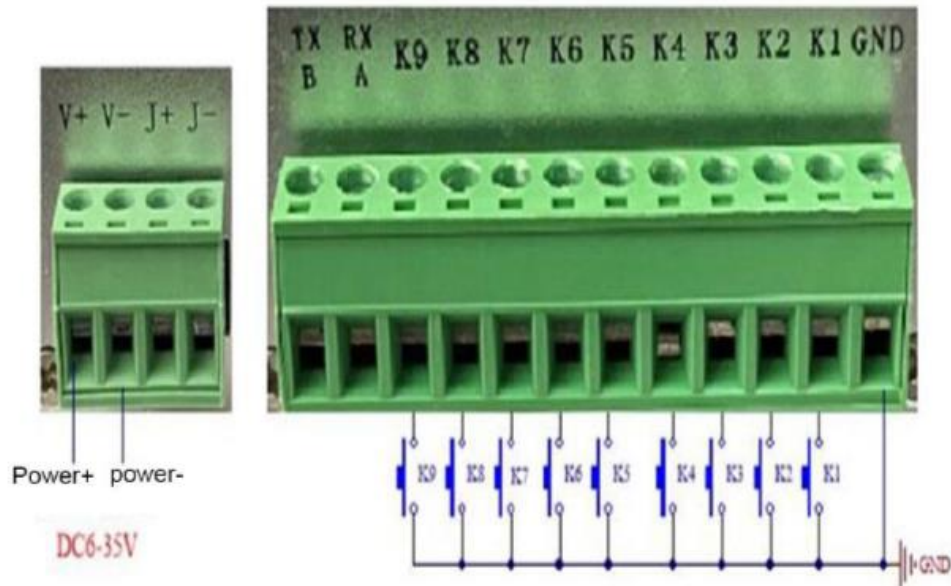


Trigger version

Low level trigger

K1-K9 respectively correspond to: 00001-00009 voice files

Which port receives a low-level signal will play which sound.

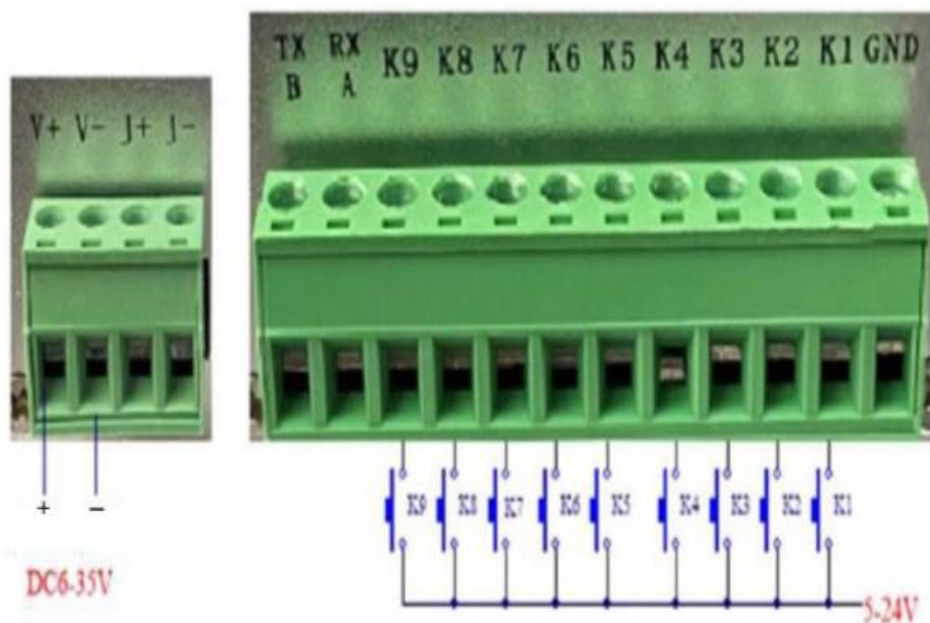


High level trigger

K1-K9 respectively correspond to: 00001-00009 voice files.

Which port receives a low-level signal will play which sound.

High-level voltage 5-24V can trigger

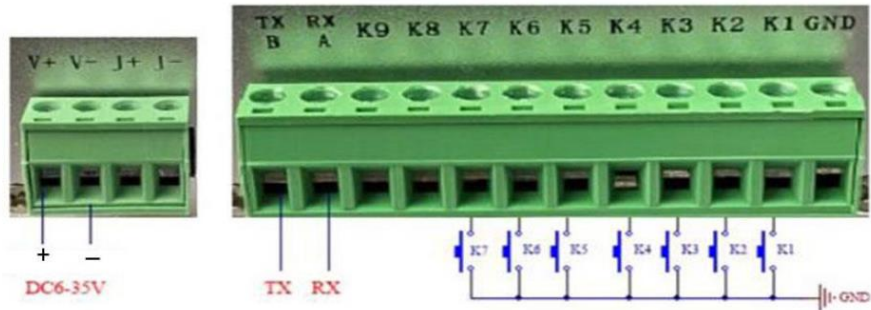


TTL serial port

K1-K7 respectively correspond to: 00001-00007 voice files.

Which port receives a low-level signal will play which sound.

TX and RX are controlled through TTL serial port.

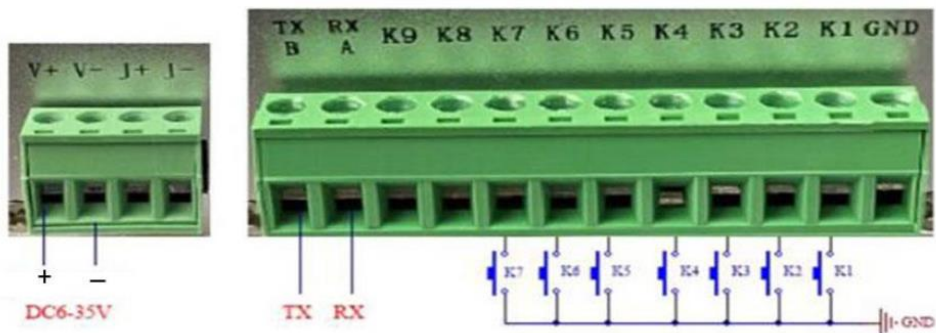


RS232 serial port

K1-K7 respectively correspond to: 00001-00007 voice files.

Which port receives a low-level signal will play which sound.

TX and RX are controlled through 232 serial port.



485/Modbus control

K1-K7 respectively correspond to the voice files of: 00001-00007.

Which port receives a low-level signal will play which sound.

