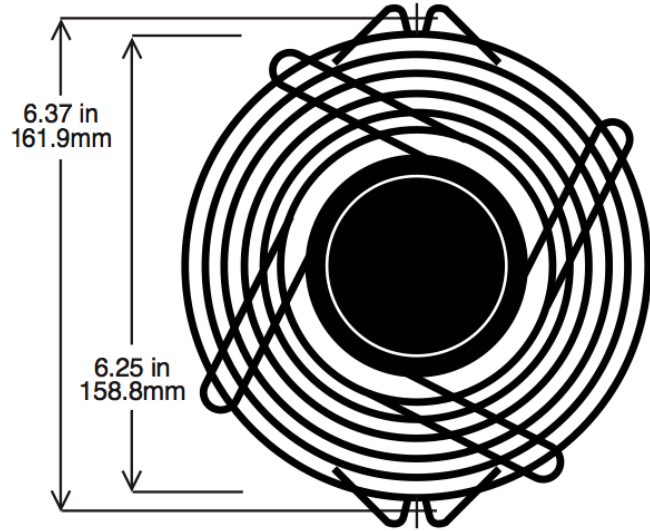


# Part No. G162-12



Fan Guard for  
162/172 mm Fan



### NOTES:

- 1. MATERIAL: C1008 BRIGHT BASIC WIRE
- 2. FINISH: BRIGHT NICKEL CHROME
- 3. RINGS: 1.6MM dia. / RIBS:1.6MM dia
- 4. WELDS TO WITHSTAND 88LBS PULL FORCE
- 5. GENERAL TOLERANCE UNLESS NOTED +/-0.5MM
- 6. PART MEETS 6.35MM PLUG GAUGE TEST
- 7. UNIT: MM

Part Number	Description
G162-12	162/172 mm fan guard, metal

Matching Fan Series  
OA162, OA172 , OD172, OA5920