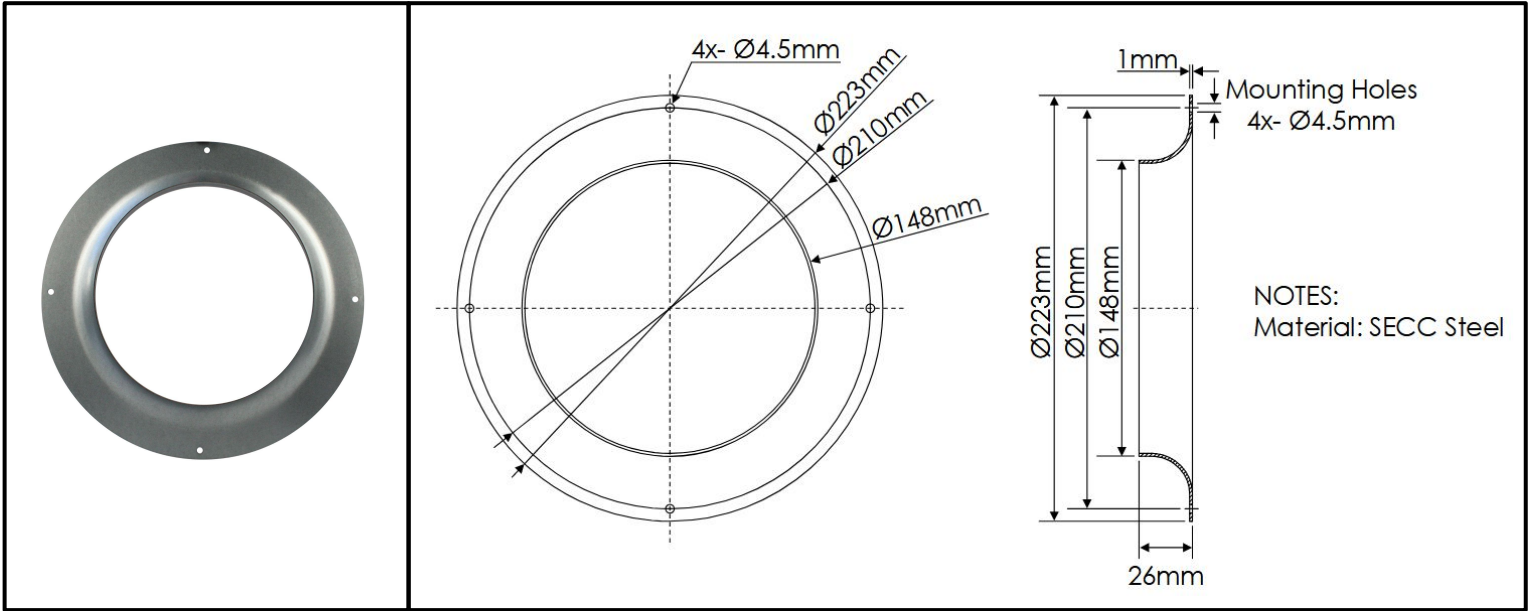


DR22025D



Duct Ring for OAB220 and ODB220 Blowers
220mm x 26mm (8.66" x 1.02")



Material	SECC Steel
Mounting Holes	4 Holes, \varnothing 4.5mm
Compatible Blowers	OAB220, ODB220xx