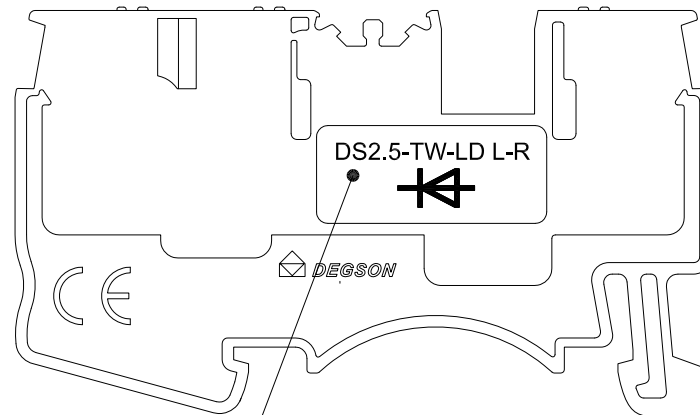
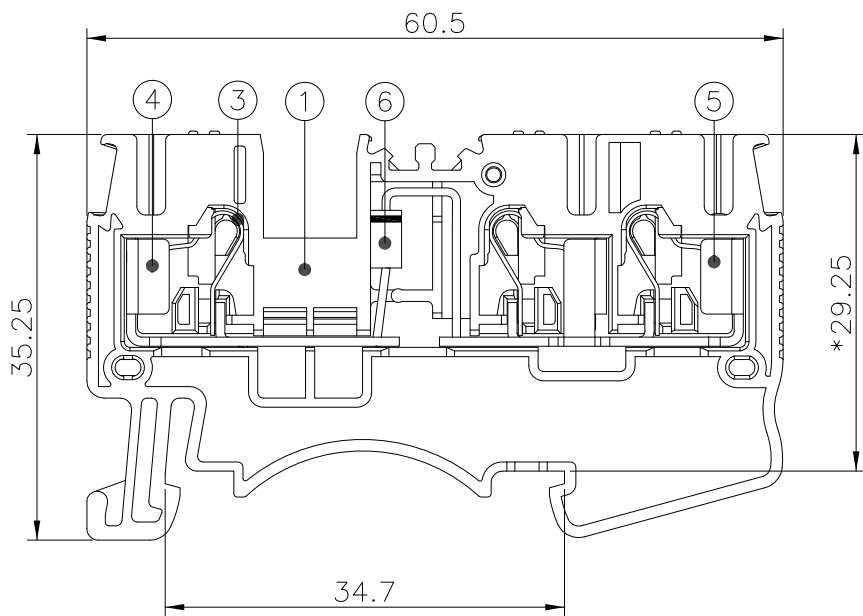
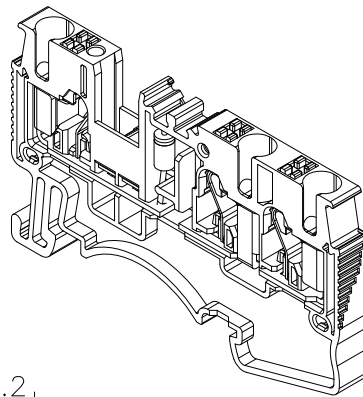
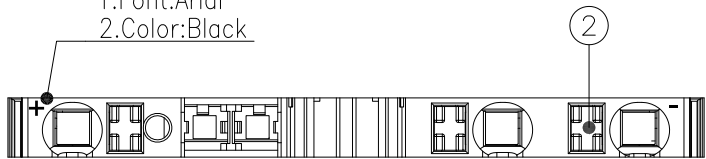


未注公差/General tolerances(mm)														
0	>3	>6	>10	>18	>30	>50	>80	>120	>180	>250	>315	>400	>500	0.1/10 ±2'
~	~	~	~	~	~	~	~	~	~	~	~	~	~	
±0.12	±0.18	±0.22	±0.26	±0.31	±0.37	±0.57	±0.80	±0.93	±1.05	±1.15	±1.60	±2.20	±2.50	
额定电压/电流/Rated Voltage(V)/Current(A)												300/1A		
最大逆向电压/Reverse Voltage(KV)												1.3		
线径范围(硬线和软线)/Wire Range(rigid and flexible)(AWG/mm ²)												26-12/0.2-2.5&4(sol)		
间距/Pitch(mm)												5.2		
剥线长度/Stripping length(mm)												10-12		
使用温度范围/Operating temperature(°C)												-40~+105		
符合RoHS环保要求/Conform to RoHS												Yes		

1.Font:Arial
2.Color:Black



1.Font:Arial
2.Color:Black

6	Diode	/	/
5	Current_carrier 2	Copper	Sn Plated
4	Current_carrier 1	Copper	Sn Plated
3	Spring	Stainless steel	/
2	Button	PA66	UL94 V-0
1	Housing	PA66	UL94 V-0
ITEM	NAME OF PART	MATERIAL	NOTES

		MATERIAL: /		SURFACE: /	
APPD: LiGL		2021.08.16		MAT. NO./REV: /	
C.HKD: MoEK		2021.08.12		MAT. STATUS: /	
DRFT: MIS		2021.08.12		NAME	
DRAWING NO.		/		DS2.5-TW-LD L-R-01P-IY-00A(H)	
TYPE		CUSTOMER DRAWING		DRAWING STATUS	
SCALE		2:1		SHEET	
/		/		/	

00	/	/	MIS	2021.08.12
REV	ECN	DESCRIPTION	DRFT	DATE

A
B
C
D

Transfer or Distribution of this document is well as the utilization or reproduction of its contents are prohibited unless as authorized in writing. All rights reserved for patent, trademark or design registrations. 未经授权，不得复制或传播。非经书面授权，不得复制或传播。保留所有权利。