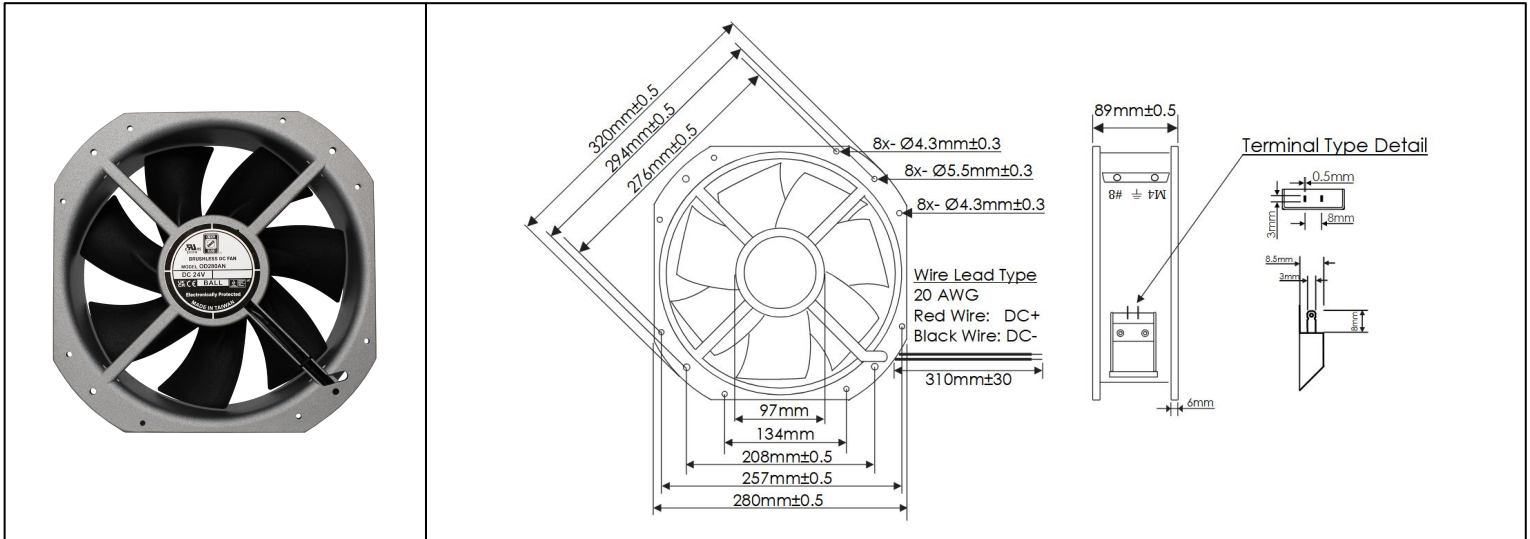


OD280AN Series



DC Fans - 12, 24, 48V
280mm x 89mm (11.1" x 3.50")



Frame	Die Cast Aluminum, Natural Finish	Operating Temperature -20°C ~ +65°C	
Impeller	PBT, UL94 V-0 Plastic	Storage Temperature -20°C ~ +75°C	
Connection	2x Wire Leads, 20 AWG, or Terminals	Life Expectancy 85,000 Hours (L10 at 35°C)	
Motor	Brushless DC, Auto Cutoff, Auto Restart, Electronically Protected, Polarity Protected	Available Options PWM Speed Control Input Thermal Speed Control Input Tachometer Output Alarm Output IP Ratings	
Bearing System	Ball Bearings	Weight: 6.2 lbs.	
Dielectric Strength	500VDC/min, <1mA		
Insulation Resistance	≥10M Ohm @500 VDC		

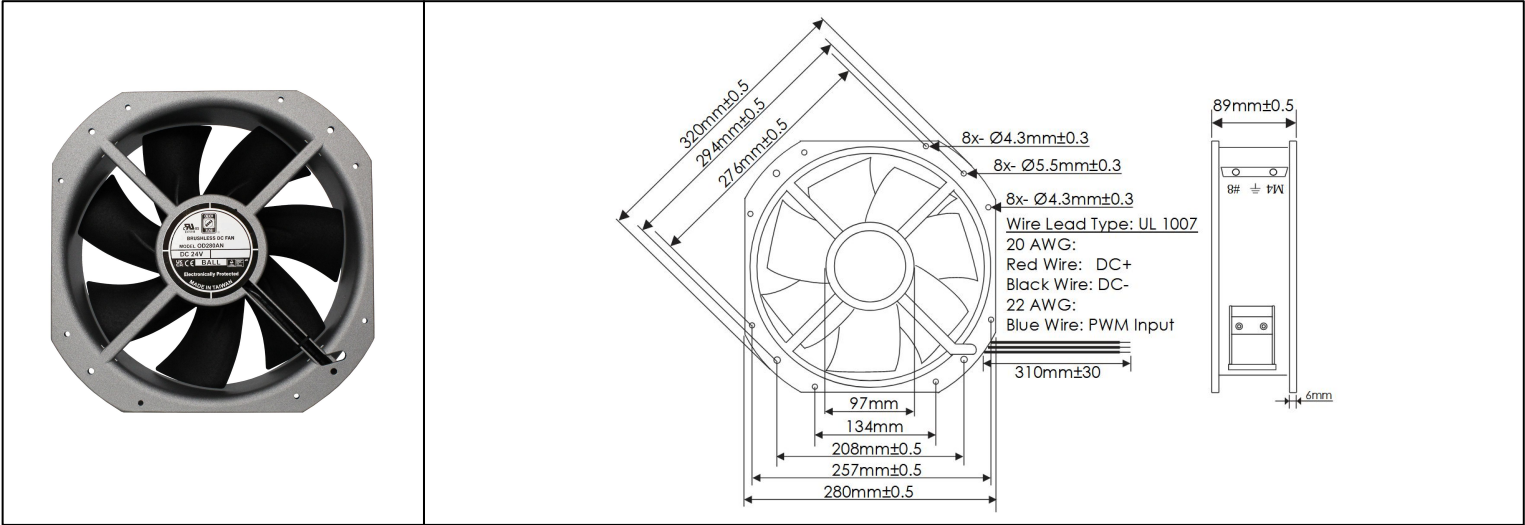
Part Number	Rated Voltage (Volts DC)	Voltage Range (Volts DC)	Input Power (Watts)	Rated Current (Amps)	Rated Speed (RPM)	Max Airflow (CFM)	Noise Level (dBA)	Max Static Pressure ("H ₂ O)
OD280AN-12M**	12	11 ~ 13.8	90	7.50	2150	1050	56	0.65
OD280AN-12L**	12	11 ~ 13.8	50	4.20	1800	865	48	0.55
OD280AN-24H**	24	22 ~ 26.4	105	4.35	2400	1180	72	0.90
OD280AN-24M**	24	22 ~ 26.4	60	2.45	2150	1050	56	0.65
OD280AN-24L**	24	22 ~ 26.4	27	2.20	1800	865	48	0.55
OD280AN-48H**	48	45 ~ 52.0	106	2.20	2400	1180	72	0.90
OD280AN-48M**	48	45 ~ 52.0	60	1.20	2150	1050	56	0.65

** Substitute "TB" for Terminal connection type, or "B" for Lead Wire connection type.

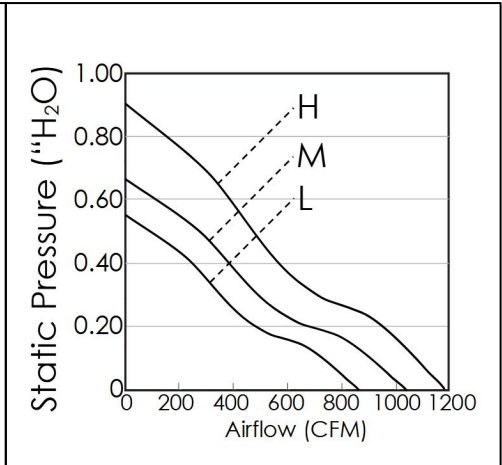
OD280AN Series with PWM



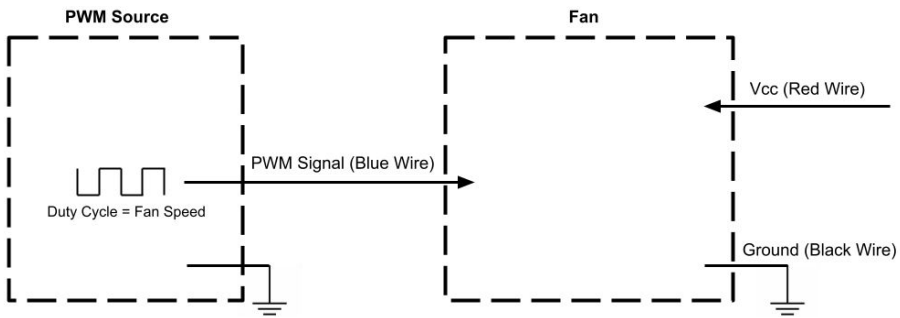
DC Fans - 12, 24, 48V
280mm x 89mm (11.1" x 3.50")



Frame	Die Cast Aluminum, Natural Finish	Operating Temperature -20°C ~ +65°C
Impeller	PBT, UL94 V-0 Plastic	Storage Temperature -20°C ~ +75°C
Connection	3x Wire Leads, UL 1007, 20/22 AWG	Life Expectancy 85,000 Hours (L10 at 35°C)
Motor	Brushless DC, Auto Cutoff, Auto Restart, Electronically Protected, Polarity Protected	Installed Options PWM Speed Control Input
Bearing System	Ball Bearings	Available Options 0-10V Speed Control Input
Dielectric Strength	500VDC/min, <1mA	Weight: 6.2 lbs.
Insulation Resistance	≥10M Ohm @500 VDC	



Part Number	Rated Voltage (Volts DC)	Voltage Range (Volts DC)	Input Power (Watts)	Rated Current (Amps)	Rated Speed (RPM)	Max Airflow (CFM)	Noise Level (dBA)	Max Static Pressure (H ₂ O)
OD280AN-12MB05	12	11 ~ 13.8	90	7.50	2150	1050	56	0.65
OD280AN-12LB05	12	11 ~ 13.8	50	4.20	1800	865	48	0.55
OD280AN-24HB05	24	22 ~ 26.4	105	4.35	2400	1180	72	0.90
OD280AN-24MB05	24	22 ~ 26.4	60	2.45	2150	1050	56	0.65
OD280AN-24LB05	24	22 ~ 26.4	27	2.20	1800	865	48	0.55
OD280AN-48HB05	48	45 ~ 52.0	106	2.20	2400	1180	72	0.90
OD280AN-48MB05	48	45 ~ 52.0	60	1.20	2150	1050	56	0.65



PWM Max High Voltage: 5V
 PWM Max Sink Current: 5mA
 PWM Frequency Range: 1KHz-100KHz
 PWM Typical Frequency: 25KHz
 RPM at 0% Duty Cycle: 0 RPM
 RPM will be full speed if PWM input is disconnected.